



Model Number

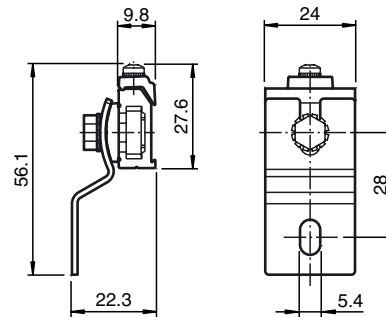
OMH-SLCT-04

Mounting bracket including adjustment (with loose bearing)

Features

- Mounting bracket
- Simple and fast mounting

Dimensions



Technical data

General specifications

Setting angle $\pm 7^\circ$

Mechanical specifications

Material Aluminum
 Mass approx. 34 g

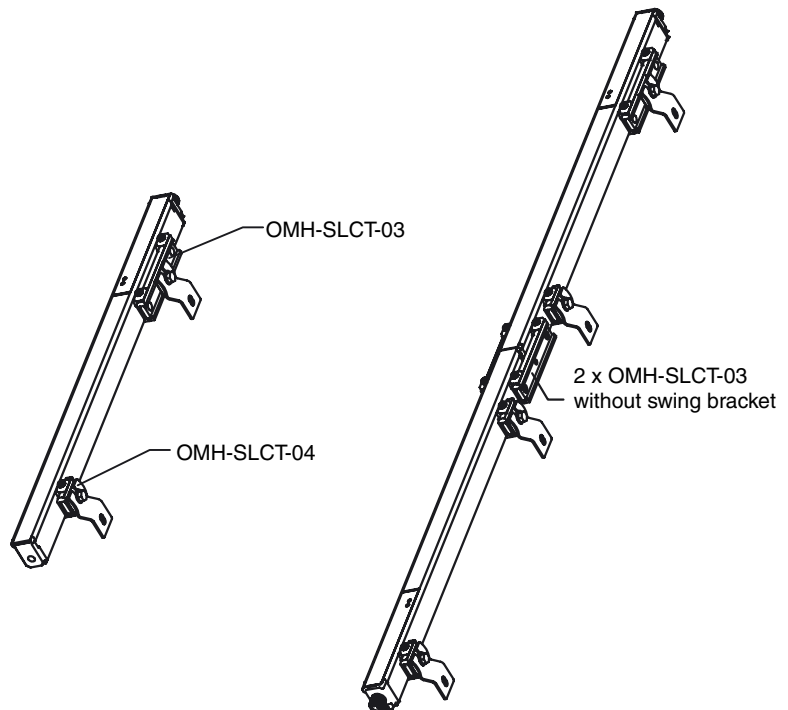
General information

Scope of delivery Mounting bracket ; 1 Slotted plate ; 4 T-slides ; Screw kit ; Screwdriver

Suitable series

Safety Series SLCT
 SLCS

Mounting note

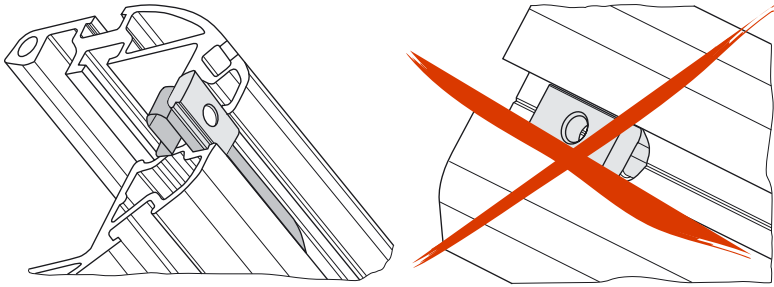


Slotted plate mounting aid

Each package comes with a slotted plate.
 To prevent the t-slides from clipping into the upper hole, cover the hole with the slotted plate.

Release date: 2017-09-27 16:45 Date of issue: 2017-09-27 205993_eng.xml

Then slide the t-slides into the guide.



Release date: 2017-09-27 16:45 Date of issue: 2017-09-27 205993_eng.xml