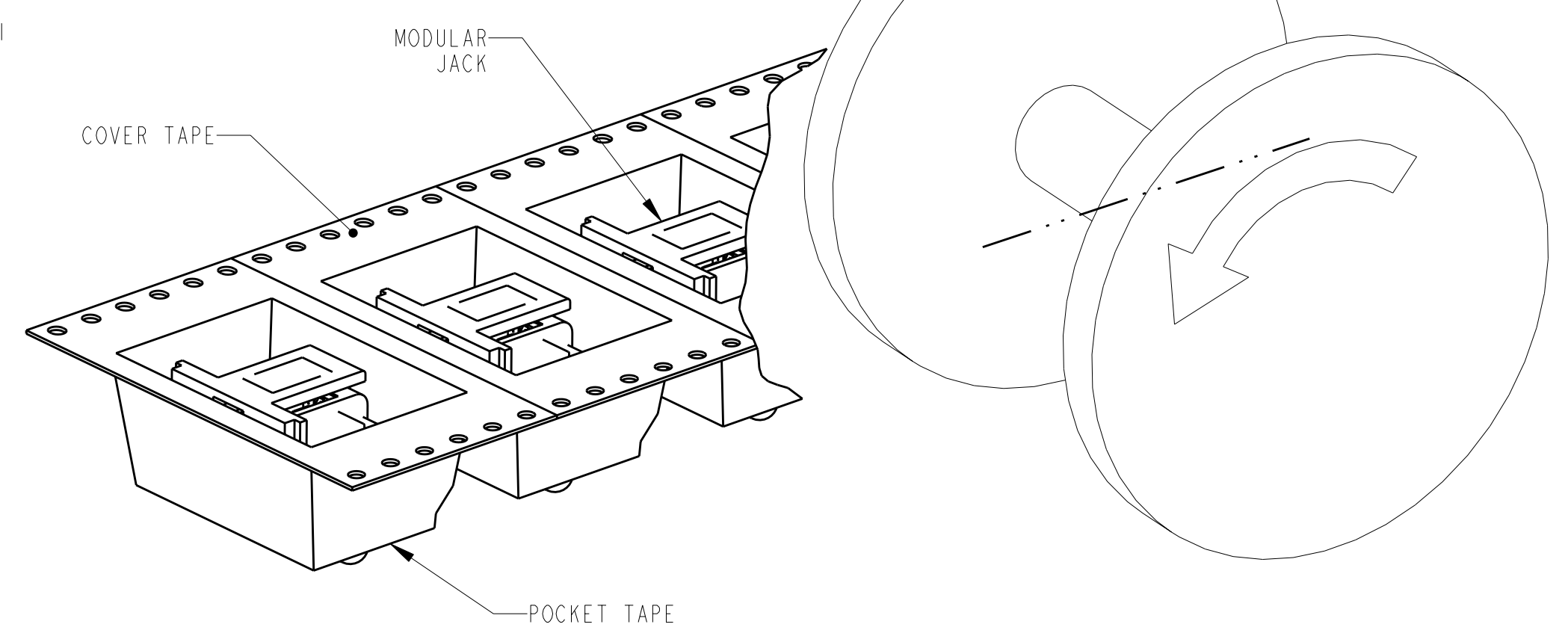
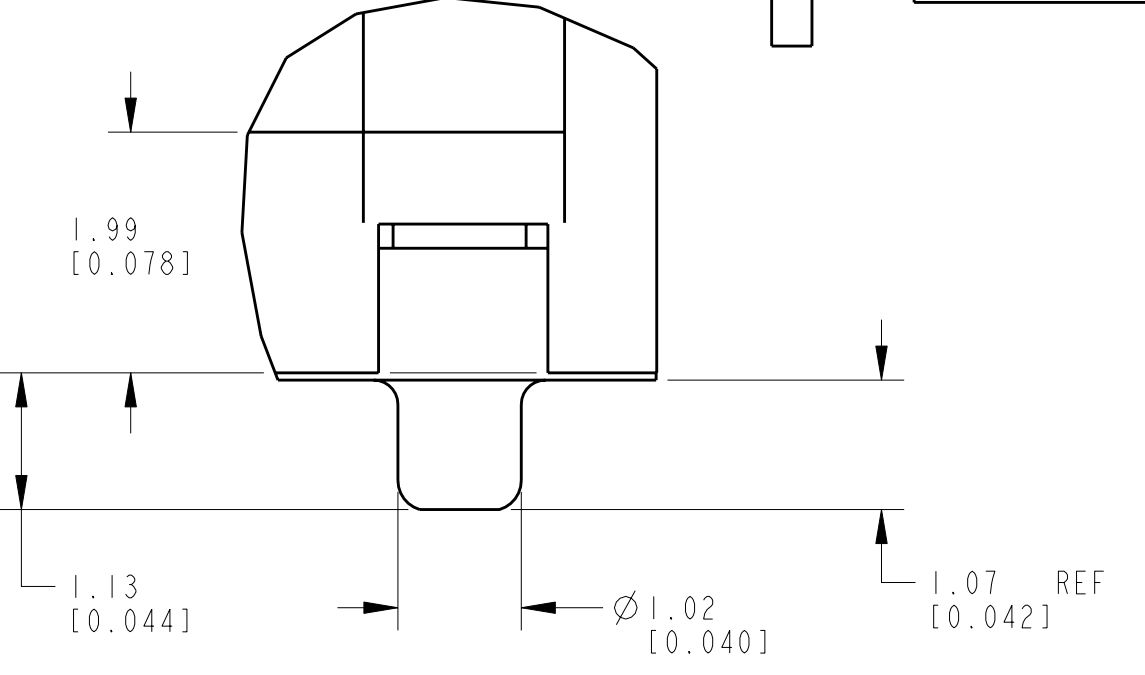
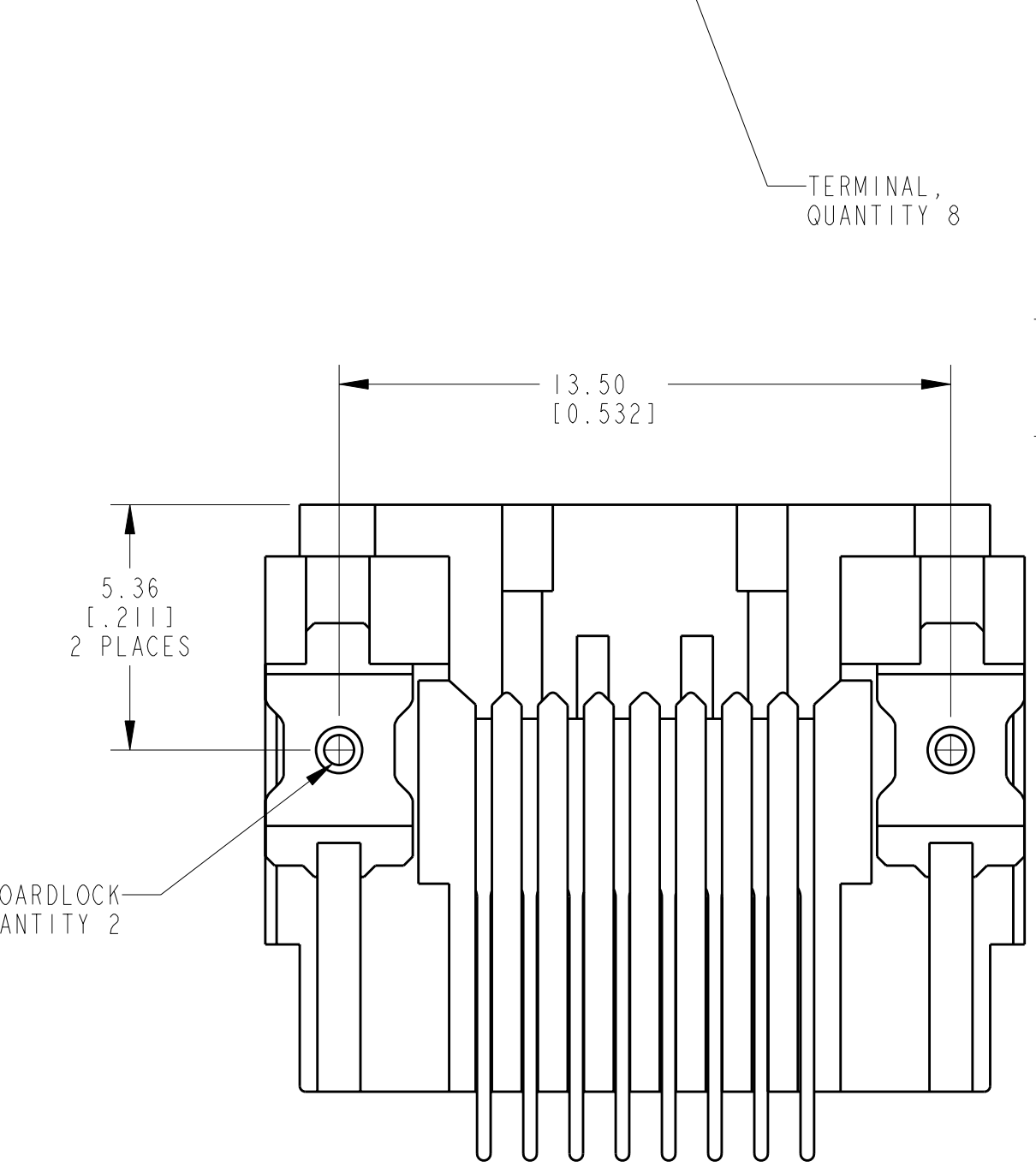
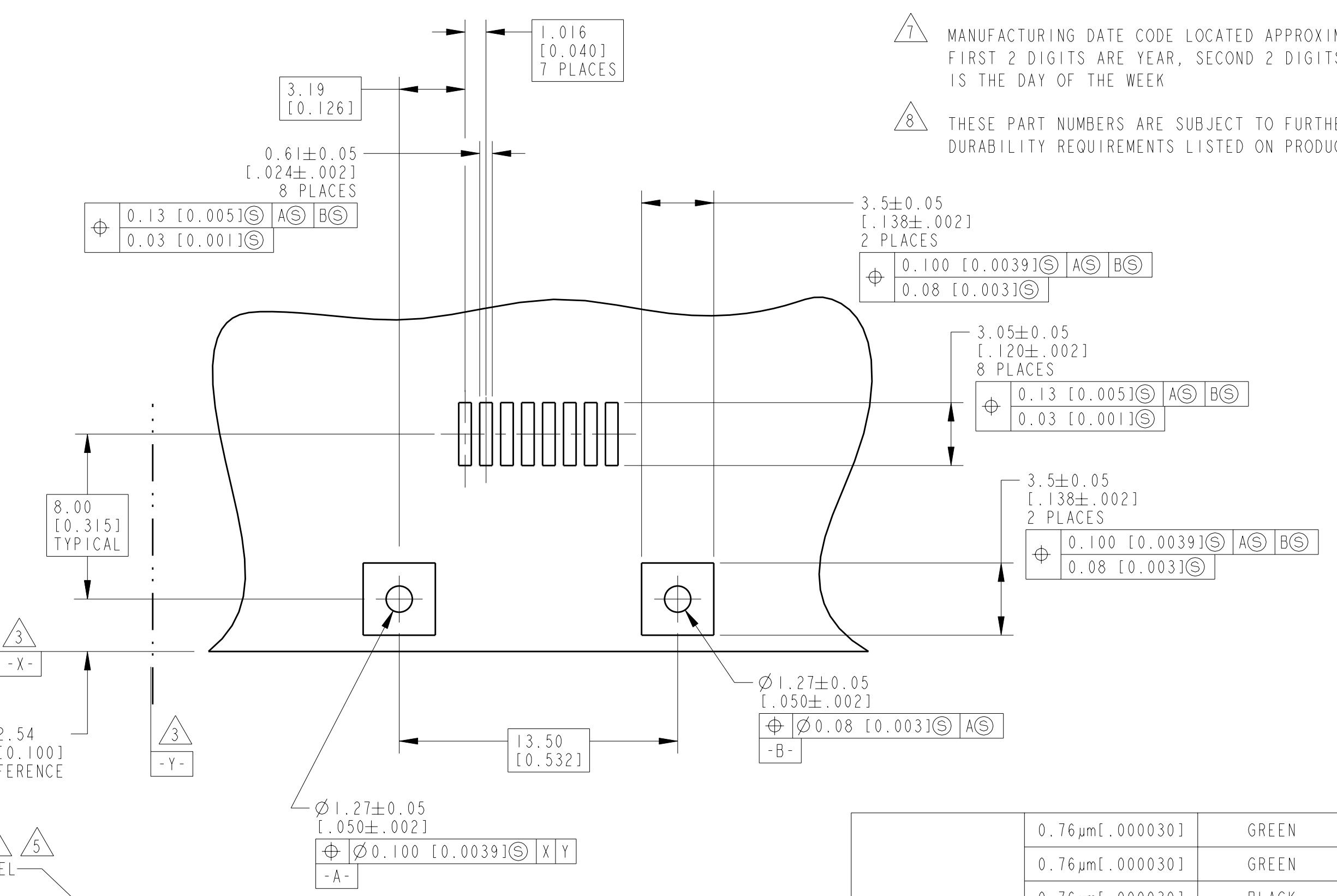
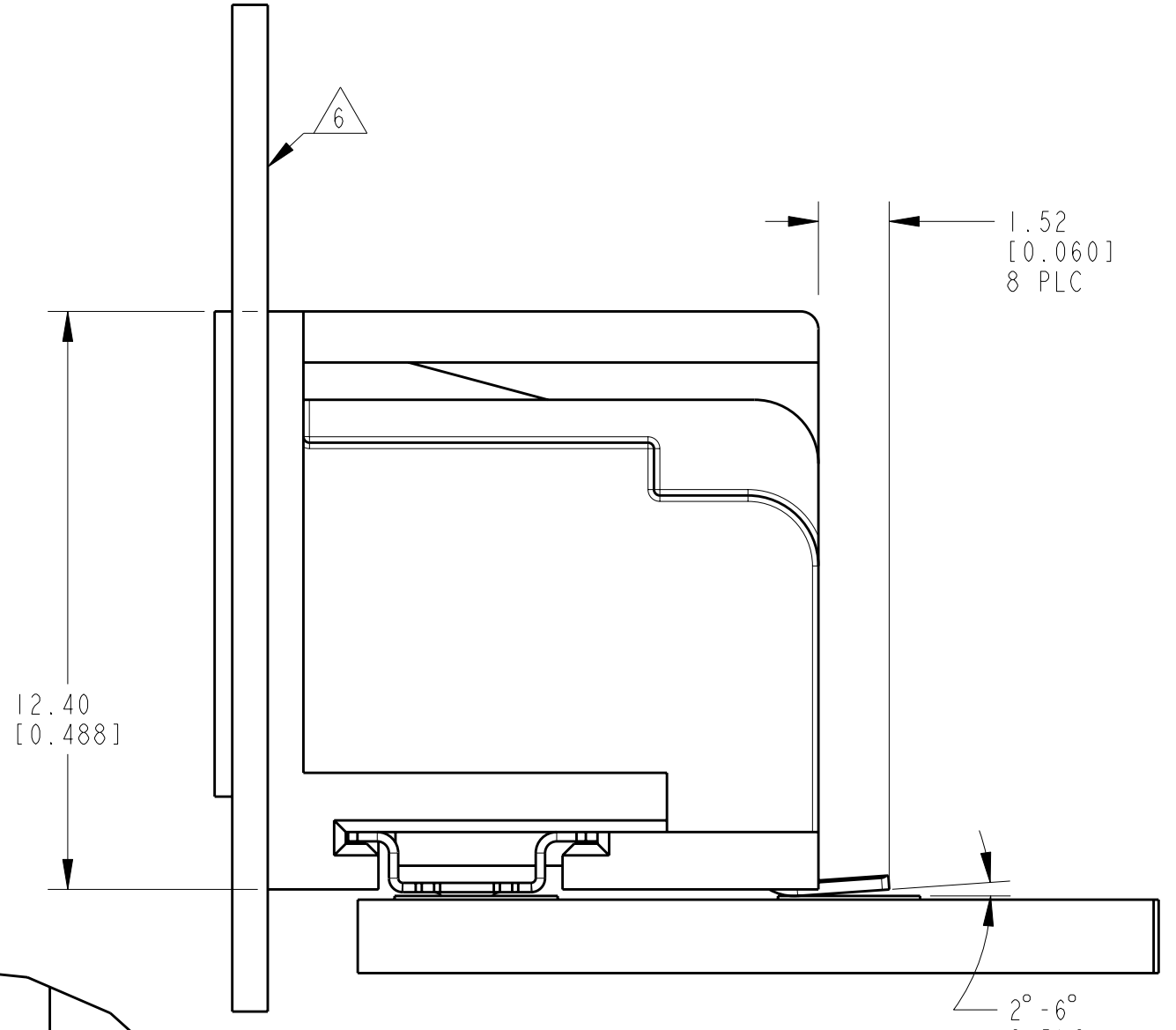
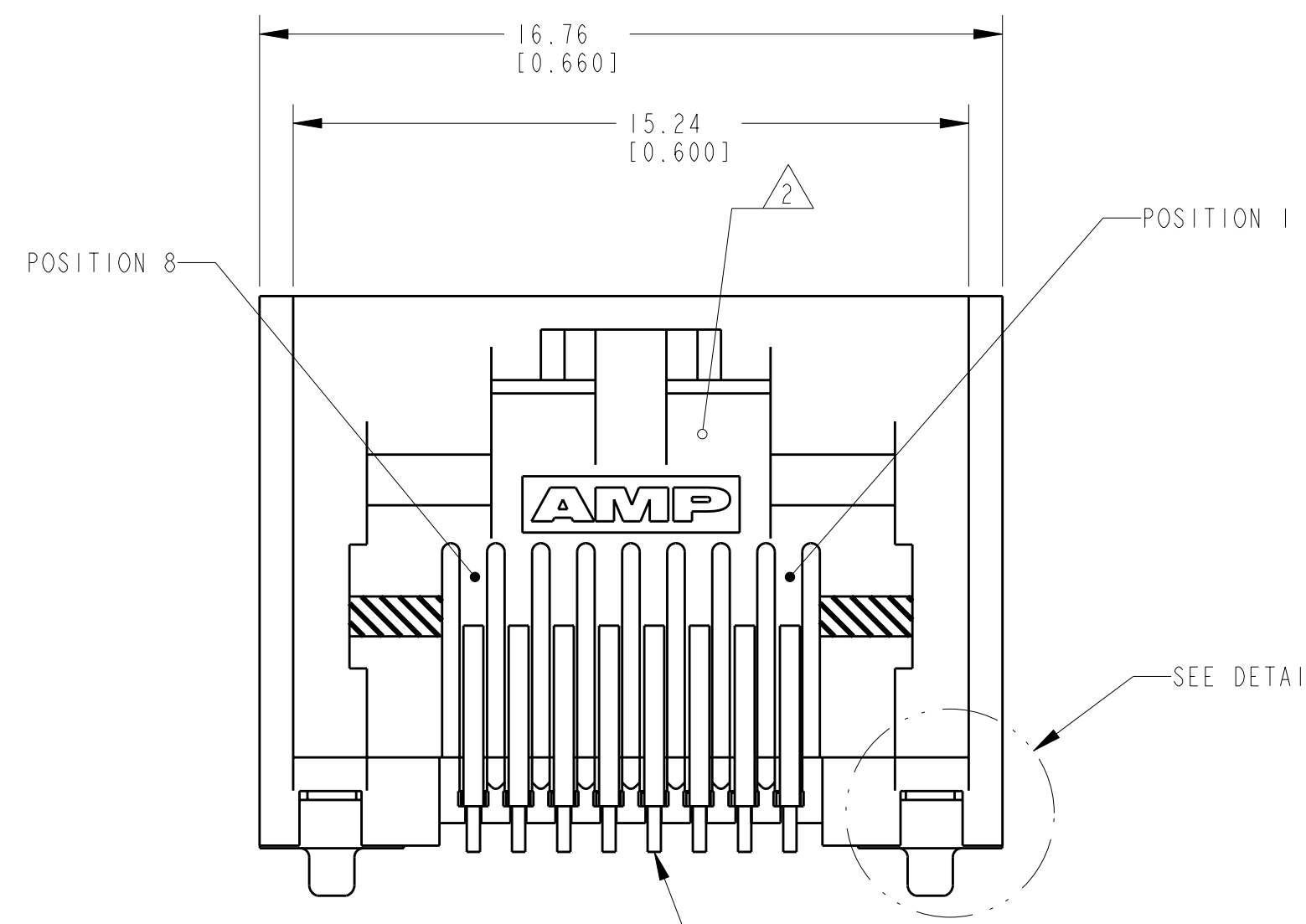
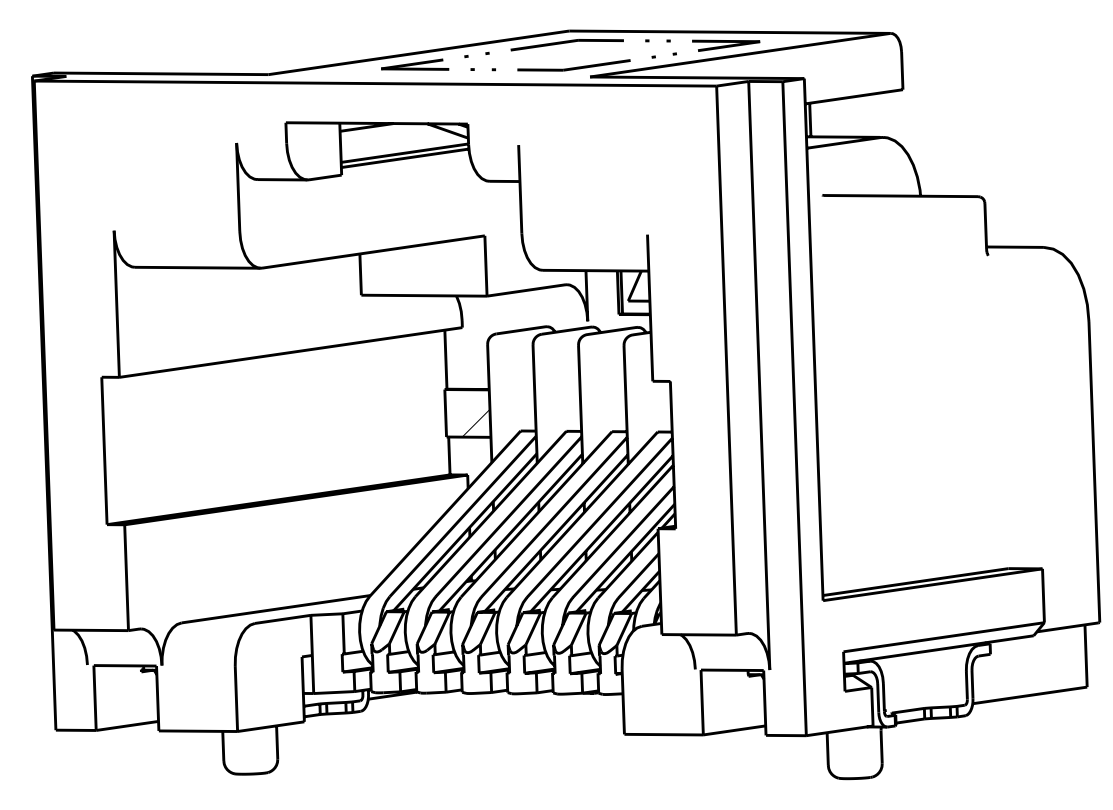
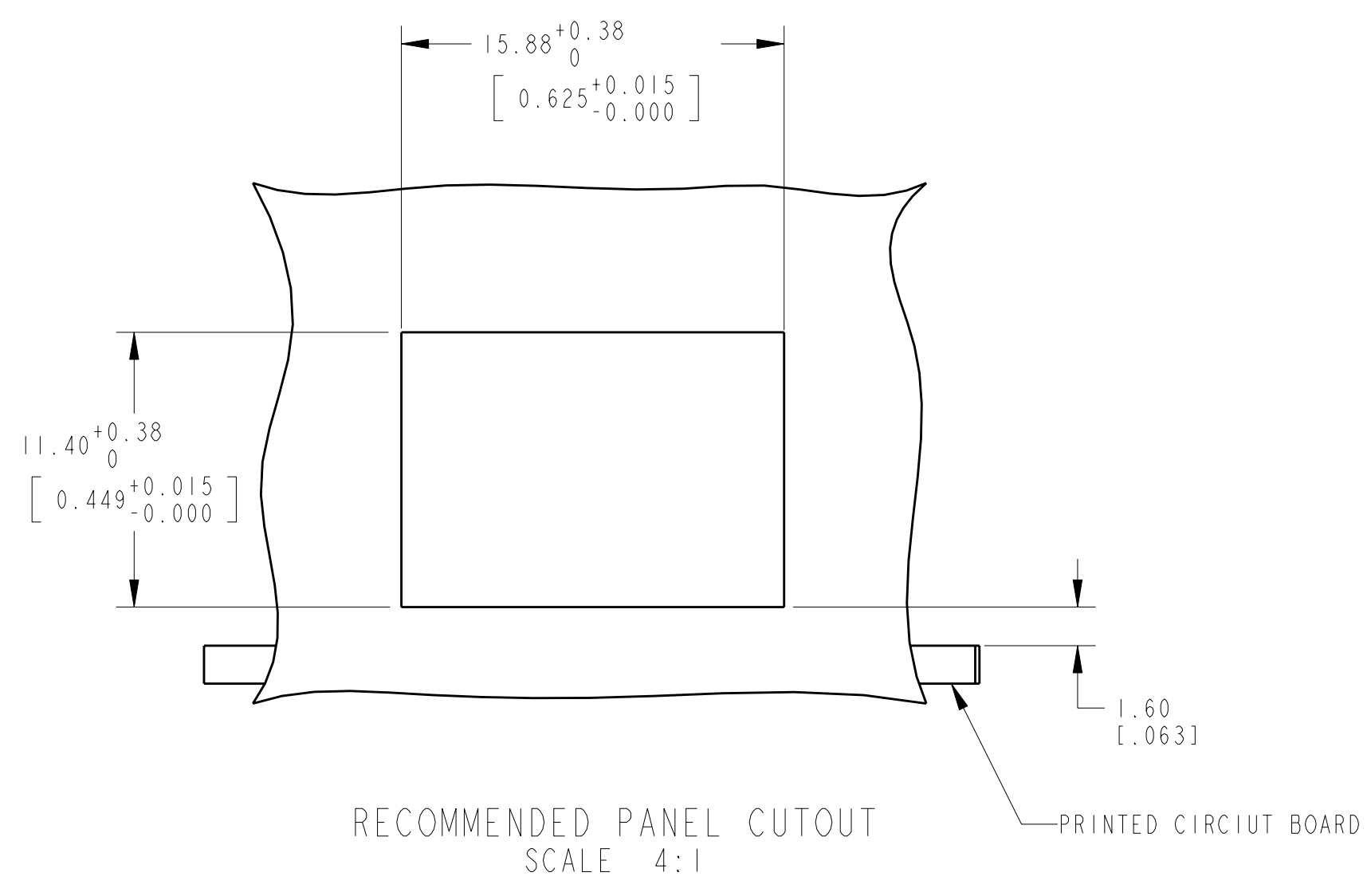
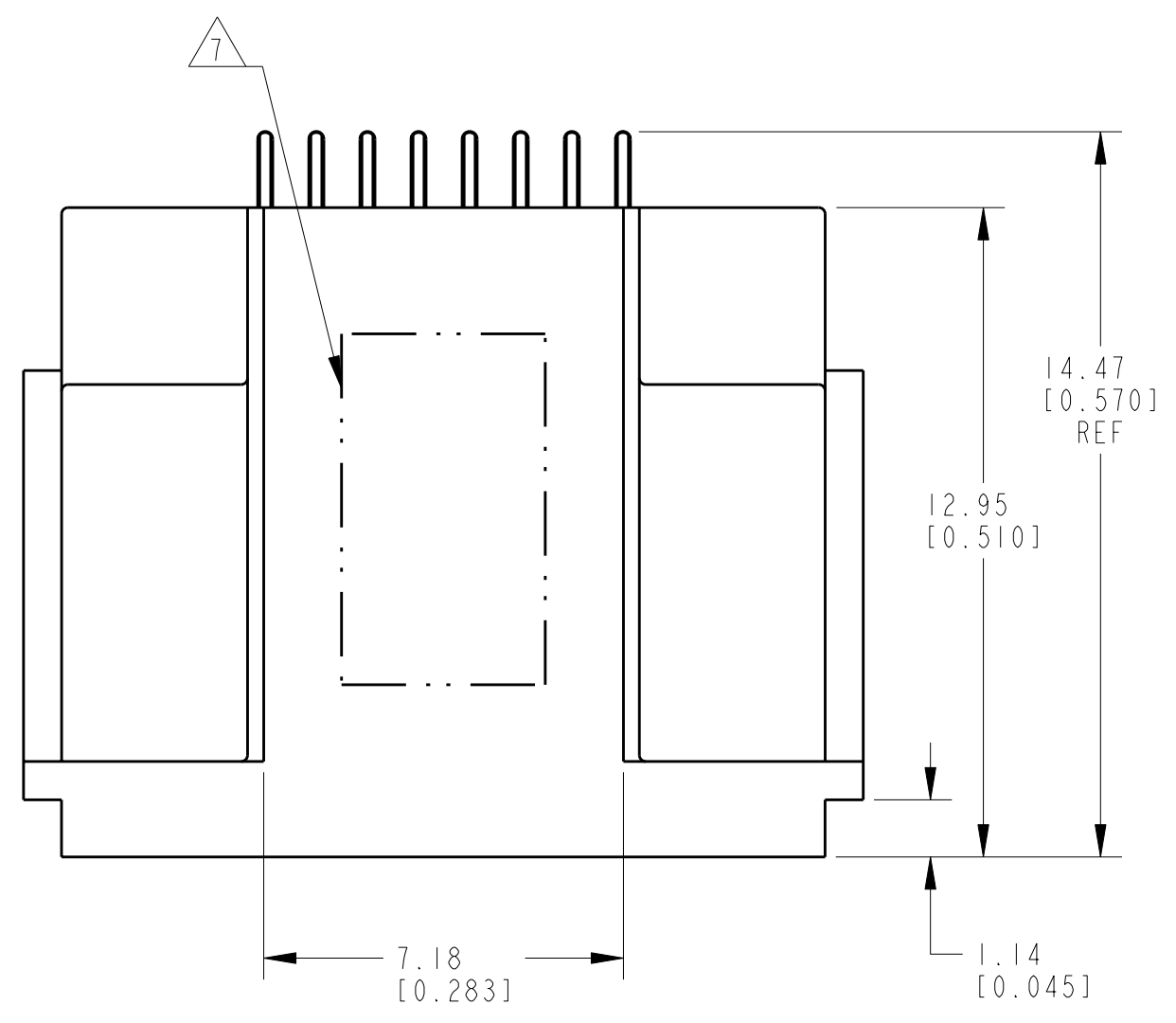


LOC	DIST	REV	DATE	BY	CHKD	APPD
AR	00	D	10APR2007	LAM	PR	

- 1 MATERIAL: HOUSING - HIGH TEMPERATURE THERMOPLASTIC, COLOR PER PART NUMBER TABLE
TERMINALS - 0.3 [0.012] THICK COPPER ALLOY PLATED WITH (SEE TABLE) MINIMUM GOLD IN LOCALIZED CONTACT AREA, 2.5µm [0.000100] MINIMUM MATTE TIN ON TERMINATION END, OVER 1.27µm [0.000050] MINIMUM NICKEL OVER THE ENTIRE TERMINAL
BOARDLOCK - PHOS BRONZE, 1/2 HARD, 2.54µm [0.000100] MINIMUM MATTE TIN OVER 1.27µm [0.000050] MINIMUM NICKEL
- 2 JACK CAVITY CONFORMS TO FCC RULES AND REGULATIONS, PART 68, SUBPART F
- 3 DATUM ESTABLISHED BY CUSTOMER
- 4 PACKAGING TAPE AND REEL: (PER EIA 481 SPEC)
TAPE - 32mm [1.26] WIDE
POCKET PITCH - 24mm [0.945]
CORRUGATED REEL DIAMETER - 560mm [22.0]
PIECES/REEL - 650
- 5 PACKAGING TAPE AND REEL: (PER EIA 481 SPEC)
TAPE - 32mm [1.26] WIDE
POCKET PITCH - 24mm [0.945]
PLASTIC REEL DIAMETER - 330mm [13.01]
PIECES/REEL - 200
- 6 CONNECTOR SHOULD BE POSITIONED THROUGH PANEL CUTOUT AS SHOWN TO SUPPORT TOP OF MODULAR JACK FOR STRAIN RELIEF
- 7 MANUFACTURING DATE CODE LOCATED APPROXIMATELY AS SHOWN. FIRST 2 DIGITS ARE YEAR, SECOND 2 DIGITS ARE WORK WEEK, LAST DIGIT IS THE DAY OF THE WEEK
- 8 THESE PART NUMBERS ARE SUBJECT TO FURTHER VALIDATION TESTING FOR DURABILITY REQUIREMENTS LISTED ON PRODUCT SPECIFICATION



RECOMMENDED PRINTED CIRCUIT BOARD LAYOUT COMPONENT SIDE SCALE 5:1

MARKING	MIN GOLD THICKNESS	HOUSING COLOR	PACKAGING	PART NUMBER
1	0.76µm [0.000030]	GREEN	5	1-5406721-6
	0.76µm [0.000030]	GREEN	4	1-5406721-5
	0.76µm [0.000030]	BLACK	5	1-5406721-4
	0.76µm [0.000030]	BLACK	4	1-5406721-3
	0.76µm [0.000030]	GRAY	5	1-5406721-2
	0.76µm [0.000030]	GRAY	4	1-5406721-1
NONE	1.27µm [0.000050]	GRAY	5	5406721-7
	1.27µm [0.000050]	GREEN	5	5406721-6
	1.27µm [0.000050]	GREEN	4	5406721-5
	1.27µm [0.000050]	BLACK	5	5406721-4
	1.27µm [0.000050]	BLACK	4	5406721-3
	1.27µm [0.000050]	GRAY	5	5406721-2
	1.27µm [0.000050]	GRAY	4	5406721-1

<small>THIS DRAWING IS UNPUBLISHED. RELEASED FOR PUBLICATION. COPYRIGHT © BY TYCO ELECTRONICS CORPORATION, ALL RIGHTS RESERVED.</small>		DWN: 27 JULY 2005 CHK: J. WESTMAN APPD: S. FLICKINGER PRODUCT SPEC: 108-1689 APPLICATION SPEC: 114-6040 WEIGHT: 1.46 gram CUSTOMER DRAWING	Tyco Electronics Harrisburg, PA 17105-3608 tyco Electronics	NAME: MODULAR JACK ASSEMBLY, SINGLE PORT, 8/8 RIGHT ANGLE, SURFACE MOUNT, WITH PANEL STOPS, INWARD BOARDLOCK SIZE: CAGE CODE DRAWING NO. RESTRICTED TO: A1100779 C=5406721 SCALE: 2:1 SHEET 1 OF 1 REV D
---	--	--	--	--