

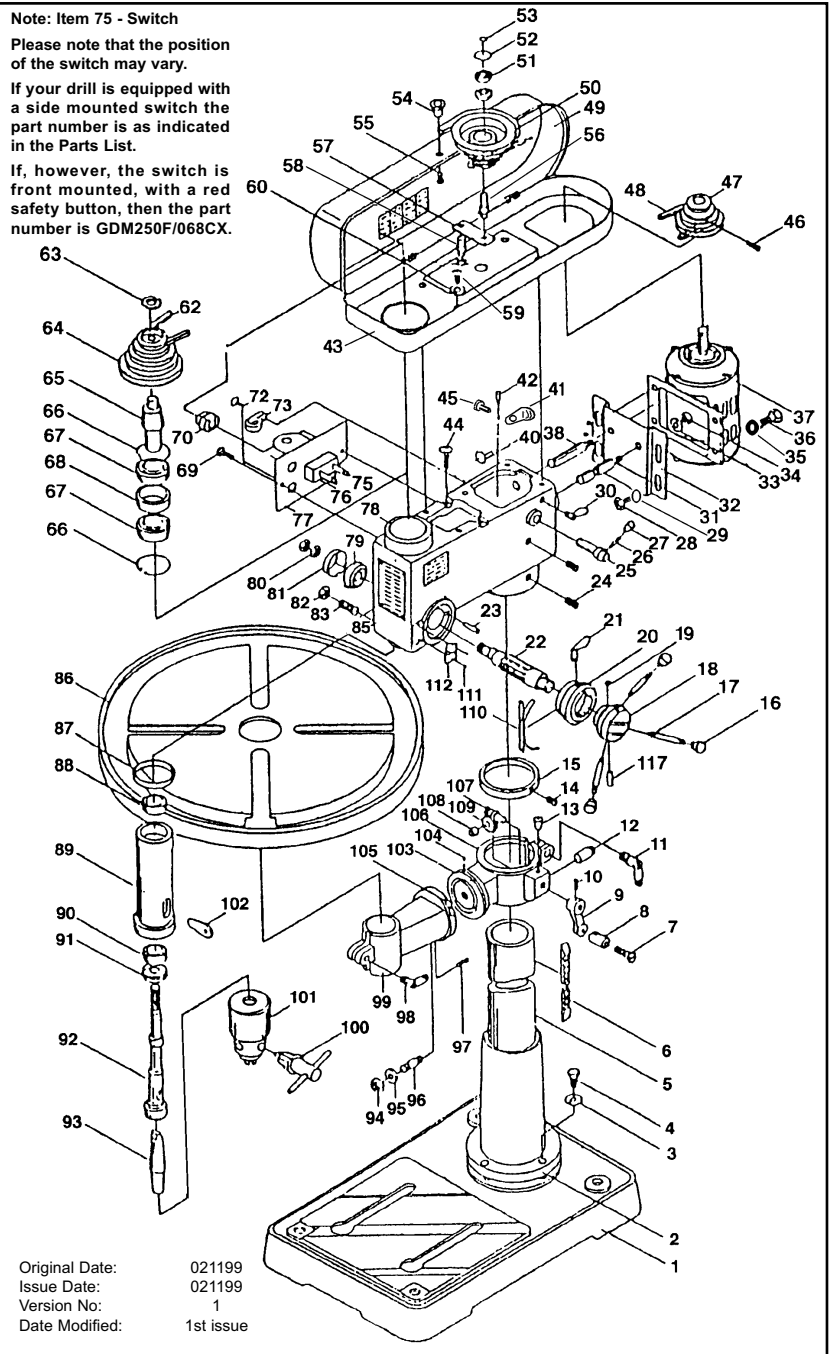
Item	Part No.	Description
1	GDM150B/001	Base - GDM150B/180B
1	GDM200F/001	Base - GDM200F
1	GDM230F/001	Base - GDM230F
2	GDM150B/002	Base Flange - GDM150B/180B
2	GDM200F/002	Base Flange - GDM200F
2	GDM230F/002	Base Flange - GDM230F
3	GDM150B/003	Washer, Spring
4	GDM150B/004	Screw - GDM150B/180B
4	GDM200F/004	Screw - GDM200F
4	GDM230F/004	Screw - GDM230F
5	GDM150B/005	Column, 80mm - GDM150B/180B
5	GDM200F/005	Column, 80mm - GDM200F
5	GDM230F/005	Column, 80mm - GDM230F
6	GDM150B/006	Rack - GDM150B/180B
6	GDM200F/006	Rack - GDM200F
6	GDM230F/006	Rack - GDM230F
7-10	GDM150B/7-10	Handle Assembly
7	Part of 7-10	Bolt, Clamp
8	Part of 7-10	Handle Sleeve
9	Part of 7-10	Arm, Handle
10	Part of 7-10	Screw, Set
11	GDM150B/011	Bolt, Clamp
12	GDM150B/012	Shaft, Gear - GDM150B/200F
12	GDM180B/012	Shaft, Gear - GDM180B/230F
13	GDM150B/013	Cup, Oil
14	GDM150B/014	Set Screw
15	GDM150B/015	Collar
16	GDM150B/016	Knob, Feed Handle
17	GDM150B/017	Handle, Feed
18	GDM150B/018	Hub, Feed Handles
19	GDM150B/019	Key
20	GDM150B/020	Sleeve, Depth Scale
21	GDM150B/021	Screw, Wing Clamp
22	GDM150B/022	Pinion, Feed
23	GDM150B/023	Pin, Stop
24	GDM150B/024	Set Screw
25	GDM150B/025	Shaft, Lever
26	GDM150B/026	Rod
27	GDM150B/027	Knob
28	GDM150B/028	Screw, Motor Lock
29	GDM150B/029	Washer, Lock
30	GDM150B/030	Screw, Thumb
31	GDM150B/031	Bracket, Motor Support - GDM150B/200F
31	GDM180B/031	Bracket, Motor Support - GDM180B/230F
32	GDM150B/032	Mount, Motor
33	GDM150B/033	Washer, Spring
34	GDM150B/034	Nut
35	GDM150B/035	Washer
36	GDM150B/036	Screw
37	GDM150B/037	Motor, 1/2hp - 230v - GDM150B
37	GDM180B/037	Motor, 1/2hp - 230v - GDM180B
37	GDM200F/037	Motor, 3/4hp - 230v - GDM200F
37	GDM230F/037	Motor, 1hp - 230v - GDM230F
38	GDM150B/038	Bracket, Motor Support - GDM150B/200F
38	GDM180B/038	Bracket, Motor Support - GDM180B/230F
40	GDM150B/040	Retaining Ring
41	GDM150B/041	Lever, Adjusting
42	GDM150B/042	Pin, Lock
43	GDM150B/043	Pulley Cover, Lower - GDM150B/200F
43	GDM180B/043	Pulley Cover, Lower - GDM180B/230F
44	GDM150B/044	Screw
45	GDM150B/045	Pin
46	GDM150B/046	Set Screw
47	GDM150B/047	Pulley, Motor - GDM150B
47	GDM180B/047	Pulley, Motor - GDM180B/200B/230B
48	V/M22	V-Belt - GDM150B/200F
48	V/M28	V-Belt - GDM180B/230F
49	GDM150B/049	Pulley Cover - GDM150B/200F
49	GDM180B/049	Pulley Cover - GDM180B/230F
50	GDM150B/050	Pulley, Centre
51	B/6202Z	Bearing
52	GDM150B/052	Retaining Ring
53	GDM150B/053	Retaining Ring
54	GDM150B/054	Knob
55	GDM150B/055	Screw
56	GDM150B/056	Pivot
57	GDM150B/057	Arm, Pivot
58	GDM150B/058	Pivot Arm
59	GDM150B/059	Screw, Pan Head
60	GDM150B/060	Washer
62	V/M26	V-Belt - GDM150B/200F
62	V/M28	V-Belt - GDM180B/230F
63	GDM150B/063	Nut, Ring
64	GDM150B/064	Pulley, Spindle
65	GDM150B/065	Spindle
66	GDM150B/066	Ring, Retaining
67	B/6205Z	Bearing
68	GDM150B/068	Spacer, Bearing
69	GDM150B/069	Screw
70	GDM150B/070	Strain Relief
72	GDM150B/072	Screw
73	GDM150B/073	Clamp, Cable
75	GDM250F/068	Switch
76	GDM150B/076	Arm Switch
77	GDM150B/077	Plate, Switch
78	GDM150B/078	Head, Pillar Drill - GDM150B/200F

Note: Item 75 - Switch

Please note that the position of the switch may vary.

If your drill is equipped with a side mounted switch the part number is as indicated in the Parts List.

If, however, the switch is front mounted, with a red safety button, then the part number is GDM250F/068CX.



Item	Part No.	Description	Item	Part No.	Description
78	GDM180B/078	Head, Pillar Drill - GDM180B/230F	97	GDM150B/097	Screw
79	GDM150B/079	Spring, Tension	98	GDM150B/098	Bolt, Table Clamp Lock
80	GDM150B/080	Nut	99	GDM150B/099	Arm, Table - GDM150B/200F
81	GDM150B/081	Cap, Spring	99	GDM180B/099	Arm, Table - GDM180B/230F
82	GDM150B/082	Nut	100	GDM150B/100	Key, Chuck - GDM150B/200F
83	GDM150B/083	Screw	100	GDM180B/100	Key, Chuck - GDM180B/230F
85	GDM150B/084	Rivet	101	GDM150B/101	Chuck, 16mm - GDM150B/200F
86	GDM150B/086	Table - GDM150B/200F	101	GDM180B/101	Chuck, 19mm - GDM180B/230F
86	GDM180B/086	Table - GDM180B/230F	102	GDM150B/102	Wedge
87	GDM150B/087	Gasket	103	GDM150B/103	Scale, Angle
88	B/6203Z	Bearing	104	GDM150B/104	Rivet
89	GDM150B/089	Quill - GDM150B/200F	105	GDM150B/105	Indicator, Zero Mark
89	GDM180B/089	Quill - GDM180B/230F	106	GDM150B/106	Support, Table - GDM150B/200F
90	B/6202Z	Bearing - GDM150B/200F	106	GDM180B/106	Support, Table - GDM180B/230F
90	GDM180B/090	Bearing, Thrust - GDM180B/230F	107	GDM150B/107	Worm, Elevation
91	B/6204Z	Bearing - GDM150B/200F	108	GDM150B/108	Sleeve, Wheel
91	GDM180B/091	Bearing - GDM180B/230F	109	GDM150B/109	Worm, Helical
92	GDM150B/092	Spindle - GDM150B/200F	110	GDM150B/110	Indicator, Depth - GDM150B/200F
92	GDM180B/092	Spindle - GDM180B/230F	110	GDM180B/110	Indicator, Depth - GDM180B/230F
93	GDM150B/093	Arbor - GDM150B/200F	111	GDM150B/111	Rivet
93	GDM180B/093	Arbor - GDM180B/230F	112	GDM150B/112	Indicator, Zero Mark
94	GDM150B/094	Nut	117	GDM150B/117	Pin, Lock
95	GDM150B/095	Washer			
96	GDM150B/096	Stud			

Each part number applies to all four models unless otherwise specified.