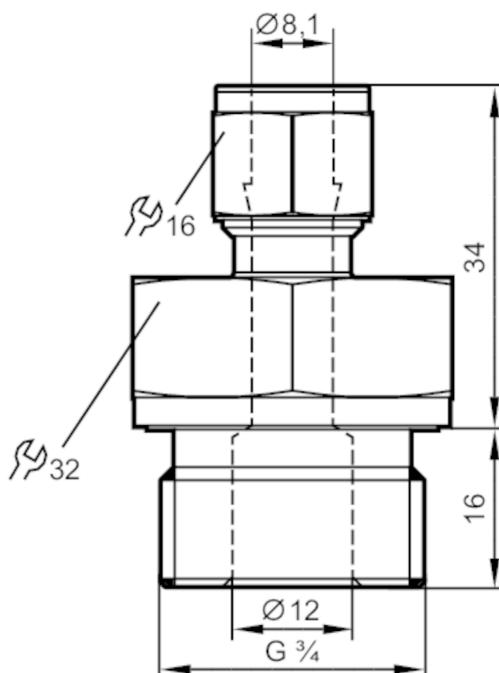


E40260



Progressive ring fitting

COMPRESSION FITTING G3/4



Application

Pressure rating [bar] 50

Mechanical data

Weight [g] 159.3

Materials stainless steel (1.4404 / 316L); Gasket: FKM

Sensor connection Ø 8 mm

Process connection G 3/4

Accessories

Accessories (supplied) Gasket

Remarks

Pack quantity 1 pcs.