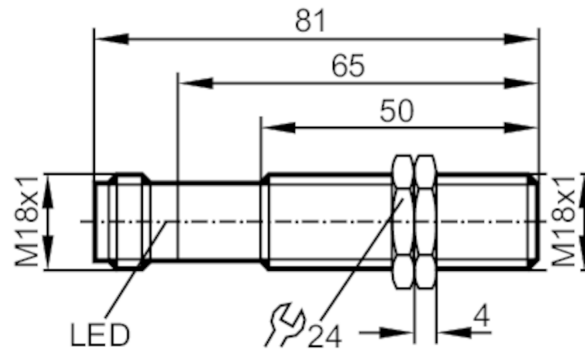




Inductive sensor

IGA3005-APKG/BS-201-APO



Product characteristics

| | | |
|-------------------|------|------------------|
| Electrical design | | PNP |
| Output function | | normally closed |
| Sensing range | [mm] | 5 |
| Housing | | threaded type |
| Dimensions | [mm] | M18 x 1 / L = 81 |

Electrical data

| | | |
|-----------------------------|------|------------|
| Operating voltage | [V] | 10...36 DC |
| Current consumption | [mA] | 15; (24 V) |
| Protection class | | II |
| Reverse polarity protection | | yes |

Outputs

| | | |
|---|------|-----------------|
| Electrical design | | PNP |
| Output function | | normally closed |
| Max. voltage drop switching output DC | [V] | 2.5 |
| Permanent current rating of switching output DC | [mA] | 250 |
| Switching frequency DC | [Hz] | 500 |
| Short-circuit protection | | yes |
| Type of short-circuit protection | | pulsed |
| Overload protection | | yes |

Detection zone


| | | |
|-----------------------|------|----------|
| Sensing range | [mm] | 5 |
| Real sensing range Sr | [mm] | 5 ± 10 % |
| Operating distance | [mm] | 0...4.05 |

IG5582



Inductive sensor

IGA3005-APKG/BS-201-APO

| Accuracy / deviations | | |
|---|---|-----------------|
| Correction factor | steel: 1 / stainless steel: 0.7 / brass: 0.5 / aluminium: 0.4 / copper: 0.3 | |
| Hysteresis [% of Sr] | 1...15 | |
| Switch point drift [% of Sr] | -10...10 | |
| Operating conditions | | |
| Ambient temperature [°C] | -25...80 | |
| Protection | IP 67 | |
| Tests / approvals | | |
| EMC | EN 60947-5-2 | |
| | EN 55011 | class B |
| MTTF [years] | 1874 | |
| Mechanical data | | |
| Weight [g] | 61 | |
| Housing | threaded type | |
| Mounting | flush mountable | |
| Dimensions [mm] | M18 x 1 / L = 81 | |
| Thread designation | M18 x 1 | |
| Materials | brass white bronze coated; PC | |
| Displays / operating elements | | |
| Display | switching status | 1 x LED, yellow |
| Accessories | | |
| Accessories (supplied) | lock nuts: 2 | |
| Remarks | | |
| Pack quantity | 1 pcs. | |
| Electrical connection - plug | | |
| Connector: 1 x M18 | | |
|  | | |

IG5582



Inductive sensor

IGA3005-APKG/BS-201-APO

Connection

