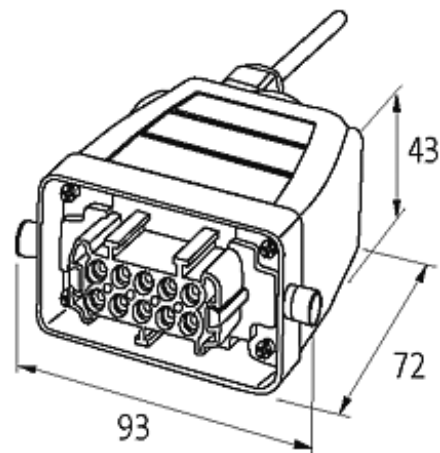


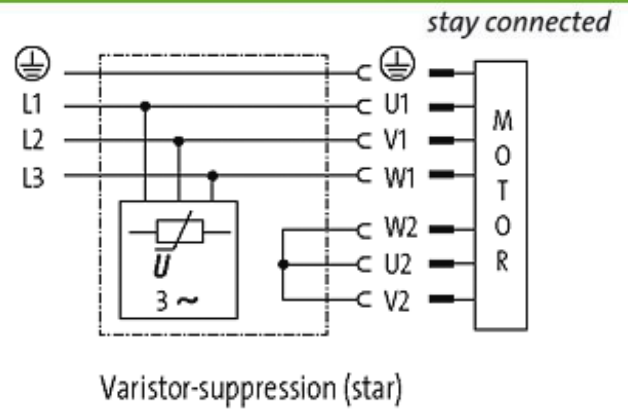
MOTOR SUPPRESSION SHIELDING PLUGGABLE 10M PUR

(black-halogenfree)

3 × 575 V AC
VDR/star
10.0 m

[Link to Product](#)**Illustration**

(without compression gland)



Product may differ from Image

Technical Data

| | |
|---------------------|-----------------------------------|
| Operating frequency | 10...400 Hz |
| Plug connector | Females, 10-pole + PE |
| Housing | Aluminum die-cast (powder-coated) |
| Cable length | 10.0 m |

General data

| | |
|----------------------|---|
| Connection | PUR cable black, 4 × 1.5 mm ² , numbered wires, halogen-free |
| Dimensions H × W × D | 72×93×43 mm |
| Temperature range | -20...+60 °C |

Commercial data

| | |
|------------------------|----------|
| country of origin | CZ |
| customs tariff number | 85363010 |
| minimum order quantity | 1 |