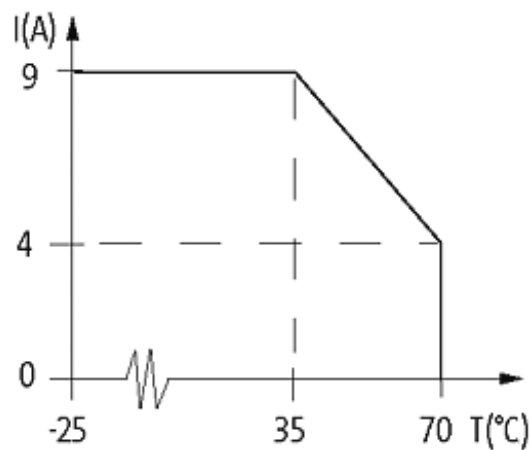
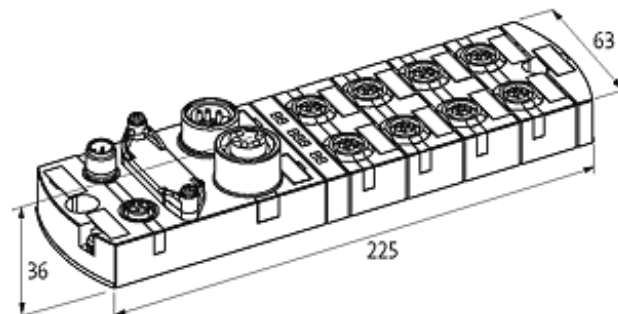


IMPACT67 COMPACT MODULE, PLASTIC

DeviceNet, 8 dig. Out

Digital outputs
DO8 - 2 A

For connection cables please see chapter "Connection Technology" Housings potted on the back

[Link to Product](#)**Illustration**

Product may differ from Image

Approvals

The information in this brochure has been compiled with the utmost care.
Liability for the correctness completeness and topicality of the information is restricted to gross negligence. Version: 05/15



More Info



Connections

Fieldbus	M12, A-coded
Sensor-system/actuator supply	7/8", 5-pole, 2 × max. 9 A
I/O ports	M12, A-coded, 5-pole

Fieldbus

Operating voltage	24 V DC (EN 61131-2)
Operating modes	Polling; change of state; Cyclic
Transfer rate	125 kbit/s; 250 kbit/s; 500 kbit/s
Addressing	Rotary switch 0...63

General data

Protection	IP67
Mounting method	2 hole screw mounting, compatible with I/O modules of MVK model range
Temperature range	-25...+70 °C (storage temperature -25...+70 °C)
Dimensions H × W × D	39×63×225 mm

Output

Switching current per output	max. 2 A (short-circuit and overload protected)
------------------------------	---

Diagnostic

Communication status	via LED
Diagnostic via LED	per module and channel
Diagnostic via BUS	per module and channel
Monitoring - under voltage	yes
Monitoring - no voltage	yes
Short circuit and overload	yes

Commercial data

country of origin	DE
customs tariff number	85176200
minimum order quantity	1