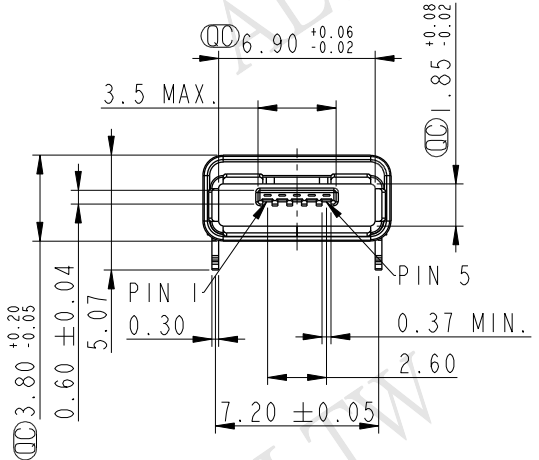
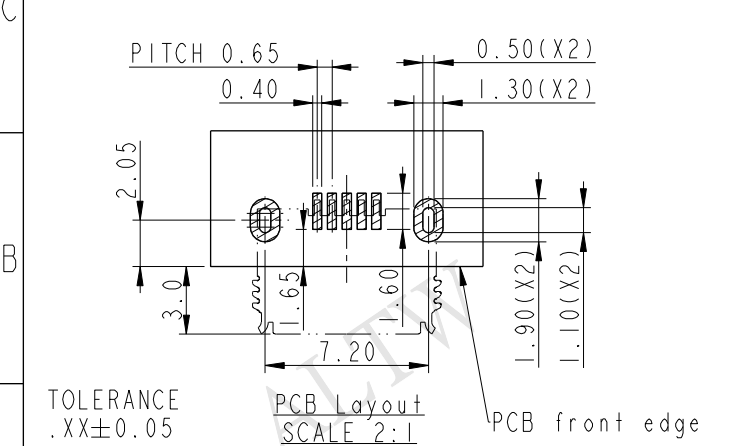
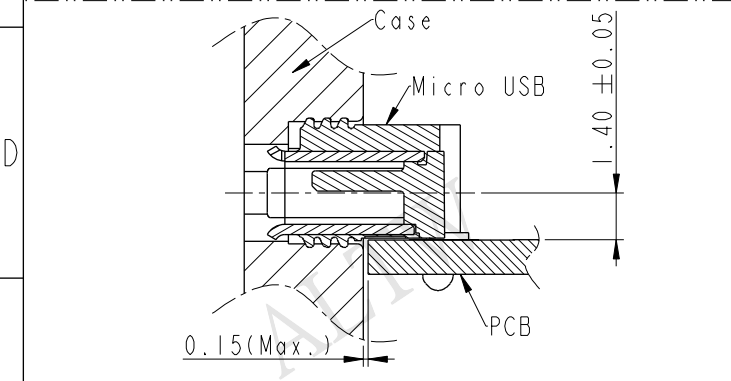
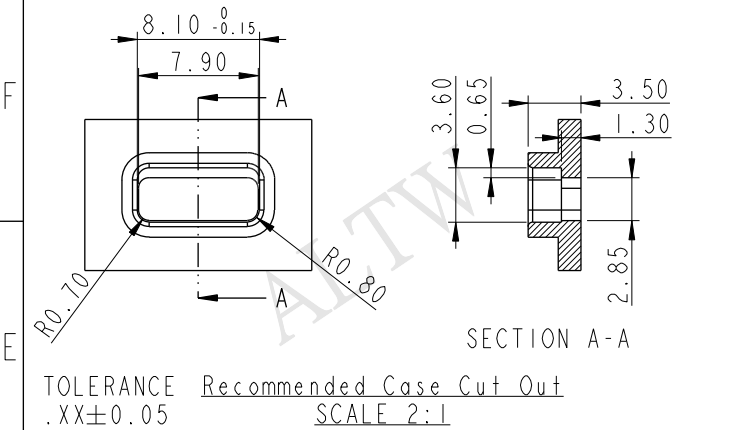


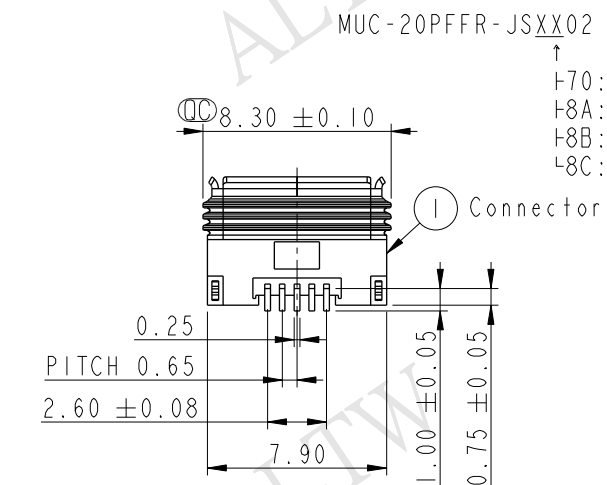
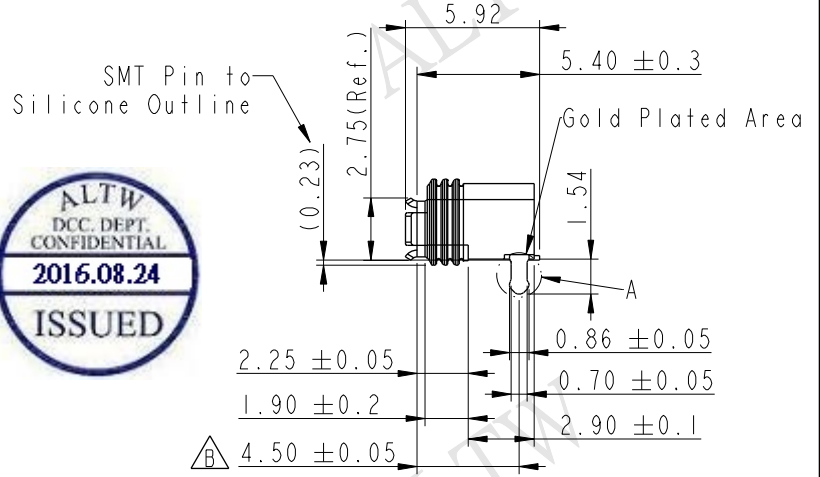
THIS DOCUMENT IS SUBJECT TO CHANGE WITHOUT NOTICE. IT IS CONFIDENTIAL AND A PROPERTY OF Amphenol LTW. DISCLOSURE TO THIRD PARTY HAS TO BE AUTHORIZED BY Amphenol LTW.

REV.	ECN NO.	DATE	SIGN	DESCRIPTION
A	Initial Release	2016/07/25	Jason Yu	New Item
B	LEN1681212~5	2016/08/18	Jason Yu	Add Dimension

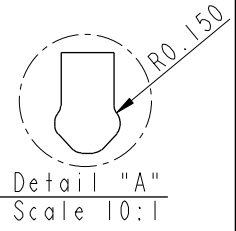
ALTW
CONFIDENTIAL
2016-08-18
R&D DEPT.



ALTW
DCC. DEPT.
CONFIDENTIAL
2016.08.24
ISSUED



- ↑ F70: 1PX7 (1M depth of water in 30min)
- ↑ F8A: 1PX8 (1M depth of water in 24hrs)
- ↑ F8B: 1PX8 (5M depth of water in 24hrs)
- ↑ F8C: 1PX8 (10M depth of water in 3hrs)



- Note:
- * (⊙) Important Dimensions To Check
 - * Current: 1&5pin(1.8A), 2~4 pin(1.0A)
 - * Housing: Nylon, Black
 - * Terminal: Copper Alloy, Gold Plated
 - * Shell: Stainless, Gold Plated
 - * Inner Gasket: Silicone, Transparent
 - * Outside Gasket: Silicone, Transparent
 - * PCB Thickness: 1.2 MAX.
 - * For Micro USB A & B type plug use
 - * SMD Temperature & Time: 260°C / 5 sec

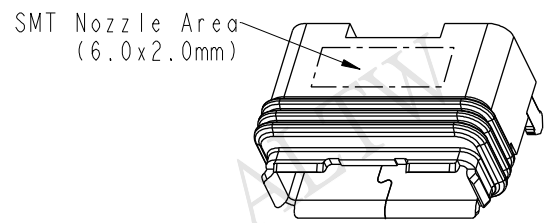
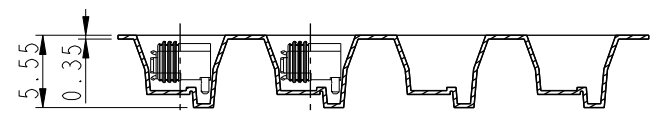
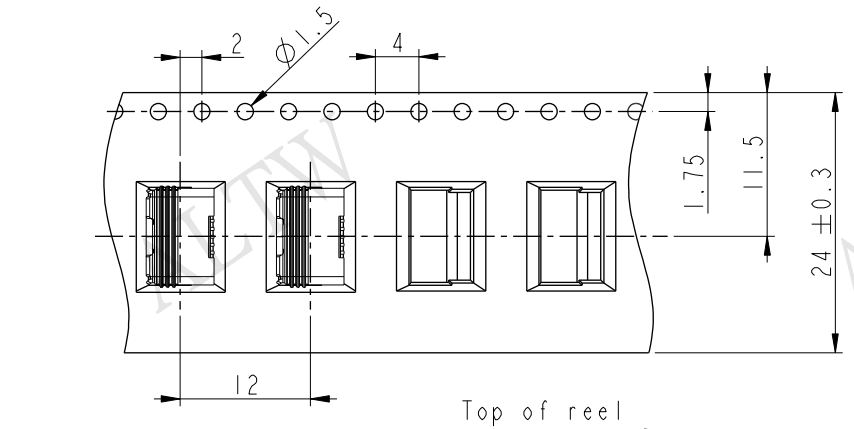
UNIT: mm	TITLE WATERPROOF MICRO-AB USB PANEL 20MAB F CONN JACK LENGHT PIN		
	SCALE 3:1	SIZE A4	SHEET 1 OF 4
	REV. B	WC-REV. A.6	QC: Inspection item

Amphenol LTW
安費諾亮泰企業股份有限公司

ITEM NO.	DRAWN BY	DATE
DWG NO. MUC-20PFFR-JSXX02	Jason Yu	2016/08/18
CUSTOMER	CHECKED BY	DATE
ALTW	Arvin Chan	2016/08/18
	APPROVED BY	DATE
	Kevin Hu	2016/08/18

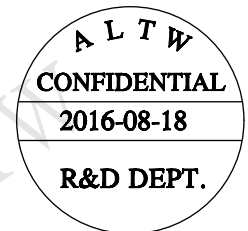
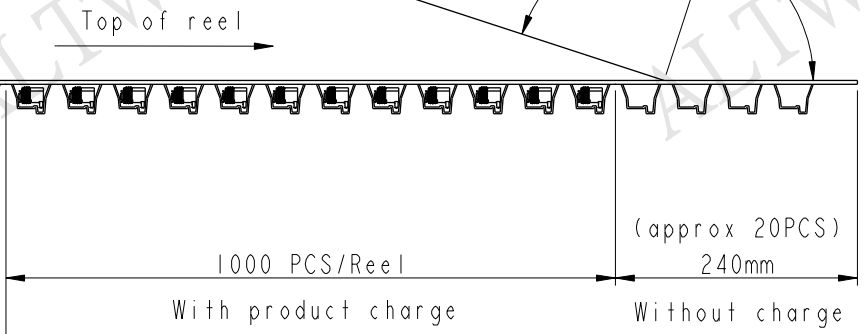
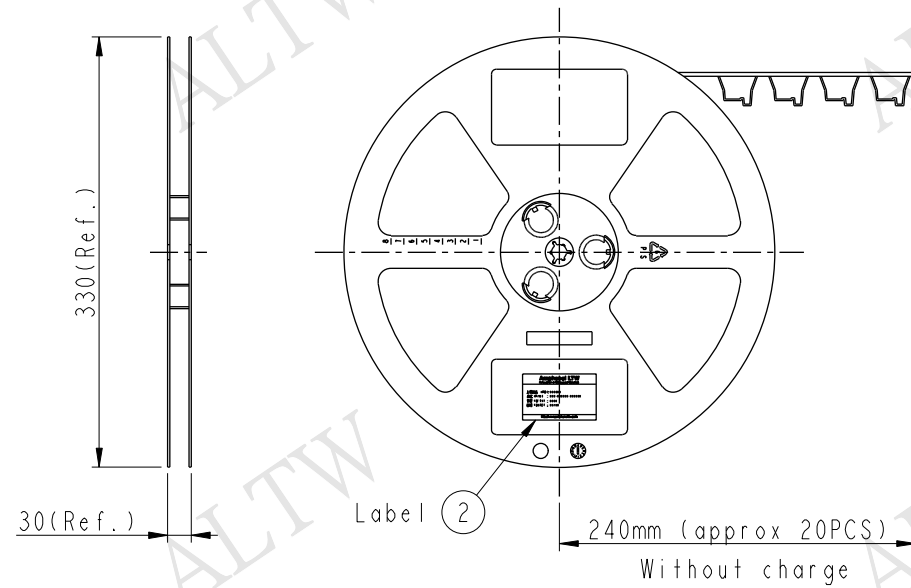
THIS DOCUMENT IS SUBJECT TO CHANGE WITHOUT NOTICE. IT IS CONFIDENTIAL AND A PROPERTY OF AMPHENOL LTW. DISCLOSURE TO THIRD PARTY HAS TO BE AUTHORIZED BY AMPHENOL LTW.

Tape & Reel Information:



Wide cover tape ground out periphery 1 turn

Peeling strenght 0.1~1.3N Max.
(300±10mm/min)
Peeling angle 165~180°



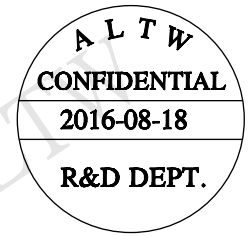
UNIT: mm		
TOLERANCE		
.X	±0.25	
.XX	±0.1	
.XXX	±0.05	
ANGLES	±1°	

TITLE WATERPROOF MICRO-AB USB PANEL 20MAB F CONN JACK LENGHT PIN			
SCALE Free	SIZE A4	SHEET 2 OF 4	
REV. B	WC-REV. A.6	QC: Inspection item	

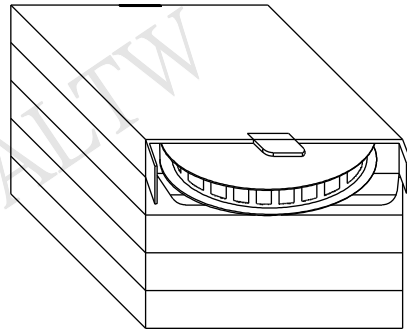
Amphenol LTW
安費諾亮泰企業股份有限公司

ITEM NO	DRAWN BY Jason Yu	DATE 2016/08/18
DWG NO MUC-20PFFR-JSXX02	CHECKED BY Arvin Chan	DATE 2016/08/18
CUSTOMER ALTW	APPROVED BY Kevin Hu	DATE 2016/08/18

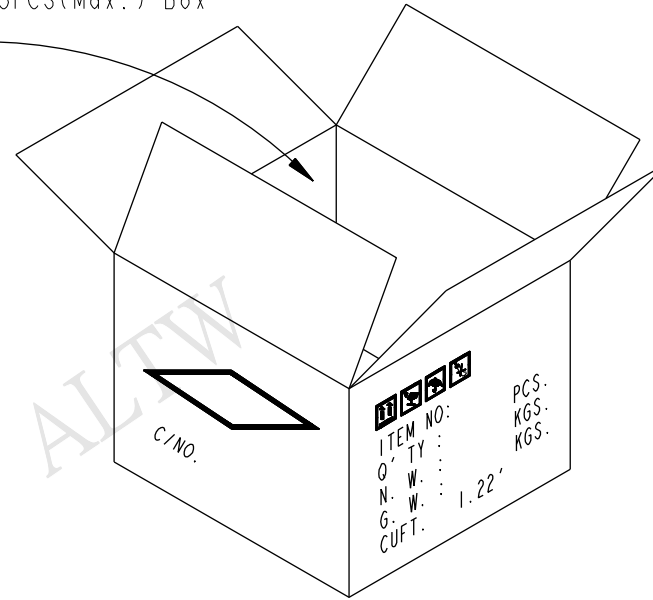
Package :



One Carton can put in the 5PCS(Max.) Box



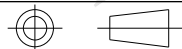
1000 PCS(Connector)/Tape&Reel, Put in a Box



(5,000 PCS/Carton)



UNIT: mm



TOLERANCE
 .X ±0.25
 .XX ±0.1
 .XXX ±0.05
 ANGLES ±1°

TITLE WATERPROOF MICRO-AB USB
 PANEL 20MAB F CONN JACK LENGHT PIN

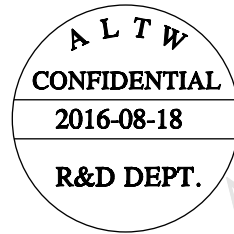
SCALE Free SIZE A4 SHEET 3 OF 4
 REV. B WC-REV. A.2 (QC): Inspection item

Amphenol LTW
 安費諾亮泰企業股份有限公司

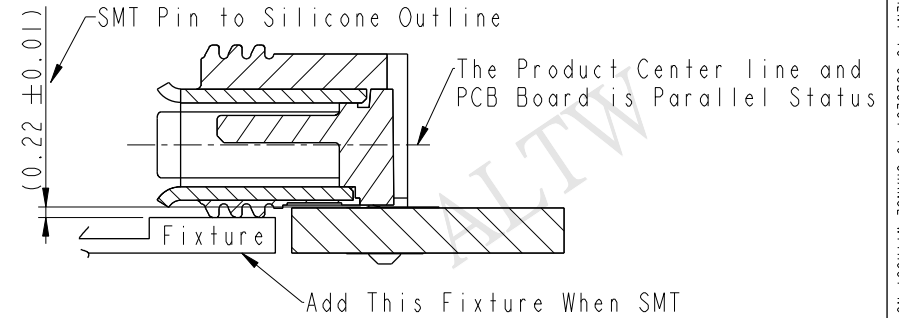
ITEM NO	DRAWN BY	DATE
	Jason Yu	2016/08/18
DWG NO	CHECKED BY	DATE
MUC-20PFFR-JSXX02	Arvin Chan	2016/08/18
CUSTOMER	APPROVED BY	DATE
ALTW	Kevin Hu	2016/08/18

THIS DOCUMENT IS SUBJECT TO CHANGE WITHOUT NOTICE. IT IS CONFIDENTIAL AND A PROPERTY OF AMPHENOL LTW. DISCLOSURE TO THIRD PARTY HAS TO BE AUTHORIZED BY AMPHENOL LTW.

For SMT Process Recommend:

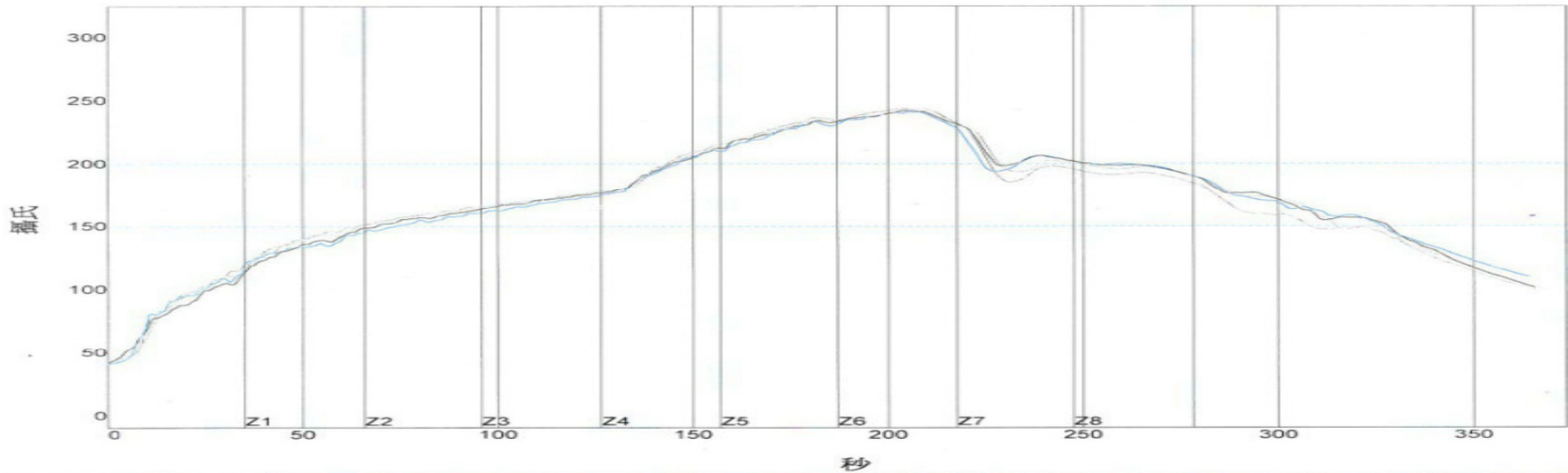


About Fixture:



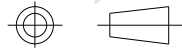
About IR Reflow Profile:

溫度設置 (攝氏)	1	2	3	4	5	6	7	8
溫區								
上溫區	160	180	180	180	190	245	265	260
下溫區	160	180	180	180	190	245	265	260
傳送帶速度 (米/分):	0.95							



PWI= 61%	最高上升斜率	最高下降斜率	恢復時間150至200C	回流時間 /220C	最高溫度					
CON1	2.81	-6%	-2.33	33%	80.21	-33%	60.91	-30%	242.36	-18%
CON2	2.38	-21%	-2.14	43%	75.61	-48%	57.41	-42%	241.74	-22%
CON3	2.81	-6%	-2.84	8%	77.79	-41%	58.66	-38%	243.44	-10%
CON4	2.83	-6%	-2.34	33%	72.24	-59%	51.64	-61%	240.92	-27%
溫差	0.45	0.70			7.97		9.27		2.52	

UNIT: mm



TOLERANCE
 .X ±0.25
 .XX ±0.1
 .XXX ±0.05
 ANGLES ±1°

TITLE WATERPROOF MICRO-AB USB
 PANEL 20MAB F CONN JACK LENGHT PIN

SCALE Free SIZE A4 SHEET 4 OF 4
 REV. B WC-REV. A.2 (QC): Inspection item

Amphenol LTW
 安費諾亮泰企業股份有限公司

ITEM NO	DRAWN BY	DATE
	Jason Yu	2016/08/18
DWG NO	CHECKED BY	DATE
MUC-20PFFR-JSXX02	Arvin Chan	2016/08/18
CUSTOMER	APPROVED BY	DATE
ALTW	Kevin Hu	2016/08/18

THIS DOCUMENT IS SUBJECT TO CHANGE WITHOUT NOTICE. IT IS CONFIDENTIAL AND A PROPERTY OF Amphenol LTW. DISCLOSURE TO THIRD PARTY HAS TO BE AUTHORIZED BY Amphenol LTW.