

Product description	Contacts: 8, female connector with X-coding, dip-solder
Area	M12-D, M12-X Series 825/876 X-coding
Order number	09 3782 95 08

Illustration	Scale drawing	Contact arrangement																											
	<p>Sechskantmutter lose beigelegt Hexagon nut enclosed loose</p>	<table border="1" style="margin: 10px auto;"> <thead> <tr> <th></th> <th>X</th> <th>Y</th> </tr> </thead> <tbody> <tr><td>1</td><td>-1,40</td><td>-2,80</td></tr> <tr><td>2</td><td>-2,80</td><td>-1,40</td></tr> <tr><td>3</td><td>-2,80</td><td>1,40</td></tr> <tr><td>4</td><td>-1,40</td><td>2,80</td></tr> <tr><td>5</td><td>1,40</td><td>2,80</td></tr> <tr><td>6</td><td>2,80</td><td>1,40</td></tr> <tr><td>7</td><td>2,80</td><td>-1,40</td></tr> <tr><td>8</td><td>1,40</td><td>-2,80</td></tr> </tbody> </table> <p>1 weiß-orange/white-orange 2 orange/orange 3 weiß-grün/white-green 4 grün/green 5 weiß-braun/white-brown 6 braun/brown 7 weiß-blau/white-blue 8 blau/blue</p> <p>Schirm auf Gehäuse shield on housing</p>		X	Y	1	-1,40	-2,80	2	-2,80	-1,40	3	-2,80	1,40	4	-1,40	2,80	5	1,40	2,80	6	2,80	1,40	7	2,80	-1,40	8	1,40	-2,80
	X	Y																											
1	-1,40	-2,80																											
2	-2,80	-1,40																											
3	-2,80	1,40																											
4	-1,40	2,80																											
5	1,40	2,80																											
6	2,80	1,40																											
7	2,80	-1,40																											
8	1,40	-2,80																											

You can find the component part drawing and assembly instructions on the next page.

Technical data

General values

Connector design	cable connector
Connector locking system	bolted
Termination	dip-solder
Upper limit temperature	85 °C
Lower limit temperature	-40 °C

Cable data

Approval 1	UL
------------	----

Electrical values

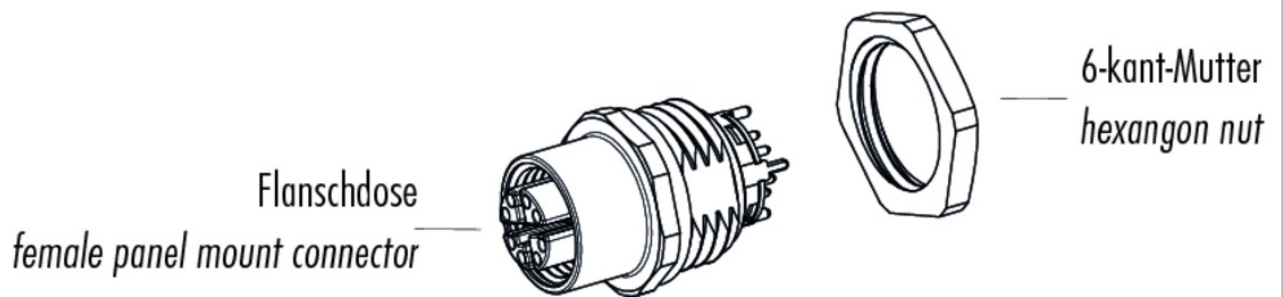
Rated voltage	50V AC, 60V DC V
Pollution degree	3
Overvoltage category	II
Insulating material group	III
Rated current (40 °C)	0,5 A
Volume resistivity	≤ 15 mΩ
EMC compliance	shielded
Degree of protection	IP67
Mechanical operation	> 100 Mating cycles

Material

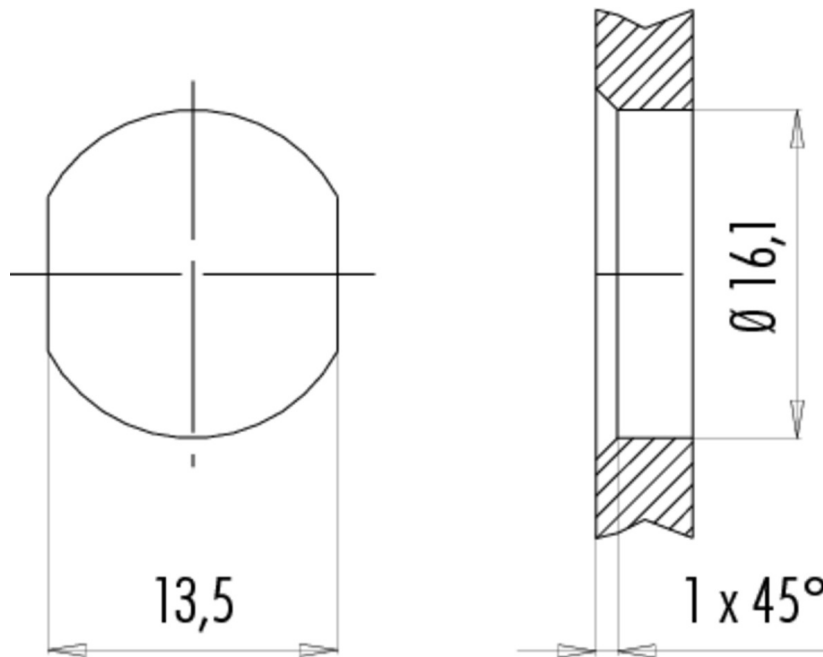
Contact material	CuSn (bronze)
Contact plating	Au (gold)
Contact body material	PA

Product description **Contacts: 8, female connector with X-coding, dip-solder**
Area **M12-D, M12-X Series 825/876 X-coding**
Order number **09 3782 95 08**

Component part drawing



Assembly instructions / Panel cut-out

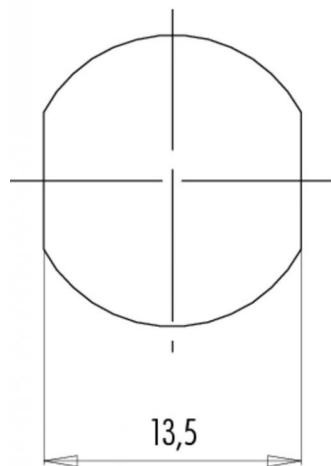


Product description **Contacts: 8, female connector with X-coding, dip-solder**

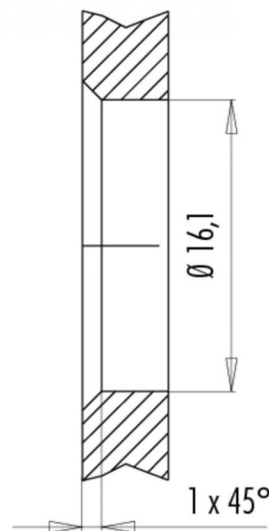
Area **M12-D, M12-X Series 825/876 X-coding**
Order number **09 3782 95 08**

Assembly instructions / Panel cut-out

Mit Fläche als Verdrehschutz
With flats as anti-rotation device



Mit Durchgangsbohrung
With bore hole



Product description	Contacts: 8, female connector with X-coding, dip-solder
Area	M12-D, M12-X Series 825/876 X-coding
Order number	09 3782 95 08

Sicherheitshinweise

The connectors are designed for use in plant, control system and electrical equipment. The end user is responsible for checking whether the connectors are suitable for use in other applications.

Connectors with degree of protection IP 67 and IP 68 are not suitable for use under water. When used outdoors, the connectors must be separately protected against corrosion. For further information about IP degrees of protection refer to 'Technical support' in the Download Centre.

To lock the cable connector to the equipment connector, the threaded ring is tightened until it is 'finger-tight' (approx. 50 cNm).