

**60**mm sq.

# San Ace 60



## General Specifications

- Material ..... Frame: Plastics (Flammability: UL94V-0),  
Impeller: Plastics (Flammability: UL94V-0)
- Expected Life ..... Refer to specifications (L10:Survival rate:90% at 60°C ,  
rated voltage, and continuously run in a free air state)
- Lead Wire ..... ⊕red ⊖black or blue (Sensor) yellow
- Storage Temperature ..... -30°C to +70°C (Non-condensing)

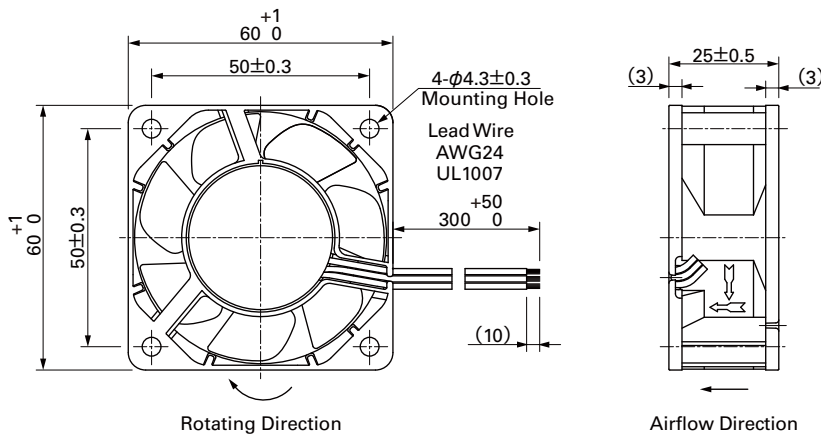
## 60×60×25mm (Mass : 80g) 9Atype San Cooler

**Specifications** The following nos. **have pulse sensors and ribs.** For ribless, append "1" to the model no.

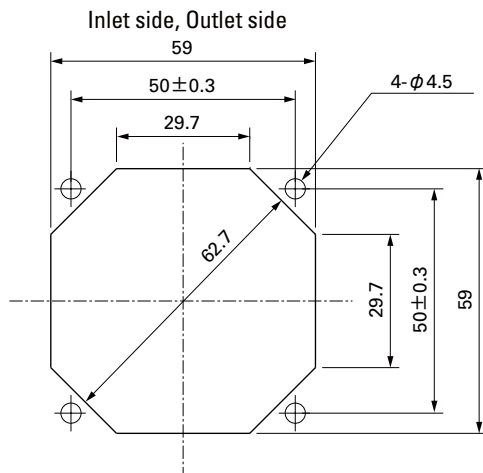
Model No.	Rated Voltage [V]	Operating Voltage Range [V]	Rated Current [A]	Rated Input [W]	Rated Speed [min <sup>-1</sup> ]	Max. Airflow [m <sup>3</sup> /min] [CFM]	Max. Static Pressure [Pa] [inchH <sub>2</sub> O]	SPL [dB(A)]	Operating Temperature [°C]	Expected Life [h]
9A0612G401	12	6 to 13.2	0.24	2.88	5,600	0.78 27.6	87.3 0.351	39	-20 to +60	30,000/60°C
9A0612S401			0.17	2.04	4,600	0.65 23.0	56.8 0.228	33		
9A0612H401		6 to 13.8	0.11	1.32	3,800	0.53 18.7	40.2 0.161	28		
9A0612F401			0.09	1.08	3,200	0.44 15.5	29.4 0.118	24		
9A0612M401		7 to 13.8	0.06	0.72	2,600	0.36 12.7	19.6 0.079	20		
9A0624G401	24	12 to 27.6	0.13	3.12	5,600	0.78 27.6	87.3 0.351	39	-20 to +60	30,000/60°C
9A0624S401			0.08	1.92	4,600	0.65 23.0	56.8 0.228	33		
9A0624H401		12 to 27.6	0.06	1.44	3,800	0.53 18.7	40.2 0.161	28		
9A0624F401			0.05	1.2	3,200	0.44 15.5	29.4 0.118	24		
9A0624M401		14 to 27.6	0.04	0.96	2,600	0.36 12.7	19.6 0.079	20		

Models without sensors, or with lock sensors, or PWM control function are available as options. Please refer to the index (pp. 469 to 470).

## Dimensions (unit: mm) (With ribs)



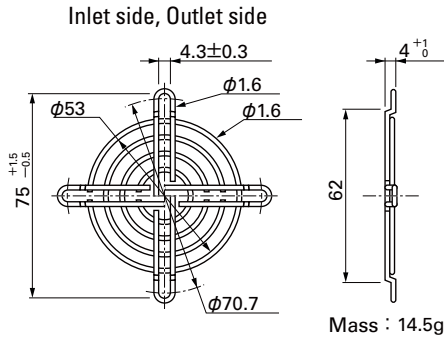
## Reference Dimensions of Mounting Holes and Vent Opening (unit: mm)



**Options (unit: mm)**

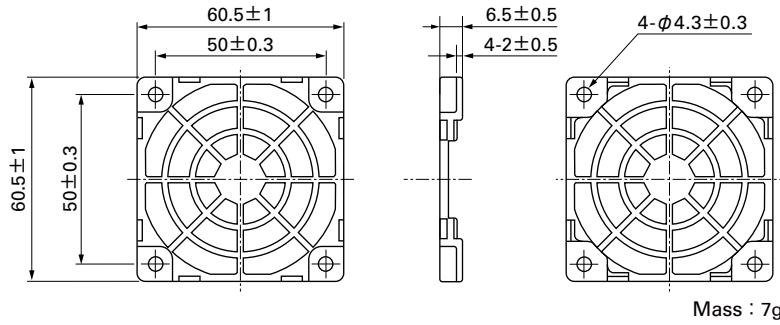
**Finger Guards**

Model : 109-139E Surface treatment : Nickel-chrome plating (silver) Color : 109-139H : Cation electropainting (black)



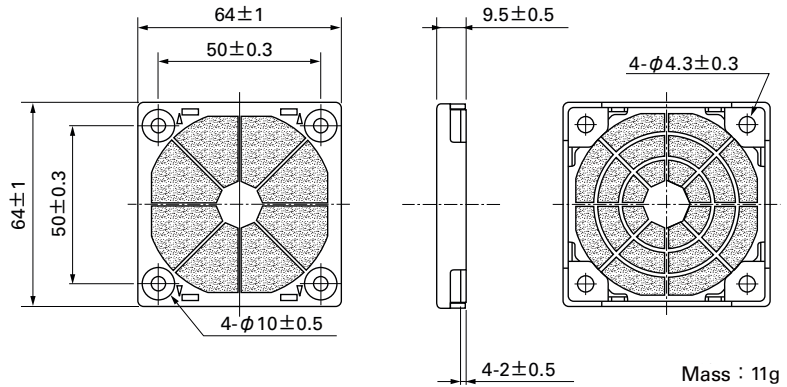
**Resin Finger Guards**

Model : 109-1003G

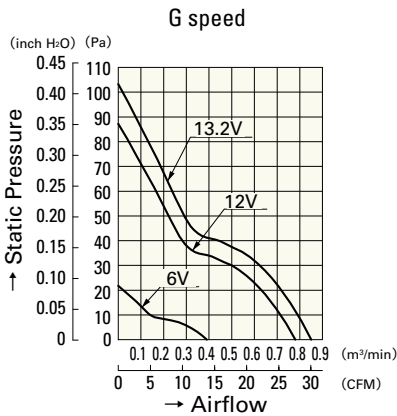


**Resin Filter Kits**

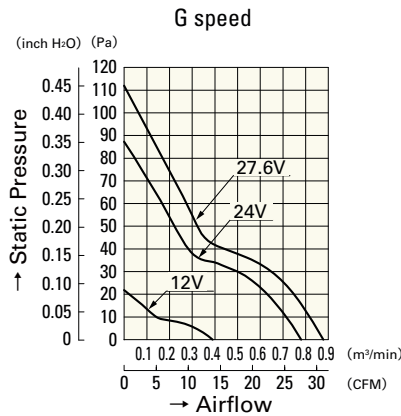
Model : 109-1003F13 (13PPI), 109-1003F20 (20PPI) : 109-1003F30 (30PPI), 109-1003F40 (40PPI)



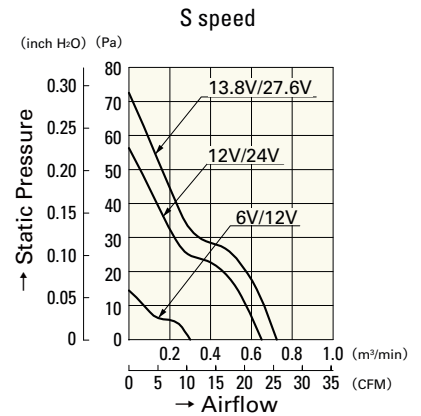
**Airflow - Static Pressure Characteristics**



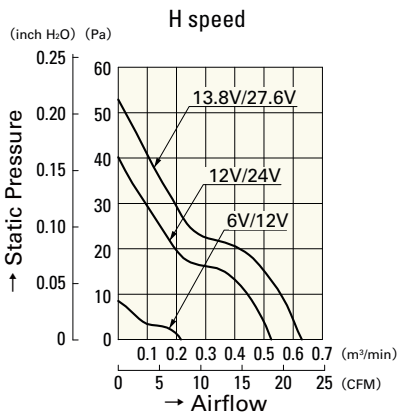
**9A0612G401**



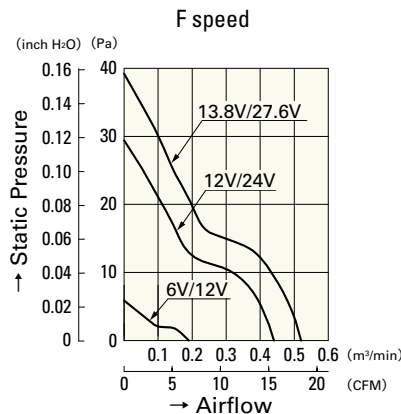
**9A0624G401**



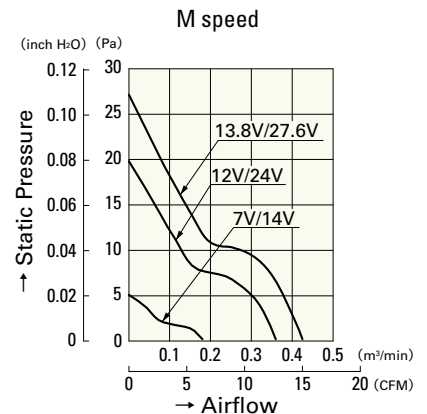
**9A0612S401**  
**9A0624S401**



**9A0612H401**  
**9A0624H401**



**9A0612F401**  
**9A0624F401**



**9A0612M401**  
**9A0624M401**