

## Sample set - SAMPLE PTSM 0,5/ 8-2,5-H-SMD - 1701083

Please be informed that the data shown in this PDF Document is generated from our Online Catalog. Please find the complete data in the user's documentation. Our General Terms of Use for Downloads are valid (<http://phoenixcontact.com/download>)

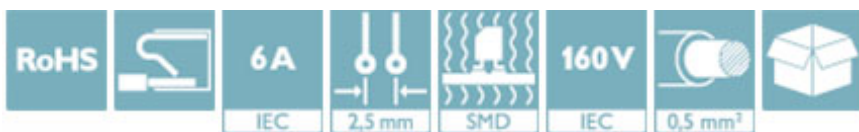


PCB terminal block, Nominal current: 6 A, Nom. voltage: 160 V, Pitch: 2.5 mm, Number of positions: 8, Connection method: Push-in spring connection, Mounting: SMD soldering, Conductor/PCB connection direction: 0 °, Color: black


The illustration shows the 3-pos. version

### Why buy this product

- ✓ Time saving push-in connection, tools not required
- ✓ Defined contact force ensures that contact remains stable over the long term
- ✓ High current carrying capacity of 6 A in very compact dimensions
- ✓ Designed for integration into the SMT soldering process
- ✓ Additional solder anchors reduce the mechanical strain on the soldering spots



### Key Commercial Data

|                                      |   |
|--------------------------------------|---|
| Packing unit                         | 5 STK   |
| Minimum order quantity               | 5 STK   |
| GTIN                                 | <br>4 046356 515160 |
| GTIN                                 | 4046356515160   |
| Weight per Piece (excluding packing) | 1.920 g   |
| Custom tariff number                 | 85369010  |
| Country of origin                    | India   |

### Technical data

#### Dimensions

|                          |         |
|--------------------------|---------|
| Length                   | 9 mm    |
| Pitch                    | 2.5 mm  |
| Dimension a              | 17.5 mm |
| Height                   | 5 mm    |
| Length of the solder pin | 2 mm    |
| Pin spacing              | 2.5 mm  |

## Sample set - SAMPLE PTSM 0,5/ 8-2,5-H-SMD - 1701083

### Technical data

#### General

|  |                     |
|--|---------------------|
| Range of articles                      | PTSM 0,5/..-H-SMD   |
| Insulating material group              | IIIa                |
| Rated surge voltage (III/3)            | 2.5 kV              |
| Rated surge voltage (III/2)            | 2.5 kV              |
| Rated surge voltage (II/2)             | 2.5 kV              |
| Rated voltage (III/3)                  | 32 V                |
| Rated voltage (III/2)                  | 160 V               |
| Rated voltage (II/2)                   | 160 V               |
| Connection in acc. with standard       | EN-VDE              |
| Nominal current $I_N$                  | 6 A                 |
| Nominal cross section                  | 0.5 mm <sup>2</sup> |
| Maximum load current                   | 6 A                 |
| Insulating material                    | LCP                 |
| Solder pin surface                     | Sn                  |
| Flammability rating according to UL 94 | V0                  |
| Stripping length                       | 6 mm                |
| Number of positions                    | 8                   |

#### Connection data

|                                       |                      |
|---------------------------------------|----------------------|
| Conductor cross section solid min.    | 0.14 mm <sup>2</sup> |
| Conductor cross section solid max.    | 0.5 mm <sup>2</sup>  |
| Conductor cross section flexible min. | 0.2 mm <sup>2</sup>  |
| Conductor cross section flexible max. | 0.5 mm <sup>2</sup>  |
| Conductor cross section AWG min.      | 26                   |
| Conductor cross section AWG max.      | 20                   |

#### Standards and Regulations

|  |        |
|--|--------|
| Connection in acc. with standard       | EN-VDE |
| Flammability rating according to UL 94 | V0     |

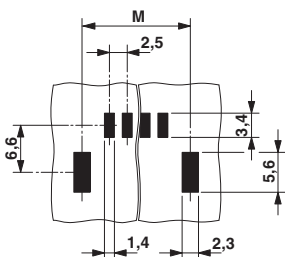
#### Environmental Product Compliance

|            |   |
|------------|---|
| China RoHS | Environmentally friendly use period: unlimited = EFUP-e |
|            | No hazardous substances above threshold values          |

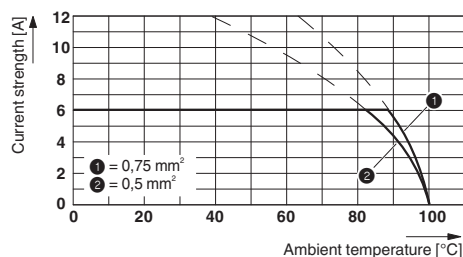
### Drawings

# Sample set - SAMPLE PTSM 0,5/ 8-2,5-H-SMD - 1701083

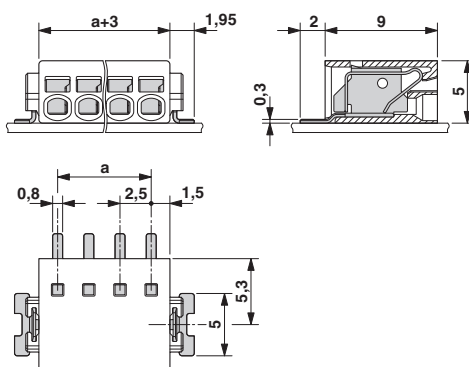
Drilling diagram



Diagram



Dimensional drawing



## Classifications

### eCl@ss

|            |          |
|------------|----------|
| eCl@ss 4.0 | 27141111 |
| eCl@ss 4.1 | 27141109 |
| eCl@ss 5.0 | 27141190 |
| eCl@ss 5.1 | 27141190 |
| eCl@ss 6.0 | 27261101 |
| eCl@ss 7.0 | 27440401 |
| eCl@ss 8.0 | 27440401 |
| eCl@ss 9.0 | 27440401 |

### ETIM

|          |          |
|----------|----------|
| ETIM 3.0 | EC001121 |
| ETIM 4.0 | EC002643 |
| ETIM 5.0 | EC002643 |
| ETIM 6.0 | EC002643 |

### UNSPSC

|               |          |
|---------------|----------|
| UNSPSC 6.01   | 30211801 |
| UNSPSC 7.0901 | 39121432 |
| UNSPSC 11     | 34131203 |
| UNSPSC 12.01  | 39121432 |

# Sample set - SAMPLE PTSM 0,5/ 8-2,5-H-SMD - 1701083

## Classifications

### UNSPSC

|             |          |
|-------------|----------|
| UNSPSC 13.2 | 39121432 |
|-------------|----------|

## Approvals

### Approvals

### Approvals

EAC

### Ex Approvals

## Approval details

|     |  |         |
|-----|--|---------|
| EAC |  | B.01742 |
|-----|--|---------|

## Accessories

### Accessories

### Screwdriver tools

Screwdriver - SZS 0,4X2,0 - 1205202



Micro screwdriver, bladed, size: 0.4 x 2.0 x 60 mm, 2-component grip, with non-slip grip and twist cap

## Additional products

PCB terminal block - PTSM 0,5/ 8-2,5-H SMD R44 - 1771088



PCB terminal block, Nominal current: 6 A, Nom. voltage: 160 V, Pitch: 2.5 mm, Number of positions: 8, Connection method: Push-in spring connection, Mounting: SMD soldering, Conductor/PCB connection direction: 0 °, Color: black