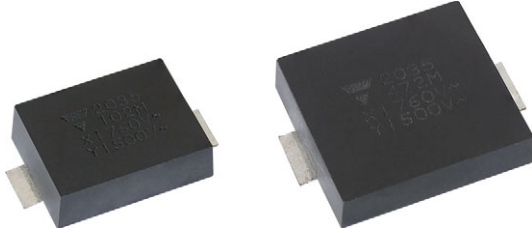


# EMI Suppression Safety Capacitor, Ceramic Disc, Class X1, 760 V<sub>AC</sub>, Class Y1, 500 V<sub>AC</sub>


**LINKS TO ADDITIONAL RESOURCES**


QUICK REFERENCE DATA	
DESCRIPTION	VALUE
Ceramic class	2
Ceramic dielectric	Y5U
Voltage (V <sub>AC</sub> )	500      760
Min. capacitance (pF)	470
Max. capacitance (pF)	4700
Mounting	Surface-mount (reflow soldering)

**OPERATING TEMPERATURE RANGE**

-55 °C to +125 °C

**TEMPERATURE CHARACTERISTICS**

Y5U

**SECTIONAL SPECIFICATIONS**

 Climatic category (according to EN 60058-1)  
 Class 2: 55 / 125 / 21

**MOLDING**

 According to UL 94 V-0  
 Epoxy resin, isolating, flame retardant  
 Halogen-free  
 Reinforced insulation  
 Moisture sensitivity level: MSL 2a

**APPROVALS**

 IEC 60384-14  
 UL 60384-14  
 DIN EN 60384-14  
 CSA E60384-1:14, CSA E60384-14:14  
 CQC11-471112-2015

**FEATURES**

- AEC-Q200 qualification planned for Q4/2024
- Complying with IEC 60384-14
- Humidity class IIB annex I achieved
- Singlelayer AC disc safety capacitors
- Mounting: surface-mount
- Material categorization:  
for definitions of compliance please see  
[www.vishay.com/doc?99912](http://www.vishay.com/doc?99912)


**RoHS**  
 COMPLIANT  
 HALOGEN  
**FREE**
**APPLICATIONS**

- X1, Y1 according to IEC 60384-14
- Line-to-line filtering (Class X)
- Line-to-ground filtering (Class Y)
- Primary and secondary coupling (SMPS)
- Industrial and consumer
- EMI / RFI suppression and filtering

**DESIGN**

The capacitor consists of a ceramic disc which is copper plated on both sides. Encapsulation is made of flame retardant epoxy resin in accordance with UL 94 V-0.

**CAPACITANCE RANGE**

470 pF to 4700 pF

**RATED VOLTAGE U<sub>R</sub>**

IEC 60384-14:

 (X1): 760 V<sub>AC</sub>, 50 Hz

 (Y1): 500 V<sub>AC</sub>, 50 Hz

 Annex H: 1500 V<sub>DC</sub>
**TEST VOLTAGE**

Component test (100 %):

 4000 V<sub>AC</sub>, 50 Hz, 2 s

Random sampling test (destructive test):

 4000 V<sub>AC</sub>, 50 Hz, 60 s

Voltage proof of molding (destructive test):

 4000 V<sub>AC</sub>, 50 Hz, 60 s

**INSULATION RESISTANCE**

≥ 10 000 MΩ

**CAPACITANCE TOLERANCE**

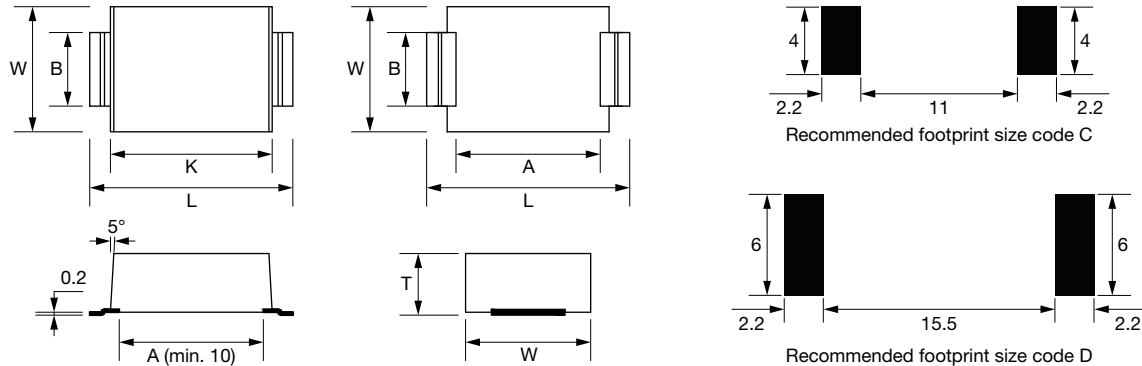
± 20 % (code M)

**DISSIPATION FACTOR**

Class 2: max. 2.5 % (1 kHz)



**DIMENSIONS** in millimeters



SIZE CODE	W (± 0.5)	L (± 0.5)	A (± 0.5)	B (± 0.5)	K (± 0.1)	T <sub>max.</sub>
C	8.60	14.80	10.50	3.50	11.80	4.00
D	14.60	19.20	15.00	5.00	16.20	4.00

**Note**

- For soldering recommendation please see [www.vishay.com/doc?28572](http://www.vishay.com/doc?28572)

**TECHNICAL DATA**

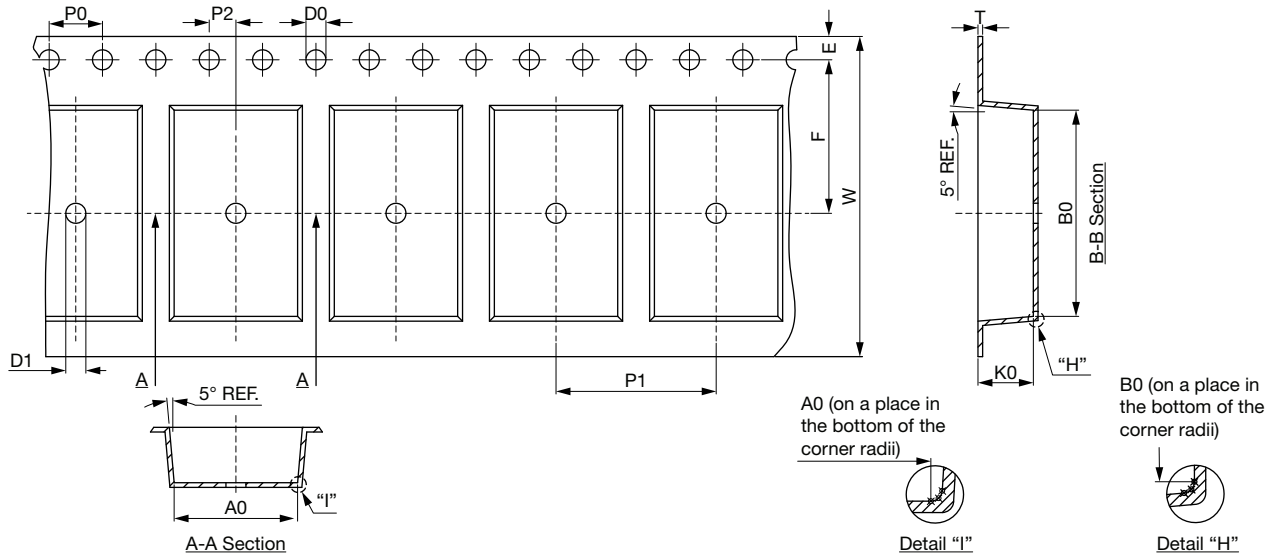
CAPACITANCE (pF)	TOLERANCE (%)	SIZE CODE	PART NUMBER
			MISSING DIGITS SEE ORDERING CODE BELOW
<b>Y5U</b>			
470	± 20	C	SMDY1471MY5UC#
680		C	SMDY1681MY5UC#
1000		C	SMDY1102MY5UC#
1500		C	SMDY1152MY5UC#
2200		D	SMDY1222MY5UD#
3300		D	SMDY1332MY5UD#
3900		D	SMDY1392MY5UD#
4700		D	SMDY1472MY5UD#

**ORDERING CODE**

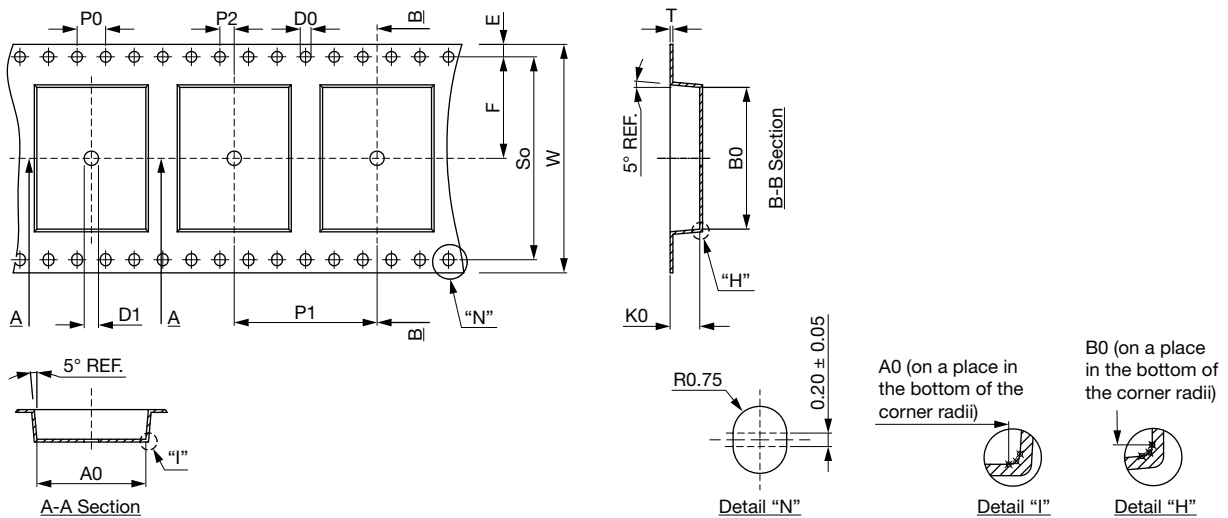
<b>Example</b>	<b>SMDY1</b>	<b>472</b>	<b>M</b>	<b>Y5U</b>	<b>D</b>	<b>B</b>
	Series	Capacitance value	Tolerance code	Temperature coefficient	Size code	Packaging code
						B = bulk R = tape and reel

**PACKAGING**

SIZE CODE	PACKAGING QUANTITIES	
	BULK	REEL
C	1000	1000
D	500	500

**CARRIER TAPE DIMENSIONS FOR SIZE CODE C in millimeters**


A0	B0	K0	P0	P1	P2	T	W	10 P0	E	F	D0	D1
9.25 ± 0.10	15.45 ± 0.10	4.15 ± 0.10	4.00 ± 0.10	12.00 ± 0.10	2.00 ± 0.10	0.35 ± 0.05	24.00 ± 0.30	40.00 ± 0.20	1.75 ± 0.10	11.50 ± 0.10	1.55 ± 0.05	1.5 min.

**CARRIER TAPE DIMENSIONS FOR SIZE CODE D in millimeters**


A0	B0	K0	P0	P1	P2	T	W	10 P0	So	E	F	D0	D1
15.25 ± 0.10	19.85 ± 0.10	4.15 ± 0.10	4.00 ± 0.10	20.00 ± 0.10	2.00 ± 0.10	0.35 ± 0.05	32.00 ± 0.30	40.00 ± 0.20	28.40 ± 0.10	1.75 ± 0.10	14.20 ± 0.10	1.50 ± 0.10	2.0 min.

APPROVALS				
IEC 60384-14 - Safety tests This approval together with CB test certificate substitutes all national approvals.				
<b>CB Certificate</b> ( <a href="http://www.vishay.com/doc?22268">www.vishay.com/doc?22268</a> )				
Y1-capacitor: CB test certificate:	DE1-63889/A2	470 pF to 4.7 nF	500 V <sub>AC</sub>	
X1-capacitor: CB test certificate:	DE1-63889/A2	470 pF to 4.7 nF	760 V <sub>AC</sub>	
<b>VDE</b> ( <a href="http://www.vishay.com/doc?22269">www.vishay.com/doc?22269</a> )				
Y1-capacitor: VDE marks approval:	40052244	470 pF to 4.7 nF	500 V <sub>AC</sub>	
X1-capacitor: VDE marks approval:	40052244	470 pF to 4.7 nF	760 V <sub>AC</sub>	
DIN EN 60384-14 (VDE 0565-1-1):2014-04; EN 60384-14:2013-08 DIN EN 60384-14/A1 (VDE 0565-1-1/A1):2017-04; EN 60384-14:2013/A1:2016				
<b>Underwriters Laboratories Inc. / Canadian Standards Association</b> ( <a href="http://www.vishay.com/doc?22271">www.vishay.com/doc?22271</a> )				
Y1-capacitor: CSA test certificate:	E183844	470 pF to 4.7 nF	500 V <sub>AC</sub>	
X1-capacitor: CSA test certificate:	E183844	470 pF to 4.7 nF	760 V <sub>AC</sub>	
UL 60384-14, CSA E60384-1:14, CSA E60384-14:14				
Fixed capacitors for electromagnetic interference suppression and connection to the supply mains.				
<b>CQC</b> ( <a href="http://www.vishay.com/doc?22270">www.vishay.com/doc?22270</a> )				
Y1-capacitor: CQC test certificate:	CQC20001274917	470 pF to 4.7 nF	500 V <sub>AC</sub>	
X1-capacitor: CQC test certificate:	CQC20001274917	470 pF to 4.7 nF	760 V <sub>AC</sub>	

MARKING	
<p>YY: year, ΔΔ: week, XXX: capacitance value, t: tolerance code <sup>(1)</sup></p>	<p>PN: SMDY1472MY5UDR Lot1: 16M2033201 DC1: 2033                  QTY: 500 Lot2: DC2:                  PO: / Batch:201543CN                  SO: / Region: 9520 SL: 0010                  Ser.No: 1543M11223                  RoHS H/F MSL: 2a                  e3 Pb-free RoHS CQC</p> <p>1/1</p>

**Note**

<sup>(1)</sup> Identify “XXX” and “t” by the ordering code

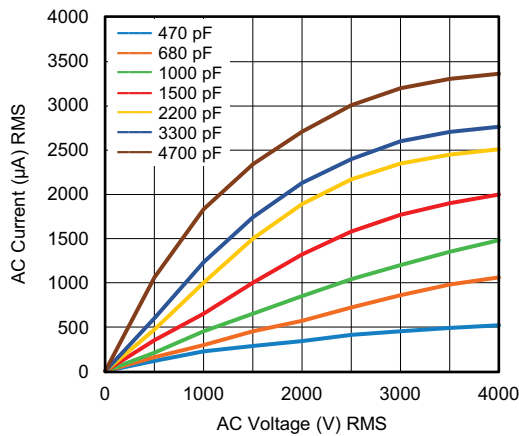
PERFORMANCE		
TEST	TEST CONDITION	TEST LIMITS
Visual and mechanical inspection	Optical inspection, dimensions measured with caliper	No visual damage, marking legible
Capacitance (C)	25 °C ± 3 °C; RH ≤ 75 %; 1.0 V <sub>RMS</sub> ± 0.2 V <sub>RMS</sub> at 1 kHz	Capacitance within specified tolerance
Dissipation factor (DF)		DF ≤ 2.5 %
Insulation resistance (IR)	Measured with 60 s ± 5 s after charging at 500 V <sub>DC</sub>	Min. 10 000 MΩ
Dielectric strength	4000 V <sub>AC</sub> at 50 Hz / 60 Hz for 1 min 50 mA max.	No failure
Solderability of termination	Immerse in solder bath for 2 s with 255 °C ± 5 °C after fluxing	95 % of the terminations are to be soldered
Impulse voltage	3 pulses of 8 kV	No failure

PERFORMANCE				
TEST	TEST CONDITION	TEST LIMITS		
Life test	125 °C; 1.5 kV <sub>AC</sub> at 50 Hz; 1000 h 125 °C; 2250 V <sub>DC</sub> ; 1000 h	No visual damage		
		$\Delta C/C < \pm 15 \%$		
		DF $\leq 5 \%$		
		IR $\geq 3000 \text{ M}\Omega$		
		Dielectric strength: no failure		
Humidity test	500 h +48 h / -0 h; 40 °C $\pm$ 2 °C; 90 % to 95 % RH; 760 V <sub>AC</sub> at 50 Hz 500 h +48 h / -0 h; 40 °C $\pm$ 2 °C; 90 % to 95 % RH; 1500 V <sub>DC</sub>	No visual damage		
		$\Delta C/C < \pm 15 \%$		
		DF $\leq 5 \%$		
		IR $\geq 3000 \text{ M}\Omega$		
		Dielectric strength: no failure		
	500 h +48 h / -0 h; 40 °C $\pm$ 2 °C / 90 % to 95 % RH; 0 V loading	No visual damage		
		$\Delta C/C < \pm 15 \%$		
		DF $\leq 5 \%$		
		IR $\geq 3000 \text{ M}\Omega$		
		Dielectric strength: no failure		
	500 h +48 h / -0 h; 85 °C $\pm$ 3 °C / 85 % RH; 760 V <sub>AC</sub> at 50 Hz 500 h +48 h / -0 h; 85 °C $\pm$ 3 °C / 85 % RH; 1500 V <sub>DC</sub>	No visual damage		
		$\Delta C/C < \pm 15 \%$		
		DF $\leq 5 \%$		
		IR $\geq 3000 \text{ M}\Omega$		
		Dielectric strength: no failure		
Robustness of termination	Shear test: 17.7 N for 10 s $\pm$ 1 s for soldered on PCB	No damage to capacitor body and pin		
	Bending test: 1 mm bending constant for 5 s $\pm$ 1 s			
	Resistance to soldering heat (solder bath)		20 mm/s dipping speed; dwell 10 s at 2 mm dipping; 260 °C $\pm$ 5 °C	No visual damage
				$\Delta C/C < \pm 10 \%$
				DF $\leq 5 \%$
				IR $\geq 3000 \text{ M}\Omega$
				Dielectric strength: no failure
Temperature cycling	-55 °C to +125 °C; 5 cycles	No visual damage		
		$\Delta C/C < \pm 30 \%$		
		DF $\leq 5 \%$		
		IR $\geq 3000 \text{ M}\Omega$		
		Dielectric strength: no failure		

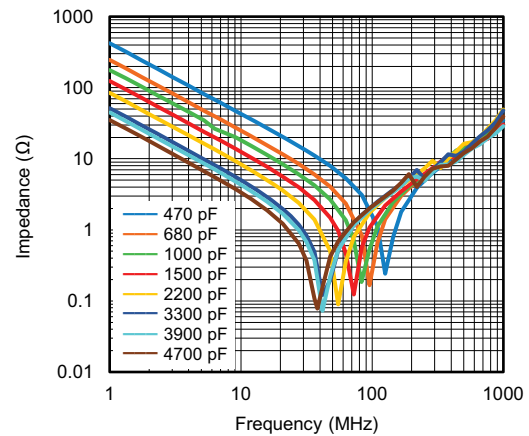


PERFORMANCE		
TEST	TEST CONDITION	TEST LIMITS
Electrical characterization	25 °C and -40 °C, +125 °C	Capacitance within specified tolerance
		DF ≤ 2.5 %
		Min. 10 000 MΩ
Mechanical shock	Half-sine; 100 g/s; 6 ms; 3 shocks each of 6 orientation	No visual damage
		ΔC/C < ± 10 %
		DF ≤ 5 %
Vibration	5 g/s; 1.5 mm amplitude; 20 min; 12 cycles each of orientation; 10 Hz to 2000 Hz	IR ≥ 10 000 MΩ
		No visual damage
		ΔC/C < ± 10 %
		DF ≤ 5 %
		IR ≥ 10 000 MΩ

**AC CURRENT VS. VOLTAGE** (Typical)



**IMPEDANCE VS. FREQUENCY** (Typical)



**Note**

- Unless stated otherwise all electrical values apply at an ambient temperature of 25 °C ± 3 °C, at normal atmospheric conditions

RELATED DOCUMENTS	
CB Test Certificate	<a href="http://www.vishay.com/doc?22268">www.vishay.com/doc?22268</a>
VDE Marks Approval	<a href="http://www.vishay.com/doc?22269">www.vishay.com/doc?22269</a>
UL Test Certificate	<a href="http://www.vishay.com/doc?22271">www.vishay.com/doc?22271</a>
CQC Test Certificate	<a href="http://www.vishay.com/doc?22270">www.vishay.com/doc?22270</a>
Soldering Recommendation	<a href="http://www.vishay.com/doc?28572">www.vishay.com/doc?28572</a>



## Disclaimer

ALL PRODUCT, PRODUCT SPECIFICATIONS AND DATA ARE SUBJECT TO CHANGE WITHOUT NOTICE TO IMPROVE RELIABILITY, FUNCTION OR DESIGN OR OTHERWISE.

Vishay Intertechnology, Inc., its affiliates, agents, and employees, and all persons acting on its or their behalf (collectively, "Vishay"), disclaim any and all liability for any errors, inaccuracies or incompleteness contained in any datasheet or in any other disclosure relating to any product.

Vishay makes no warranty, representation or guarantee regarding the suitability of the products for any particular purpose or the continuing production of any product. To the maximum extent permitted by applicable law, Vishay disclaims (i) any and all liability arising out of the application or use of any product, (ii) any and all liability, including without limitation special, consequential or incidental damages, and (iii) any and all implied warranties, including warranties of fitness for particular purpose, non-infringement and merchantability.

Statements regarding the suitability of products for certain types of applications are based on Vishay's knowledge of typical requirements that are often placed on Vishay products in generic applications. Such statements are not binding statements about the suitability of products for a particular application. It is the customer's responsibility to validate that a particular product with the properties described in the product specification is suitable for use in a particular application. Parameters provided in datasheets and / or specifications may vary in different applications and performance may vary over time. All operating parameters, including typical parameters, must be validated for each customer application by the customer's technical experts. Product specifications do not expand or otherwise modify Vishay's terms and conditions of purchase, including but not limited to the warranty expressed therein.

Hyperlinks included in this datasheet may direct users to third-party websites. These links are provided as a convenience and for informational purposes only. Inclusion of these hyperlinks does not constitute an endorsement or an approval by Vishay of any of the products, services or opinions of the corporation, organization or individual associated with the third-party website. Vishay disclaims any and all liability and bears no responsibility for the accuracy, legality or content of the third-party website or for that of subsequent links.

Except as expressly indicated in writing, Vishay products are not designed for use in medical, life-saving, or life-sustaining applications or for any other application in which the failure of the Vishay product could result in personal injury or death. Customers using or selling Vishay products not expressly indicated for use in such applications do so at their own risk. Please contact authorized Vishay personnel to obtain written terms and conditions regarding products designed for such applications.

No license, express or implied, by estoppel or otherwise, to any intellectual property rights is granted by this document or by any conduct of Vishay. Product names and markings noted herein may be trademarks of their respective owners.