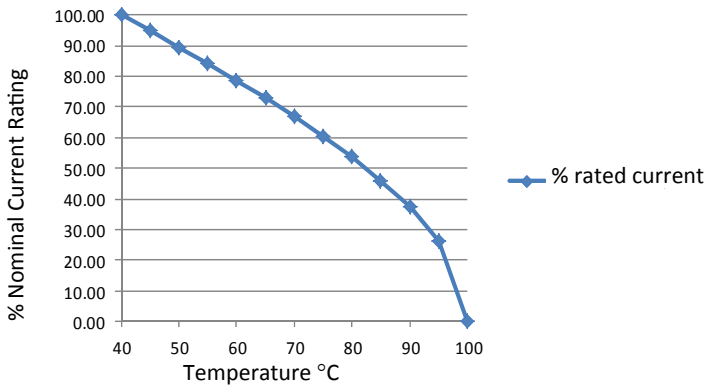


RES10 Chassis Mounted General Purpose Filters

Roxburgh's RES10 series of single phase filters are designed for fast and easy chassis mounting. Featuring excellent attenuation of conducted radio frequency interference (RFI), the RES10 series is designed for use in general purpose filtering applications.



Temperature Derating Curve for EMC Filters Rated at 40°C Ambient and 100°C Maximum



Call us on:
Tel: +44 (0) 1724 273200

Features:

- 1 Amp to 60 Amp
- Single phase general purpose
- UL approved E191581
- For use from DC to 400Hz

Benefits:

- Compact size for rated current
- Fast-on, screw or wire terminations
- Quick and Easy Mounting
- Available from UK Stock

Application Examples:

- Lighting
- Electrical and electronic equipment
- Consumer goods
- Household equipment
- Building automation
- Machinery
- Electronic data/communication processing equipment
- Office automation

Full technical specification on page 2

Performance Curves on page 3

Other options in this range on page 4

DEM Manufacturing
Deltron Emcon House
Hargreaves Way
Sawcliffe Industrial Park
Scunthorpe, North Lincolnshire.
DN15 8RF

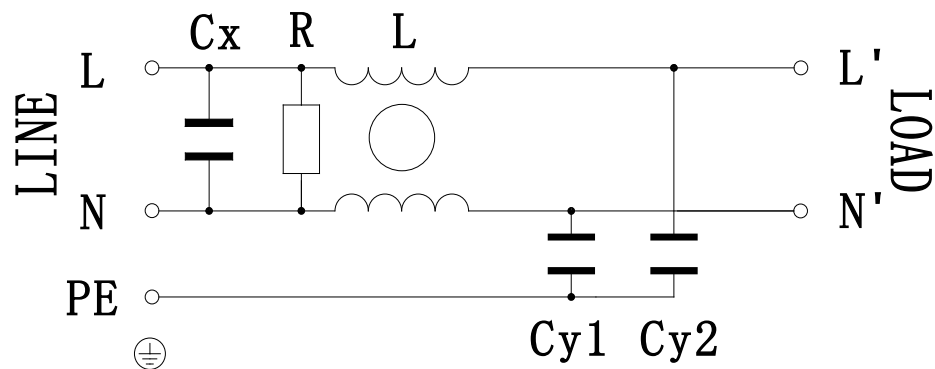
ROXBURGH EMC



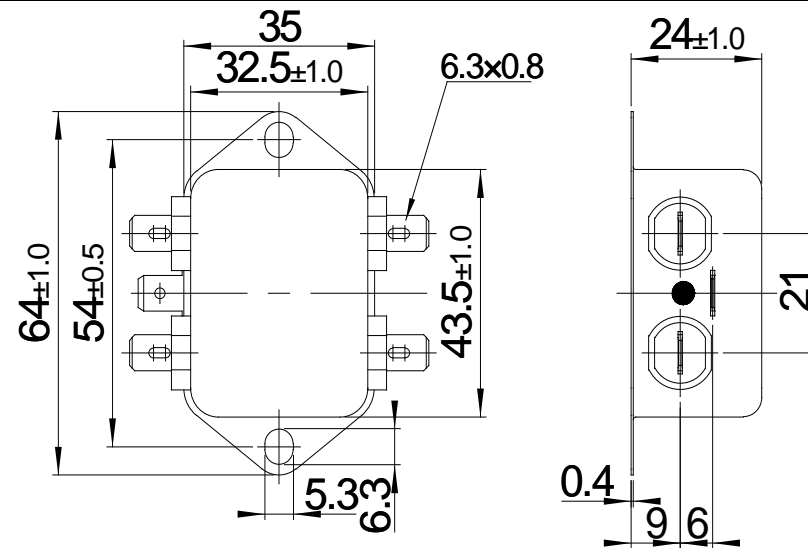
Tel: +44 (0) 1724 273200
Email: sales@dem-uk.com

Web: www.dem-uk.com/roxburgh

Circuit diagram:



Dimensions(mm):



Electrical parameters:

Rated Voltage:	120/250VAC
Rated Current at an ambient temp:	13A@40°C
Operating Frequency:	50/60Hz
Climatic Class(IEC60068-1):	25/100/21
Operational Leakage current: (at 250VAC/50Hz and Total C +/-20%)	0.8mA max (RES10F13-M 0mA)
Operational Leakage current: (at 120VAC/60Hz and Total C +/-20%)	0.46mA max (RES10F13-M 0mA)
Test Voltage(100%)for 2 sec:	L-N:
	L/N-PE:
	1100VDC/20mA
	2250VDC/20mA

Filter parameters:

Total Inductance(L-L'/N-N'):	0.7mH +50%,-35%
Total Capacitance(L-N/L'-N'):	0.1uF +/-20%
Total Capacitance(L/N-PE) (RES10F13-M):	9.4nF +/-20% (0nF)
Total Resistance(L-N/L'-N'):	1MΩ +/-10%
Weight(Approximate):	70g

Safety certification **Technical Specification**

UL	<input checked="" type="checkbox"/>	CSA	<input checked="" type="checkbox"/>	compiled by	Jay Zhang	2020-8-5
ENEC	<input checked="" type="checkbox"/>	CQC	<input type="checkbox"/>	reviewed by	Pallas Wang	2020-8-5
CE	<input checked="" type="checkbox"/>	VDE	<input type="checkbox"/>	approved by	Henry Huang	2020-8-5

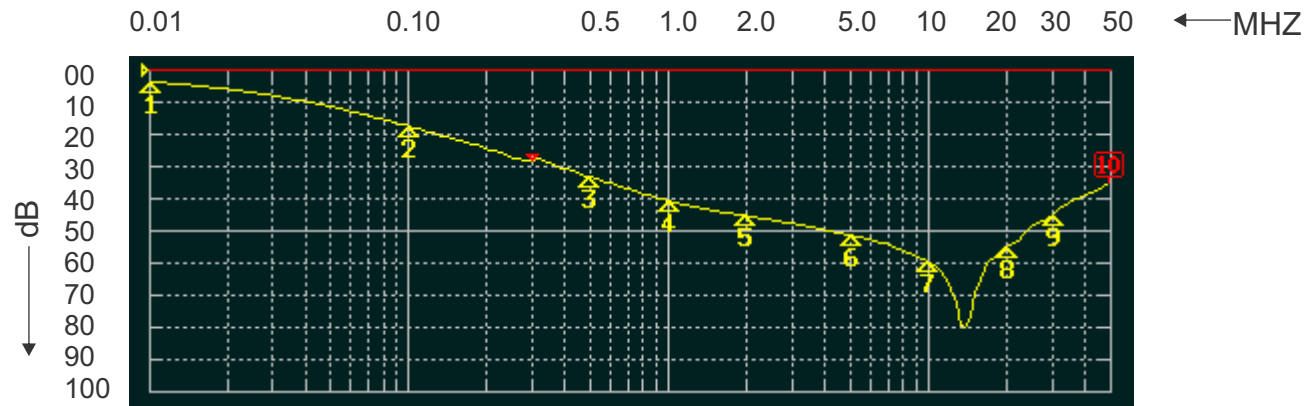
ROXBURGH EMC  +44 (0)1724 273200
sales@dem-uk.com
www.dem-uk.com/roxburgh

Part **RES10F13**
Number (Alternate RES10F13-M - no Y caps)

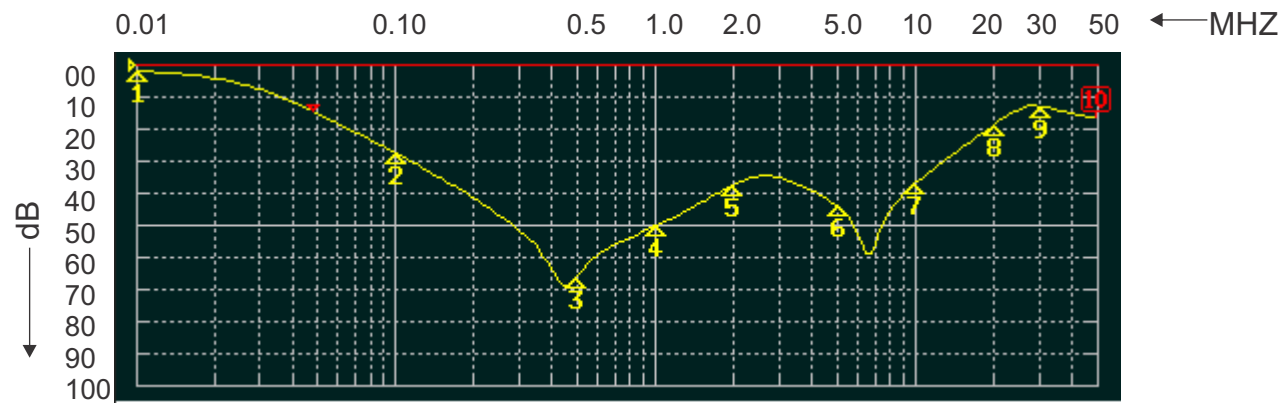
single-phase emc filter
stage marker V1.03

ROXBURGH EMC
FILTER INSERTION LOSS CHARACTERISTICS
CISPR 17 - 50 OHM METHOD

RES10F13



COMMON MODE



DIFFERENTIAL MODE



RES10 Chassis Mounted General Purpose Filters

Options Available:

Part Number	Rated Current @40°C A	Leakage Current @ 230V/50Hz mA	Inductance ΣL mH	Capacitance ΣCx uF	Capacitance ΣCy nF	Resistance ΣR K Ω	Connection Type		
									
RES10F01	1	0.74	12	0.1	9.4	1000	F	W	
RES10F03	3	0.74	2.5	0.1	9.4	1000	F	W	
RES10F06	6	0.74	1.0	0.1	9.4	1000	F	W	
RES10F10	10	0.74	0.8	0.1	9.4	1000	F	W	
RES10F12	12	0.74	0.7	0.1	9.4	1000	F	W	
RES10F13	13	0.74	0.7	0.1	9.4	1000	F	W	
RES10F16	16	0.74	0.7	0.1	9.4	1000	F	W	
RES10F20	20	0.74	0.6	0.1	9.4	1000	F	W	
RES10S20	20	0.74	0.6	0.1	9.4	1000		W	S
RES10S30	30	0.87	0.7	0.47	20	1000			S
RES10S60	60	0.87	1	1.5	20	330			S

Call us on:

Tel: +44 (0) 1724 273200



DEM Manufacturing

Deltron Emcon House, Hargreaves Way, Sawcliffe Industrial Park,
Scunthorpe, North Lincolnshire, DN15 8RF

Tel: +44 (0) 1724 273200

Email: sales@dem-uk.com

Web: www.dem-uk.com/roxburgh