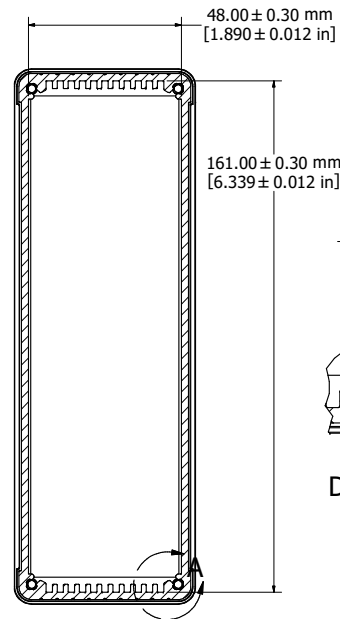
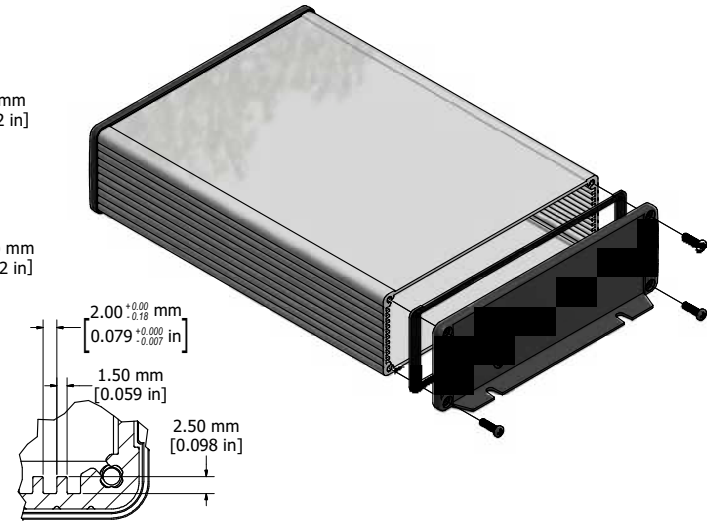


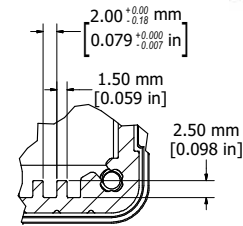
ASSEMBLY - VIEW FROM TOP



SECTION A-A



DETAIL A

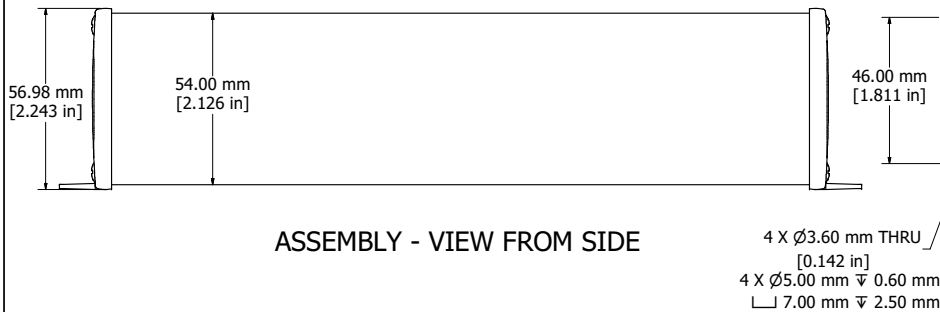


**PROTECTION TO IP 65**

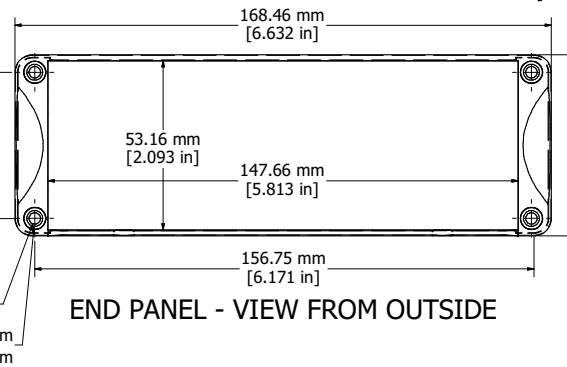
Enclosures can be Factory Modified ( Milling, Drilling, Printing etc. )  
 Contact Factory [mjm@hammondmfg.com](mailto:mjm@hammondmfg.com) for quotes  
 Solid models of this enclosure available in STEP or IGES.

**NOTE**

Purchased assembly includes box, end panels, stainless steel #6 Taptight screws, self adhesive rubber feet, gaskets and O-Rings.  
 Box made from Extruded Aluminum 6063.  
 End panels made from Type 380 Diecast Aluminum with a black powder paint finish.



ASSEMBLY - VIEW FROM SIDE



END PANEL - VIEW FROM OUTSIDE

WATERPROOF 1457T2202	
PART NUMBERS	
Clear anodized box with black powder painted end panels	1457T2202
Black powder painted box and end panels	1457T2202BK
EMI/RFI SHIELDED (IP 54)	
Clear anodized box with black powder painted end panels	1457T2202E
Black powder painted box and end panels	1457T2202EBK
ACCESSORIES	
See website for accessories.	

Fits 220mm (8.661") X 160mm (6.299") PCB

