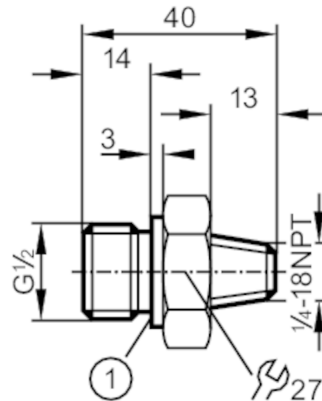


# E30059



## Mounting adapter for process sensors

ADAPT 1/4 NPT A-G1/2 A



1 sealing edge

### Application

Pressure rating [bar] 800

### Tests / approvals

Pressure Equipment Directive

A possible classification to PED depends on the application and has to be carried out by the user / operator.

Safety instructions

The compatibility between medium and product material has to be checked in all applications.

### Mechanical data

Weight [g] 94.2

Materials stainless steel (1.4571/316Ti)

Sensor connection 1/4 NPT

Process connection G 1/2

### Remarks

Pack quantity 1 pcs.