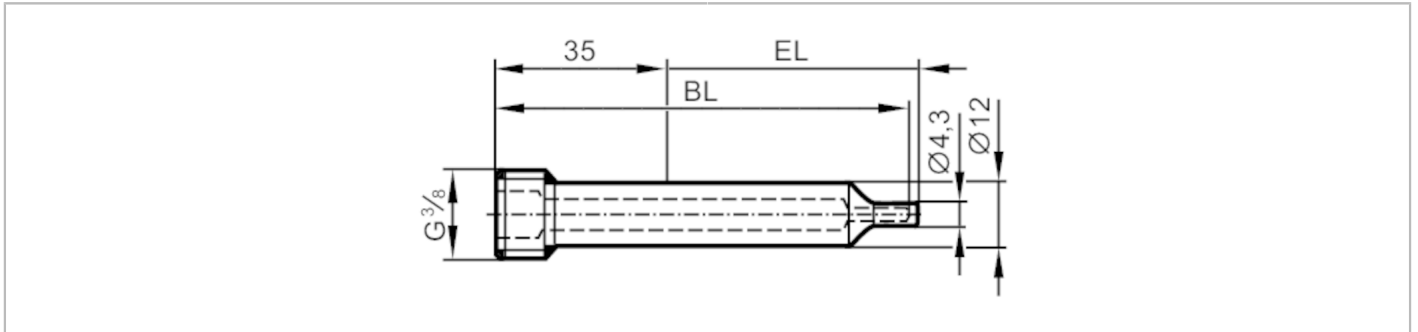


E38395



Thermowell for temperature sensors

THERMOWELL, D3/WELD-IN/EL=85



EC 1935/2004 

Application	
Design	for temperature sensors EL = 83 mm
Pressure rating [bar]	160
Mechanical data	
Weight [g]	58.3
Materials	stainless steel (1.4435 / 316L)
Sensor connection	G 3/8 internal thread Ø 3 mm
Process connection	welding adapter Ø 12 mm
Surface characteristics Ra/Rz of the wetted parts	< 0.4 / -
Installation length EL [mm]	50
Bore length BL [mm]	83
Remarks	
Pack quantity	1 pcs.