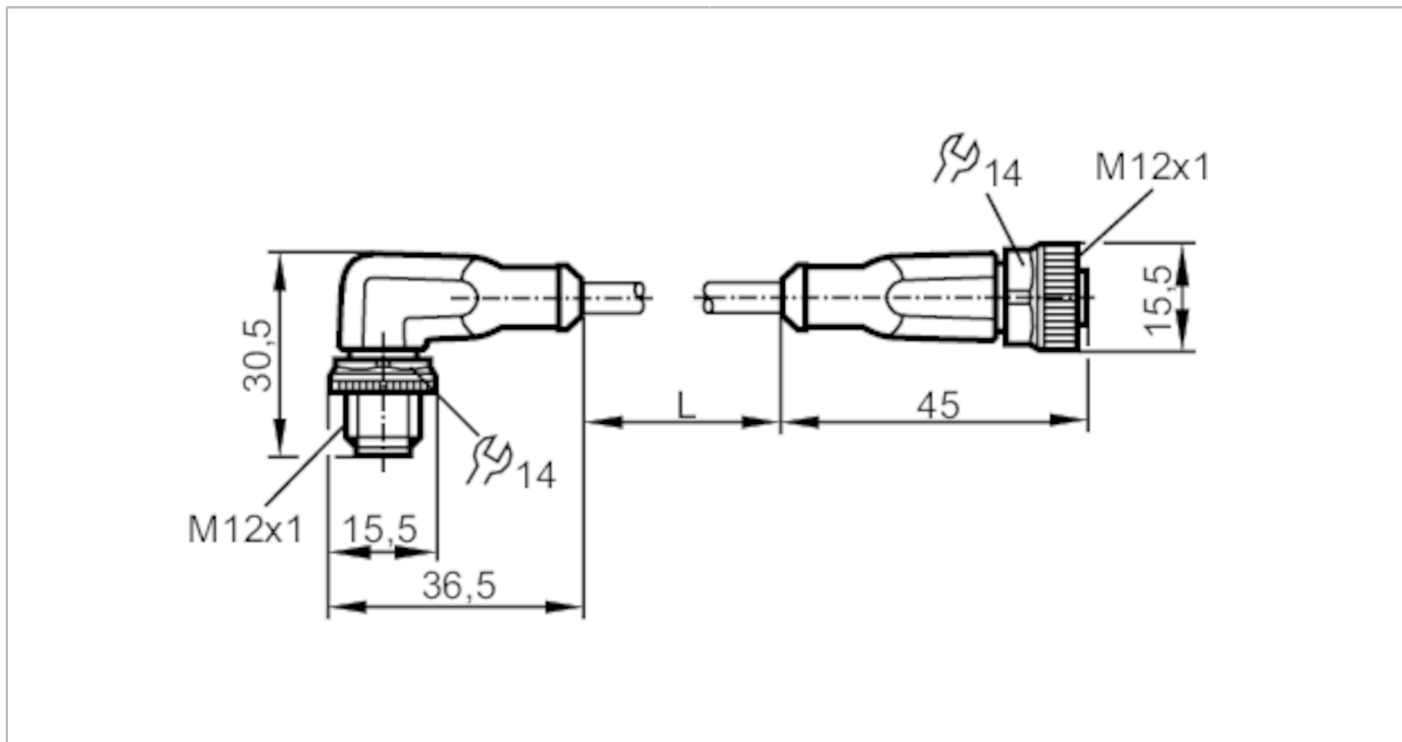


# EVC069



## Connection cable

VDOGH050MSS0005H05STAH050MSS



| Application                          |  |
|--------------------------------------|--|
| Special feature                      | Free from silicone; Halogen-free; Gold-plated contacts; Drag chain suitability |
| Free from silicone                   | yes  |
| Electrical data                      |  |
| Operating voltage [V]                | < 60 AC/DC   |
| Protection class                     | II   |
| Max. current load total [A]          | 4; (cULus: 3)  |
| Operating conditions                 |  |
| Ambient temperature [°C]             | -25...90   |
| Note on ambient temperature          | cULus: ...75   |
| Ambient temperature (moving) [°C]    | -25...90   |
| Note on ambient temperature (moving) | cULus: ...75   |
| Protection                           | IP 65; IP 67; IP 68; IP 69K  |

# EVC069



## Connection cable

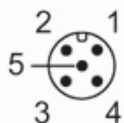
VDOGH050MSS0005H05STAH050MSS

| Mechanical data        |   |  |
|------------------------|---|--|
| Weight [g]             | 192.8                                       |  |
| Dimensions [mm]        | 30.5 x 15.5 x 36.5                          |  |
| Materials              | housing: TPU orange; Sealing: FKM           |  |
| Material nut           | brass, nickel-plated / brass, nickel-plated |  |
| Drag chain suitability | yes   |  |
| Drag chain suitability | bending radius for flexible use             | min. 10 x cable diameter   |
|                        | travel speed                                | max. 3.3 m/s for a horizontal travel length of 5 m and max. acceleration of 5 m/s <sup>2</sup> |
|                        | bending cycles                              | > 5 Mio.   |
|                        | torsional strain                            | ± 180 °/m  |
|                        |   |  |

| Remarks       |   |
|---------------|---|
| Notes         | Please see the technical note under "Downloads" |
| Pack quantity | 1 pcs.  |

### Electrical connection - plug

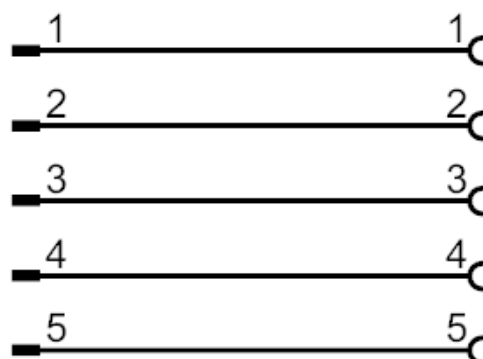
Connector: 1 x M12, angled; Locking: brass, nickel-plated; Contacts: gold-plated; Tightening torque: 0.6...1.5 Nm



### Electrical connection

Cable: 5 m, PUR, Halogen-free, black, Ø 4.6 mm; 5 x 0.34 mm<sup>2</sup> (42 x Ø 0.1 mm )

### Connection



### Electrical connection - socket

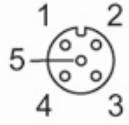
Connector: 1 x M12, straight; Locking: brass, nickel-plated; Contacts: gold-plated; Tightening torque: 0.6...1.5 Nm

# EVC069

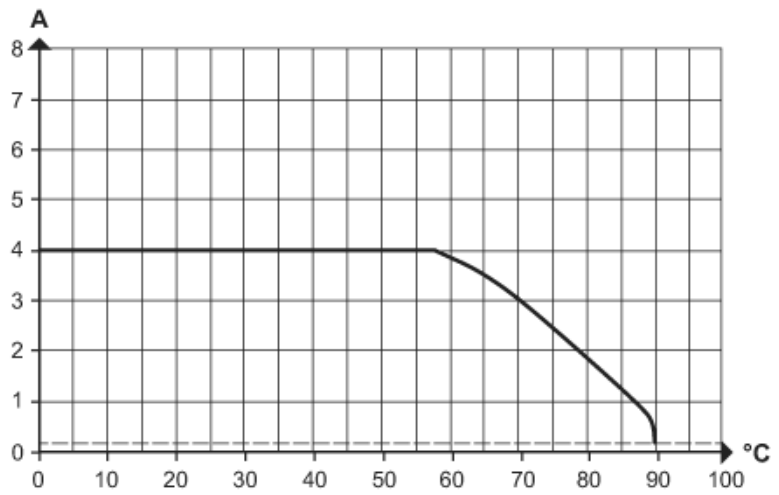


## Connection cable

VDOGH050MSS0005H05STAH050MSS



### Diagrams and graphs



Derating  $I_{max} * 0.8$  DIN EN 60512-5-2

X Ambient temperature [°C]

Y Current [A]