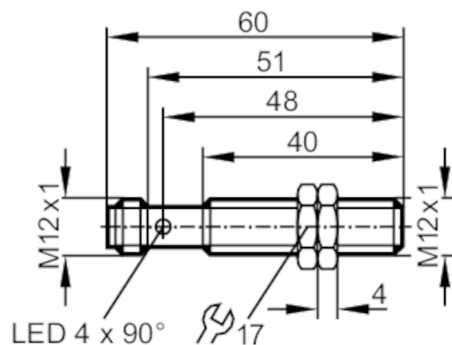


IF5750



Inductive sensor

IFK3002UBPKG/SC/US-104-DPS



Product characteristics

Electrical design		PNP
Output function		normally open
Sensing range	[mm]	2
Housing		threaded type
Dimensions	[mm]	M12 x 1 / L = 60

Application

Special feature		Magnetic-field immune
Magnetic-field immune		yes

Electrical data

Operating voltage	[V]	10...36 DC
Current consumption	[mA]	15; (24 V)
Protection class		II
Reverse polarity protection		yes

Outputs

Electrical design		PNP
Output function		normally open
Max. voltage drop switching output DC	[V]	2.5
Permanent current rating of switching output DC	[mA]	250
Switching frequency DC	[Hz]	1000
Short-circuit protection		yes
Type of short-circuit protection		pulsed
Overload protection		yes

Detection zone

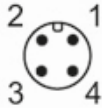
Sensing range	[mm]	2
Real sensing range Sr	[mm]	2 ± 10 %
Operating distance	[mm]	0...1.6

IF5750



Inductive sensor

IFK3002UBPKG/SC/US-104-DPS

Accuracy / deviations		
Correction factor	steel: 1 / stainless steel: 0.7 / brass: 0.5 / aluminium: 0.4	
Hysteresis [% of Sr]	1...15	
Switch point drift [% of Sr]	-10...10	
Operating conditions		
Ambient temperature [°C]	-25...70	
Protection	IP 67	
Tests / approvals		
EMC	EN 60947-5-2	
	EN 55011	class B
MTTF [years]	1906	
UL approval	Ta	0...40 °C
	Enclosure type	Type 1
	voltage supply	Hazardous voltage
	File number UL	E174191
Mechanical data		
Weight [g]	40	
Housing	threaded type	
Mounting	flush mountable	
Dimensions [mm]	M12 x 1 / L = 60	
Thread designation	M12 x 1	
Materials	housing: brass PTFE coated; sensing face: PTFE	
Displays / operating elements		
Display	switching status	1 x LED, yellow
Accessories		
Accessories (supplied)	lock nuts: 2	
Remarks		
Pack quantity	1 pcs.	
Electrical connection - plug		
Connector: 1 x M12		
		

IF5750



Inductive sensor

IFK3002UBPKG/SC/US-104-DPS

Connection

