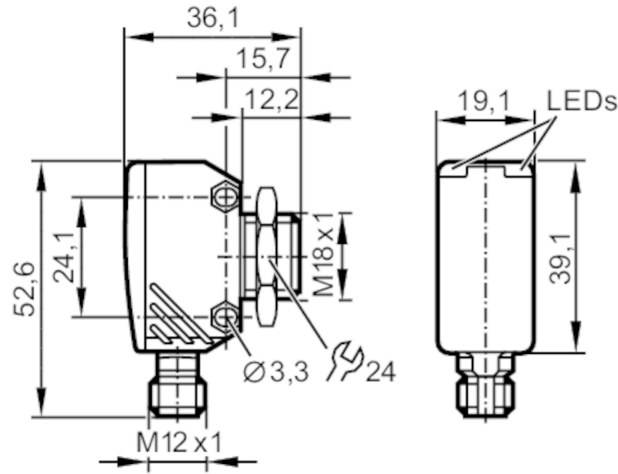


OGP283



Retro-reflective sensor

OGP-HNKG/US/CUBE



transmitter in lower lens
receiver in upper lens



Product characteristics

| | |
|-------------------------|--------------------|
| Type of light | red light |
| Communication interface | IO-Link |
| Housing | rectangular |
| Dimensions [mm] | 52.6 x 19.1 x 36.1 |

Application

| | |
|--------------------|-------------------------|
| Special feature | polarisation filter |
| Function principle | Retro-reflective sensor |

Electrical data

| | |
|-----------------------------|------------|
| Operating voltage [V] | 10...30 DC |
| Current consumption [mA] | 21 |
| Protection class | III |
| Reverse polarity protection | yes |
| Type of light | red light |
| Wave length [nm] | 662 |

Outputs

| | |
|--|---------------|
| Electrical design | NPN |
| Output function | light-on mode |
| Max. voltage drop switching output DC [V] | 2.5 |
| Permanent current rating of switching output DC [mA] | 200 |
| Switching frequency DC [Hz] | 1000 |
| Short-circuit protection | yes |
| Type of short-circuit protection | pulsed |
| Overload protection | yes |



Retro-reflective sensor

OGP-HNKG/US/CUBE

| Detection zone | | |
|---------------------------------------|------------------------------|---|
| Range referred to prismatic reflector | [m] | 0.1...4; (Prismatic reflector Ø 80 E20005) |
| Range adjustable | | no |
| Max. light spot diameter | [mm] | 160 |
| Light spot dimensions refer to | | at maximum range |
| Polarisation filter available | | yes |
| Interfaces | | |
| Communication interface | | IO-Link |
| Transmission type | | COM2 (38,4 kBaud) |
| IO-Link revision | | 1.1 |
| SDCI standard | | IEC 61131-9 |
| IO-Link device ID | | 1146 d / 00 04 7A h |
| Profiles | | Smart Sensor: Device Identification; Device Diagnosis; Teach Channel; Switching Channel |
| SIO mode | | yes |
| Required master port type | | A |
| Min. process cycle time | [ms] | 2.5 |
| IO-Link functions (cyclical) | function | bit length |
| | device status | 4 |
| | binary switching information | 1 |
| IO-Link functions (acyclical) | | application specific tag; operating hours counter; switching cycles counter |
| Note | | For further information please see the IODD PDF file at "Downloads" |
| Operating conditions | | |
| Ambient temperature | [°C] | -25...60 |
| Storage temperature | [°C] | -40...60 |
| Protection | | IP 67 |
| Tests / approvals | | |
| EMC | | EN 60947-5-2 |
| MTTF | [years] | 905 |
| UL approval | Ta | -25...60 °C |
| | Enclosure type | Type 1 |
| | voltage supply | Class 2 |
| | File number UL | E174191 |
| Mechanical data | | |
| Weight | [g] | 60 |
| Housing | | rectangular |
| Dimensions | [mm] | 52.6 x 19.1 x 36.1 |
| Materials | | diecast zinc; PEI |
| Lens material | | PMMA |
| Lens alignment | | side lens |
| Displays / operating elements | | |
| Display | switching status | 1 x LED, yellow |
| | operation | 1 x LED, green |
| Accessories | | |
| Accessories (supplied) | | lock nut: 1 x |

OGP283



Retro-reflective sensor

OGP-HNKG/US/CUBE

Remarks

Pack quantity

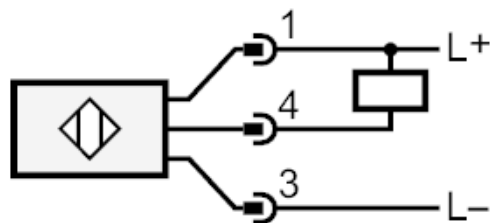
1 pcs.

Electrical connection

Connector: 1 x M12



Connection



4

OUT / IO-Link



Retro-reflective sensor

OGP-HNKG/US/CUBE

Diagrams and graphs

excess gain graph

