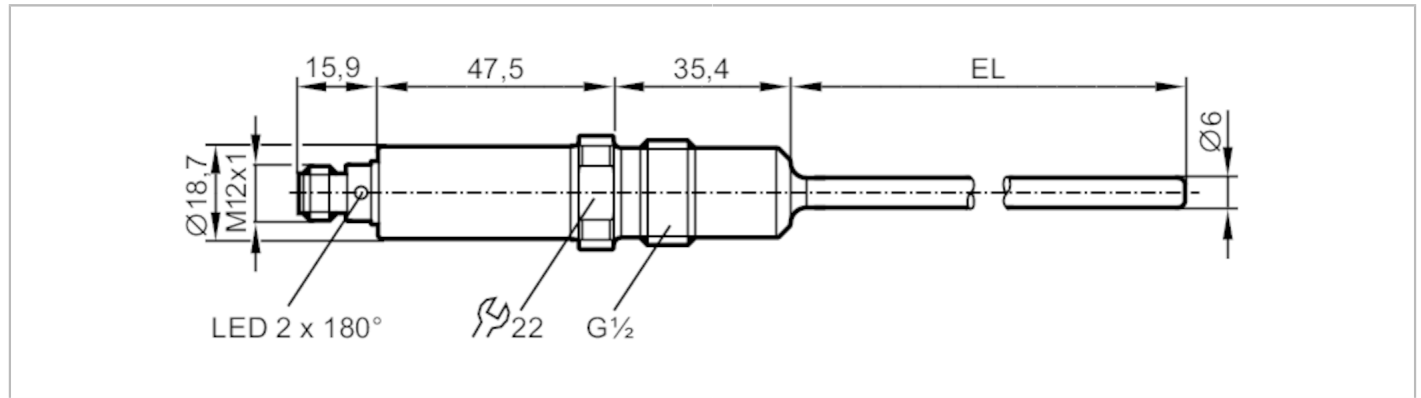


# TA2542



## Temperature transmitter

TA-150CLER12- - /US



EC 1935/2004 EHEDG Tested FCM FDA IO-Link

Product characteristics	
Number of inputs and outputs	Number of analogue outputs: 1
Measuring range [°C]	-50...200
Process connection	threaded connection G 1/2 sealing cone
Installation length EL [mm]	150
Application	
Measuring element	1 x Pt 1000; (to DIN EN 60751, class A)
Media	liquids and gases
Pressure rating [bar]	160
Vacuum resistance [mbar]	-1000
MAWP (for applications according to CRN) [bar]	160
Electrical data	
Operating voltage [V]	18...32 DC; ("supply class 2" to cULus)
Current consumption [mA]	< 50
Protection class	III
Reverse polarity protection	yes
Power-on delay time [s]	2
Inputs / outputs	
Number of inputs and outputs	Number of analogue outputs: 1
Outputs	
Total number of outputs	1
Output signal	analogue signal; IO-Link; (configurable)
Number of analogue outputs	1
Analogue current output [mA]	4...20
Max. load [Ω]	250; ((18...19 V); 19...32 V: 300 Ω)
Short-circuit protection	yes
Overload protection	yes
Measuring/setting range	
Measuring range [°C]	-50...200
Factory setting	0...200 °C

# TA2542



## Temperature transmitter

TA-150CLER12- - /US

<b>Resolution</b>		
Resolution of analogue output [K]		0.04
<b>Accuracy / deviations</b>		
Precision analogue output [K]		$\pm 0,3 + (\pm 0,1 \% \text{ MS})$
Temperature coefficient [% of the span / 10 K]		0,1; (in case of deviation from the reference condition $25 \pm 5 \text{ }^\circ\text{C}$ )
<b>Response times</b>		
Dynamic response T05 / T09 [s]		$< 0,5 / < 2$
<b>Interfaces</b>		
Communication interface		IO-Link
Transmission type		COM2 (38,4 kBaud)
IO-Link revision		1.1
<b>Operating conditions</b>		
Ambient temperature [°C]		-25...80
Note on ambient temperature		at medium temperature: $< 160 \text{ }^\circ\text{C}$
		-25...60 °C at medium temperature: $< 200 \text{ }^\circ\text{C}$
Storage temperature [°C]		-40...100
Protection		IP 67; IP 68; IP 69K
<b>Tests / approvals</b>		
EMC	DIN EN 61000-6-2	
	DIN EN 61000-6-3	
Shock resistance	DIN IEC 68-2-27	50 g (11 ms)
Vibration resistance	DIN IEC 68-2-6	10 g (10...2000 Hz)
MTTF [years]		324.3
Note on approval	factory certificate available as download at <a href="http://www.factory-certificate.ifm">www.factory-certificate.ifm</a>	
UL approval	UL Approval no.	K002
<b>Mechanical data</b>		
Weight [g]		239
Dimensions [mm]		$\varnothing 18.7$
Materials	stainless steel (1.4404 / 316L); PEI; FKM	
Materials (wetted parts)	stainless steel (1.4404 / 316L) electropolished	
Process connection	threaded connection G 1/2 sealing cone	
Surface characteristics Ra/Rz of the wetted parts		Ra: $< 0.8$
Probe diameter [mm]		6
Installation length EL [mm]		150
<b>Remarks</b>		
Remarks	MS = set measuring span The values for accuracy apply to flowing water.	
Pack quantity		1 pcs.
<b>Electrical connection</b>		
Connector: 1 x M12		

# TA2542



## Temperature transmitter

TA-150CLER12- - /US



### Connection

