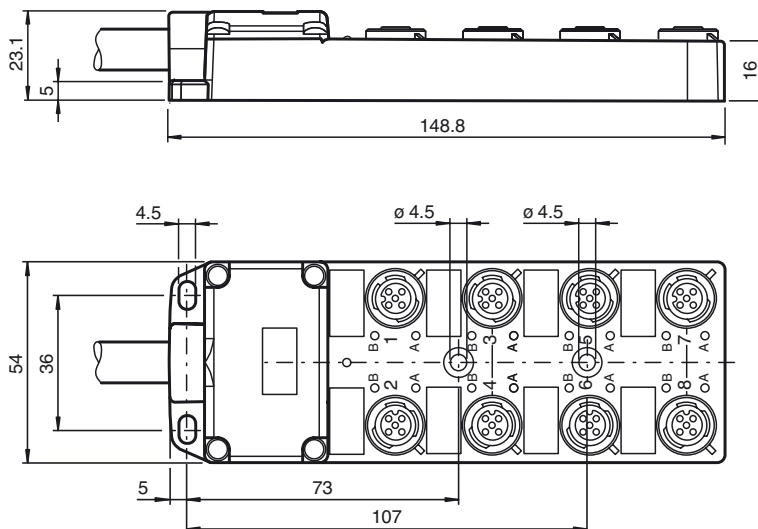




**Dimensions**



**Model Number**

**V1-8A-E2-10M-PUR**

Octuple splitter box with M12 connector with trunk cable

**Features**

- LED indicator for module supply and I/O status

**Accessories**

**VAZ-V1-B3**

Blind plug for M12 sockets

**MH 05-SACB-8**

Mounting aid for DIN rail

**MH V1-SCREWDRIVER**

torque screwdriver (0.4 Nm)

**MH V1-BIT M12**

plug-in cap M12

**Technical data**

**General specifications**

Number of pins	4
----------------	---

**Indicators/operating means**

LED green	supply voltage each module
LED yellow	I/O status indication

**Electrical specifications**

Operating voltage	$U_B$	24 V DC, max. 30 V DC
Operating current	$I_B$	≤ 5 mA per channel indication element
Current loading capacity		≤ 2 A per channel, ≤ 4 A per plug-in station, ≤ 12 A total current per separator

**Ambient conditions**

Ambient temperature	housing: -25 ... 80 °C (-13 ... 176 °F) cable, flexing: -5 ... 80 °C (23 ... 176 °F) cable, fixed: -40 ... 90 °C (-40 ... 194 °F)
---------------------	---

**Mechanical specifications**

Connection type	8 x socket M12 x 1 4-pin Master cable
Degree of protection	IP65/IP67
Material	
Contacts	Cu alloy
Contact surface	Au
Housing	PBT
Threaded bushings	PBT
Cable	PUR
Seal	O-ring: NBR
Core insulation	PVC
Cable	flexible
Sheath diameter	Ø 8.5 mm
Bending radius	> 10 x cable diameter, moving > 7.5 x cable diameter, fixed
Color	black
Cores	Signalling line (4): 8 x 0.34 mm <sup>2</sup> (AWG 22) Supply line (1, 3), PE (5): 3 x 0.75 mm <sup>2</sup> (AWG 18)
Conductor construction	19 x 0.15 mm Ø and 42 x 0.15 mm Ø
Length	L 10 m
Mass	approx. 1300 g

**Compliance with standards and directives**

Standard conformity	
Degree of protection	EN 60529
Flammability	DIN EN†50265-2-1

Release date: 2014-10-30 11:51 Date of issue: 2015-02-05 259978\_eng.xml

Refer to "General Notes Relating to Pepperl+Fuchs Product Information".

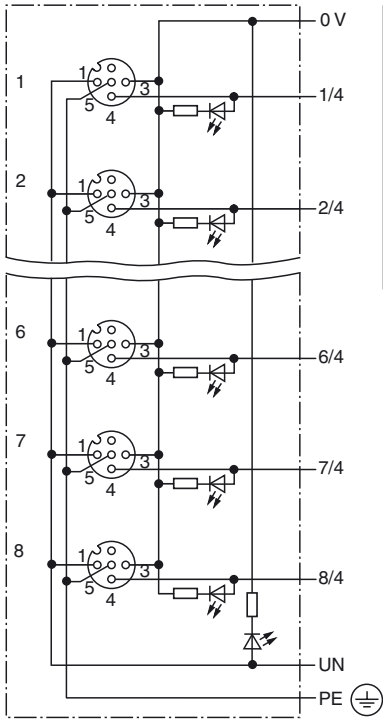
Pepperl+Fuchs Group  
www.pepperl-fuchs.com

USA: +1 330 486 0001  
fa-info@us.pepperl-fuchs.com

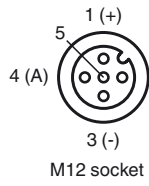
Germany: +49 621 776 4411  
fa-info@de.pepperl-fuchs.com

Singapore: +65 6779 9091  
fa-info@sg.pepperl-fuchs.com

Electrical connection



Slot/Pin (signal)	Color
1 / 4 (A)	WH
2 / 4 (A)	GN
3 / 4 (A)	YE
4 / 4 (A)	GY
5 / 4 (A)	PK
6 / 4 (A)	RD
7 / 4 (A)	BK
8 / 4 (A)	VT
1-8 / 1 (UN)	BN
1-8 / 3 (0 V)	BU
1-8 / 5 (PE)	GN/YE



Release date: 2014-10-30 11:51 Date of issue: 2015-02-05 259978\_eng.xml