

CONTACTOR, AC-3 4KW/400V, DC 24 V, 3-POLE,
SIZE S0, SCREW CONNECTION

product brand name	SIRIUS
Product designation	power contactor

General technical data:

Degree of pollution	3
Mechanical service life (switching cycles)	
<ul style="list-style-type: none"> • of the contactor typical • of the contactor with added electronics-compatible auxiliary switch block typical • of the contactor with added auxiliary switch block typical 	<p>10 000 000</p> <p>5 000 000</p> <p>10 000 000</p>
Protection class IP	
<ul style="list-style-type: none"> • on the front • of the terminal 	<p>IP20</p> <p>IP20</p>
Equipment marking	
<ul style="list-style-type: none"> • acc. to DIN EN 61346-2 • acc. to DIN EN 81346-2 	<p>Q</p> <p>Q</p>

Main circuit:

Number of poles for main current circuit	3
Number of NC contacts for main contacts	0
Number of NO contacts for main contacts	3
Operating current	
<ul style="list-style-type: none"> • at AC-1 <ul style="list-style-type: none"> — at 400 V at ambient temperature 40 °C Rated value 	<p>A</p> <p>40</p>

— up to 690 V at ambient temperature 40 °C Rated value	A	40
— up to 690 V at ambient temperature 60 °C Rated value	A	35
• at AC-3 — at 400 V Rated value	A	9
• at AC-4 at 400 V Rated value	A	8.5
Operating current with 1 current path		
• at DC-1 — at 24 V Rated value	A	35
— at 110 V Rated value	A	4.5
• at DC-3 at DC-5 — at 24 V Rated value	A	20
— at 110 V Rated value	A	2.5
Operating current with 2 current paths in series		
• at DC-1 — at 24 V Rated value	A	35
— at 110 V Rated value	A	35
• at DC-3 at DC-5 — at 110 V Rated value	A	15
— at 24 V Rated value	A	35
Operating current with 3 current paths in series		
• at DC-1 — at 24 V Rated value	A	35
— at 110 V Rated value	A	35
• at DC-3 at DC-5 — at 110 V Rated value	A	35
— at 24 V Rated value	A	35
Operating power		
• at AC-1 at 400 V Rated value	kW	23
• at AC-2 at 400 V Rated value	kW	4
• at AC-4 at 400 V Rated value	W	4 000
Operating power		
• at AC-3 — at 400 V Rated value	kW	4
— at 500 V Rated value	kW	4.5
— at 690 V Rated value	kW	5.5
Control circuit/ Control:		
Type of voltage of the control supply voltage		DC
Control supply voltage for DC		
• Rated value	V	24

Operating range factor control supply voltage rated value of the magnet coil for DC		0.8 ... 1.1
Closing power of the magnet coil for DC	W	5.4
Holding power of the magnet coil for DC	W	5.4

Auxiliary circuit:

Number of NC contacts		
<ul style="list-style-type: none"> • for auxiliary contacts <ul style="list-style-type: none"> — instantaneous contact 		0
Number of NO contacts		
<ul style="list-style-type: none"> • for auxiliary contacts <ul style="list-style-type: none"> — instantaneous contact 		0
Operating current at AC-15		
<ul style="list-style-type: none"> • at 230 V Rated value • at 400 V Rated value 	A A	6 3
Operating current		
<ul style="list-style-type: none"> • at DC-12 at 220 V Rated value • at DC-13 at 220 V Rated value 	A A	1 0.3
Operating current		
<ul style="list-style-type: none"> • at DC-12 <ul style="list-style-type: none"> — at 60 V Rated value — at 110 V Rated value • at DC-13 <ul style="list-style-type: none"> — at 24 V Rated value — at 60 V Rated value — at 110 V Rated value 	A A A A A	6 3 10 2 1
Contact reliability of the auxiliary contacts		1 faulty switching per 100 million (17 V, 1 mA)

Short-circuit:

Design of the fuse link		
<ul style="list-style-type: none"> • for short-circuit protection of the main circuit <ul style="list-style-type: none"> — with type of assignment 1 required — with type of assignment 2 required • for short-circuit protection of the auxiliary switch required 		fuse gL/gG: 63 A fuse gL/gG: 25 A fuse gL/gG: 10 A

Installation/ mounting/ dimensions:

Mounting type		screw and snap-on mounting onto 35 mm standard mounting rail according to DIN EN 50022
<ul style="list-style-type: none"> • Side-by-side mounting 		Yes
Height	mm	85
Width	mm	45
Depth	mm	101
Required spacing		

- for grounded parts
 - at the side

mm	6
----	---

Connections/ Terminals:

Type of electrical connection		
<ul style="list-style-type: none"> • for main current circuit • for auxiliary and control current circuit 		screw-type terminals screw-type terminals
Type of connectable conductor cross-section		
<ul style="list-style-type: none"> • for main contacts <ul style="list-style-type: none"> — solid — single or multi-stranded — finely stranded with core end processing • for AWG conductors for main contacts • for auxiliary contacts <ul style="list-style-type: none"> — solid — finely stranded with core end processing • for AWG conductors for auxiliary contacts 		2x (1 ... 2.5 mm ²), 2x (2.5 ... 6 mm ²), max. 2x 10 mm ² 2x (1 ... 2,5 mm ²), 2x (2,5 ... 6 mm ²), max. 2x 10 mm ² 2x (1 ... 2.5 mm ²), 2x (2.5 ... 6 mm ²) 2x (16 ... 12), 2x (14 ... 10), 1x 8 2x (0.5 ... 1.5 mm ²), 2x (0.75 ... 2.5 mm ²), max. 2x (0.75 ... 4 mm ²) 2x (0.5 ... 1.5 mm ²), 2x (0.75 ... 2.5 mm ²) 2x (20 ... 16), 2x (18 ... 14), 1x 12

Mechanical data:

Size of contactor		S0
--------------------------	--	----

Ambient conditions:

Installation altitude at height above sea level maximum	m	2 000
Ambient temperature		
<ul style="list-style-type: none"> • during operation 	°C	-25 ... +60

Certificates/ approvals:

General Product Approval	Functional Safety/Safety of Machinery	Declaration of Conformity
--------------------------	---------------------------------------	---------------------------



[Type Examination](#)



Test Certificates	Shipping Approval
-------------------	-------------------

[Special Test Certificate](#)

[Type Test Certificates/Test Report](#)



Shipping Approval	other
-------------------	-------



[other](#)

[Environmental Confirmations](#)

[Confirmation](#)

Further information

Information- and Downloadcenter (Catalogs, Brochures,...)

<http://www.siemens.com/industrial-controls/catalogs>

Industry Mall (Online ordering system)

<http://www.siemens.com/industrymall>

Cax online generator

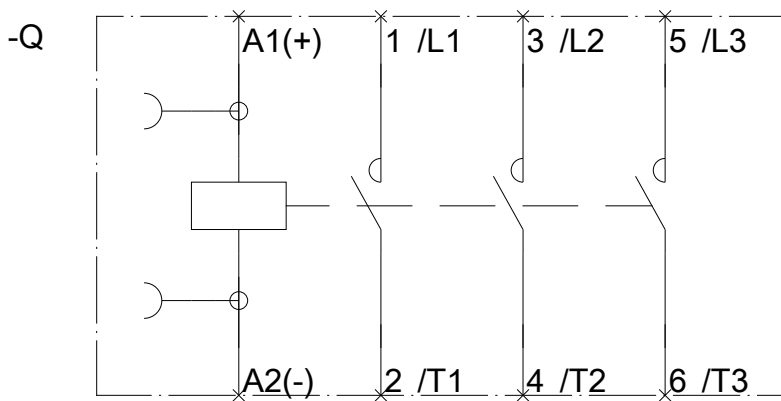
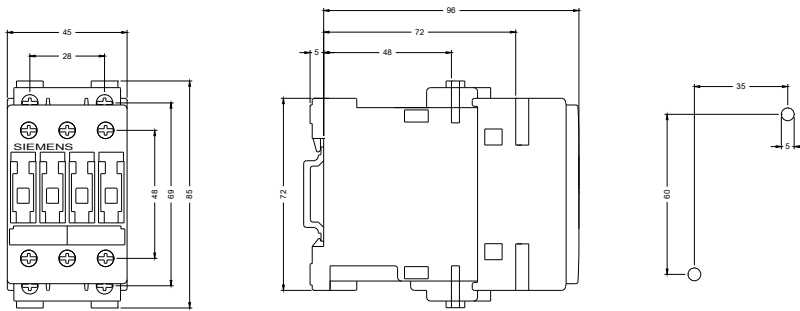
<http://support.automation.siemens.com/WW/CAXorder/default.aspx?lang=en&mlfb=3RT10231BB40>

Service&Support (Manuals, Certificates, Characteristics, FAQs,...)

<http://support.automation.siemens.com/WW/view/en/3RT10231BB40/all>

Image database (product images, 2D dimension drawings, 3D models, device circuit diagrams, EPLAN macros, ...)

http://www.automation.siemens.com/bilddb/cax_de.aspx?mlfb=3RT10231BB40&lang=en



last modified:

11.03.2015