

SIGNAL COLUMN, DIAMETER 70 MM  
 ACCESSORIES, FOOT (SINGLE), METAL-CLAD  
 VERS., TUBE, 1000 MM FOR TUBE LENGTHS >  
 500MM



Figure similar

General technical data:

product brand name		SIRIUS
Equipment marking acc. to DIN EN 61346-2		U

Mechanical data:

Outer diameter of the signal column element	mm	70
---	----	----

Ambient conditions:

Ambient temperature during operation	°C	-20 ... +50
Height	mm	31
Width	mm	70

Certificates/ approvals:

General Product Approval	EMC	Shipping Approval
--------------------------	-----	-------------------



Shipping Approval



Further information

**Information- and Downloadcenter (Catalogs, Brochures,...)**

<http://www.siemens.com/industrial-controls/catalogs>

**Industry Mall (Online ordering system)**

<http://www.siemens.com/industrymall>

**Cax online generator**

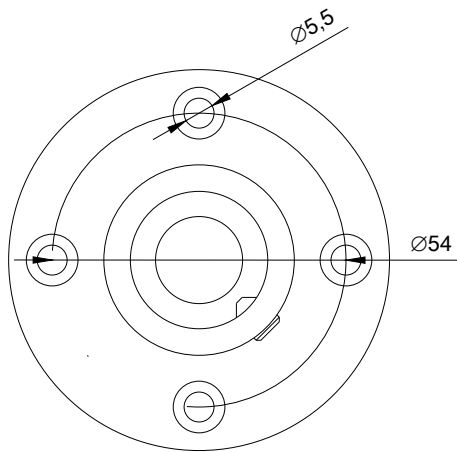
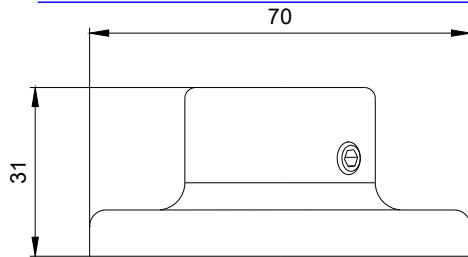
<http://support.automation.siemens.com/WW/CAXorder/default.aspx?lang=en&mfb=8WD43080DC>

**Service&Support (Manuals, Certificates, Characteristics, FAQs,...)**

<https://support.industry.siemens.com/cs/ww/en/ps/8WD43080DC>

**Image database (product images, 2D dimension drawings, 3D models, device circuit diagrams, EPLAN macros, ...)**

[http://www.automation.siemens.com/bilddb/cax\\_de.aspx?mfb=8WD43080DC&lang=en](http://www.automation.siemens.com/bilddb/cax_de.aspx?mfb=8WD43080DC&lang=en)



last modified:

15.01.2015