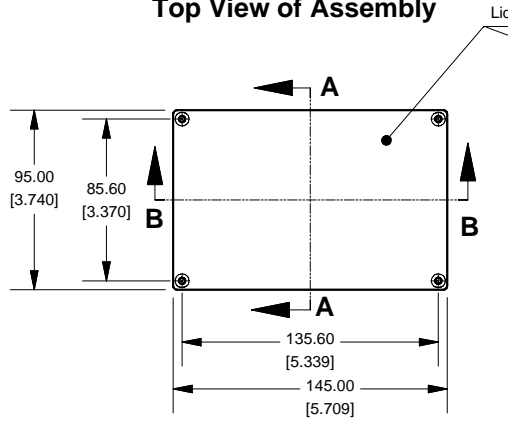
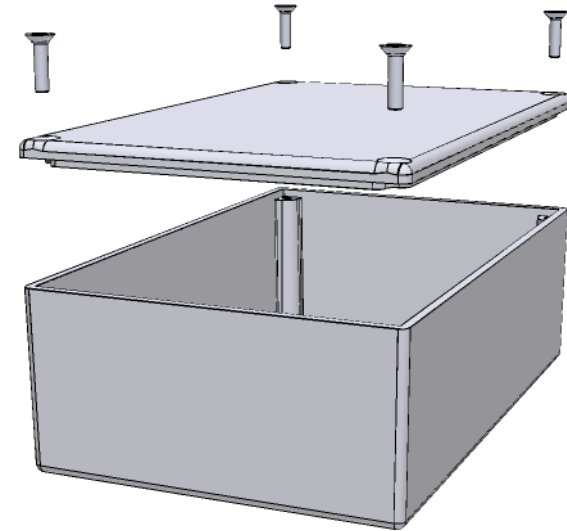
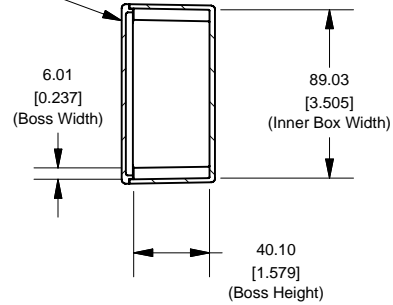


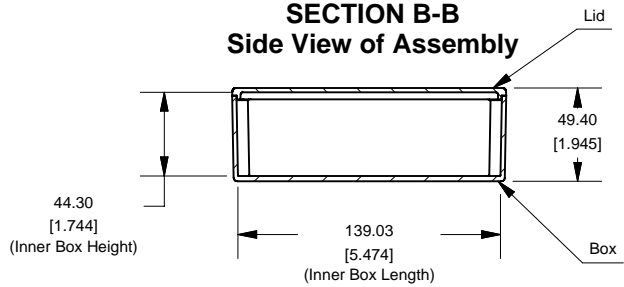
**Top View of Assembly**



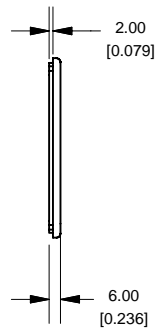
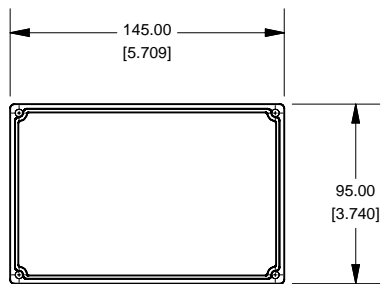
**SECTION A-A  
End View of Assembly**



**SECTION B-B  
Side View of Assembly**



**Lid**



Enclosures can be Factory Modified ( Milling, Drilling, Printing etc. )  
Solid models of this enclosure available in STEP or IGES.  
Contact Factory [jelkins@hammond-electronics.co.uk](mailto:jelkins@hammond-electronics.co.uk)

NOTE	
Purchased assembly includes Lid, Box and 4 cover screws.	

Eddystone 10758PSLA	
PART INFORMATION	
<b>Part Number:</b>	10758PSLA
<b>Material:</b>	LM2 / LM24 Diecast Aluminum Alloy
<b>Cover Screw Type:</b>	M3.5 x 10mm Countersunk (Screw Torque 75 oz f.in or 55 cN. M)



**HAMMOND  
MANUFACTURING™**

**10758PSLA**

[www.hammondmfg.com](http://www.hammondmfg.com)