



DATA SHEET	52107800
SKINDICHT® RWV-M / RWV-M O. E+D	valid from : 30.11.2015

The SKINDICHT® RWV-M is a zinc die-cast cable gland with 90° elbow. The locknut enables the angle gland to be installed in any position.



Component parts:

Angular housing	Zinc die-casting, nickel-plated
Pressure screw	Brass, nickel-plated
Locknut	Brass, nickel-plated
Pressure washers	Steel, zinc-plated
Incised sealing ring	CR
O-ring	NBR

Technical features:

Connecting thread	M12x1,5 up to M40x1,5 acc. to EN 60423
Protection class	IP55 acc. to EN 60529
Temperature range	-20 °C up to +100 °C

Norm references:

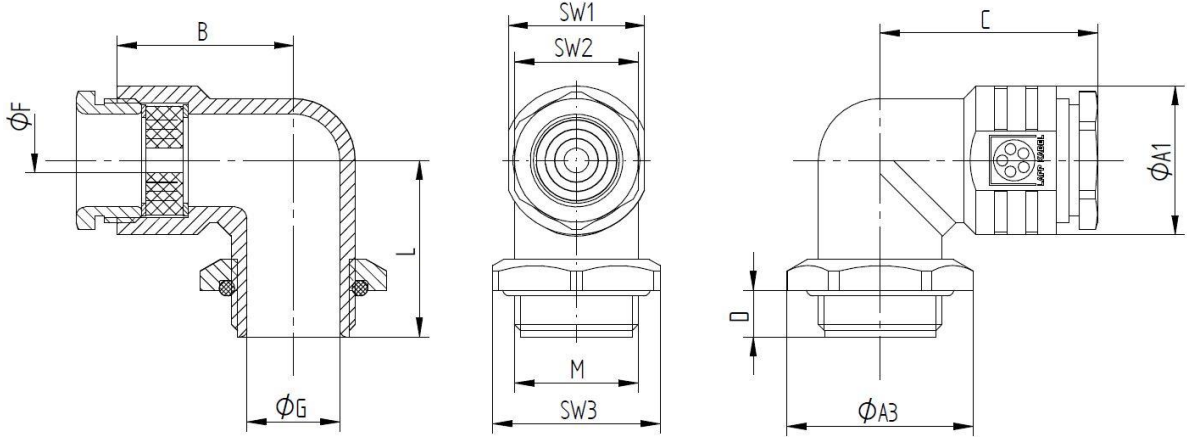


For more information please see our current catalogue.

elaborated by: PDP: T. Dvoulety	Document: DB52107800_3EN	page 1 of 2
------------------------------------	--------------------------	-------------

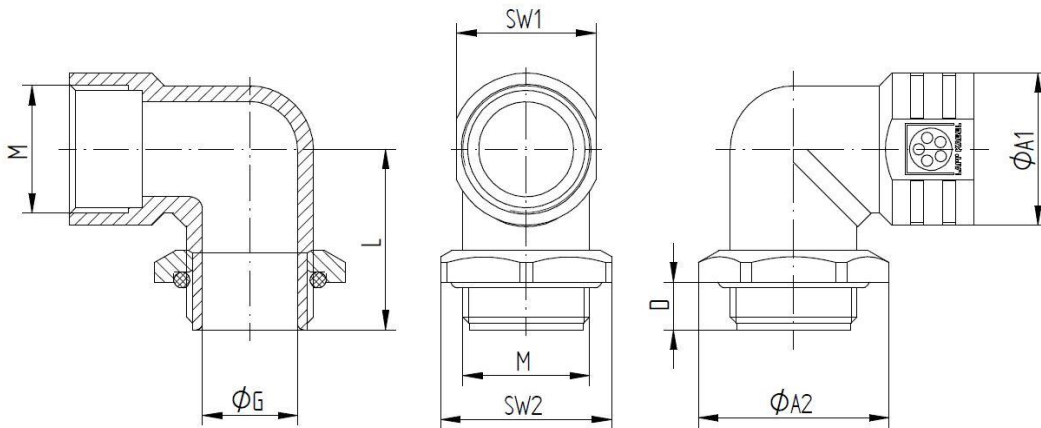
DATA SHEET	52107800
SKINDICHT® RWV-M / RWV-M O. E+D	valid from : 30.11.2015

SKINDICHT® RWV-M



M	SW1 [mm]	SW2 [mm]	SW3 [mm]	Ø A1 [mm]	Ø A3 [mm]	C [mm]	D [mm]	Ø F [mm] incised sealing ring	Ø G [mm]	L [mm]	O-Ring [mm]	Article No.
M12x1,5	14	12	17	16	18,9	26,1	6,5	5	8	20,5	11x2,5	52107800
M16x1,5	18	16	22	20	24,5	28,6	6,5	3/6/9	12	23,5	15x2,5	52107810
M20x1,5	22	20	27	24	30,1	35,1	7,5	4/7/10/13	15	28,5	19x2,5	52107820
M25x1,5	27	25	32	29	35,7	38,1	8,5	8,5/11,5/14,5/17,5	20	31,0	24x2,5	52107830
M32x1,5	34	32	41	36	45,6	44,6	8,5	16/19/22/25	27	33,5	30x2,5	52107840
M40x1,5	42	40	46	45	50,6	53,1	10,5	23/26/29/32	35	43,0	38x2,5	52107850

SKINDICHT® RWV-M O. E+D



M	SW1 [mm]	SW2 [mm]	Ø A1 [mm]	Ø A2 [mm]	C [mm]	D [mm]	Ø G [mm]	L [mm]	O-Ring [mm]	Article No.
M12x1,5	14	17	16	18,9	21,0	6,5	8	20,5	11x2,5	52107801
M16x1,5	18	22	20	24,5	23,0	6,5	12	23,5	15x2,5	52107811
M20x1,5	22	27	24	30,1	28,5	7,5	15	28,5	19x2,5	52107821
M25x1,5	27	32	29	35,7	30,0	8,5	20	31,0	24x2,5	52107831
M32x1,5	34	41	36	45,6	36,5	8,5	27	33,5	30x2,5	52107841
M40x1,5	42	46	45	50,6	43,0	10,5	35	43,0	38x2,5	52107851