

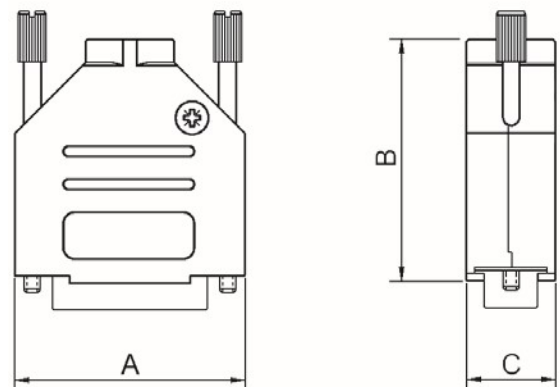
D-Sub Non-magnetic Metal Hood, Top Entry with plastic grommet

TECHNICAL SPECIFICATIONS

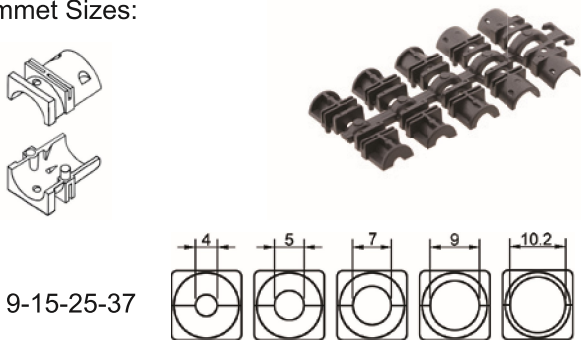
Material: Zinc, Nickel Plated
 Operating Temperature: -40°C to +120°C
 Cable Entry: Top Entry
 Thumbscrews: UNC 4-40 (Standard)
 M2,5 or M3 on request
 Cable O.D: Up to 11,5mm

Features:

- Available in sizes 9-15-25-37
- Excellent EMI Shielding
- Re-openable
- Strain relief inserts ensure a secure termination
- Full Metal Jackscrew as standard.



Grommet Sizes:



Size DTZK	Dim A	Dim B	Dim C
9-way	31,0	39,5	15,0
15-way	39,5	41,5	15,0
25-way	53,5	48,5	15,0
37-way	71,0	53,0	15,0

Ordering information:

Size:	P/N - Kitted:	Product Code:
9-way	6560-0165-01	DTZK09-NM-K
15-way	6560-0165-02	DTZK15-NM-K
25-way	6560-0165-03	DTZK25-NM-K
37-way	6560-0165-04	DTZK37-NM-K

Size:	P/N - BULK:	Product Code:
9-way	6561-0165-01	DTZK09-NM
15-way	6561-0165-02	DTZK15-NM
25-way	6561-0165-03	DTZK25-NM
37-way	6561-0165-04	DTZK37-NM

