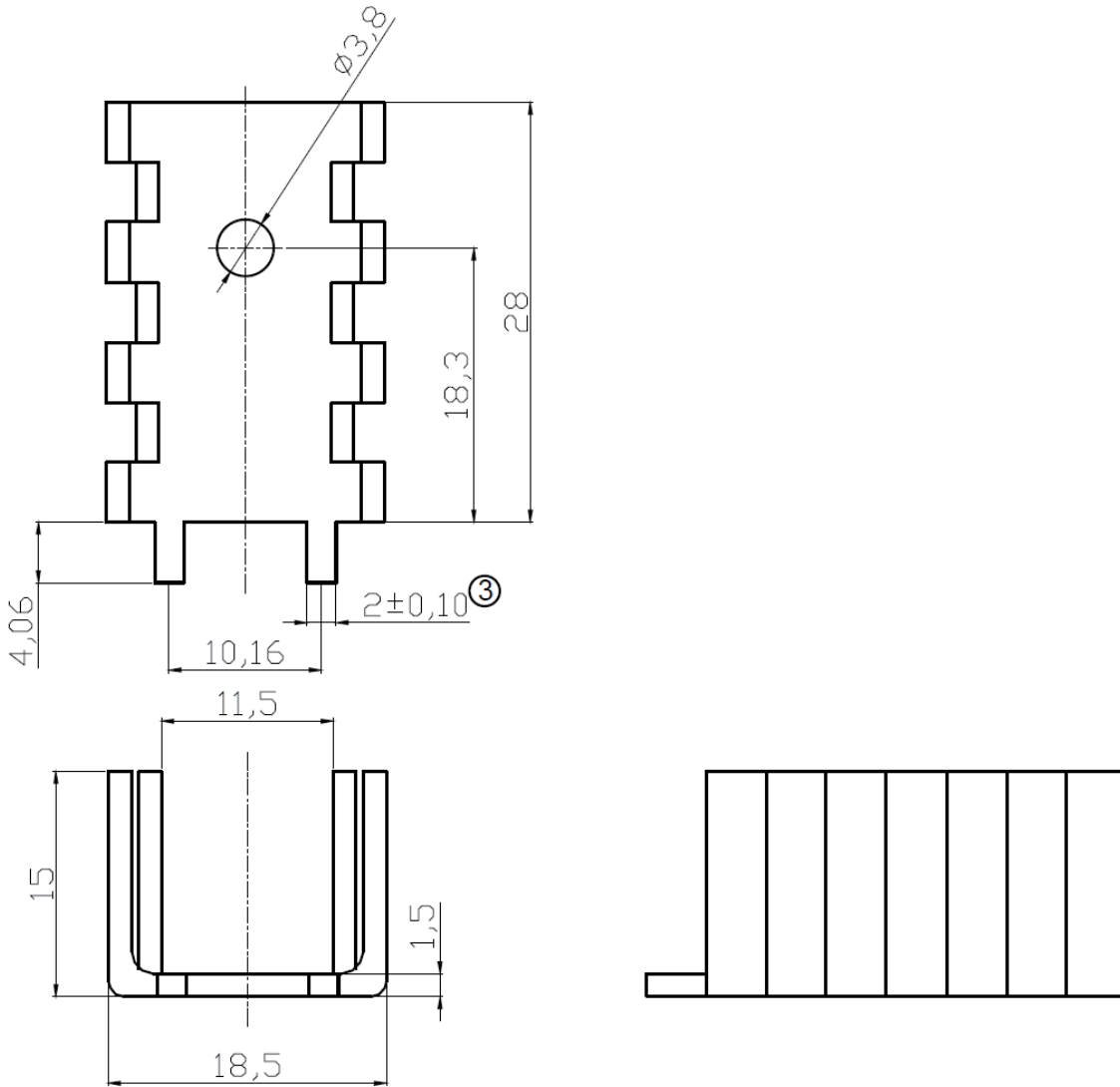


# Datasheet

Item no. 1586607

V1\_0617\_02\_EN



Scale	Free
TOLERANCE	
Less 10	$\pm 0.15$
10~30	$\pm 0.20$
31~50	$\pm 0.25$
51~100	$\pm 0.30$
DIM	Tol
Angle	$\pm 1^\circ$

**MATERIAL:**

AL 1050 T=1.5mm

**FINISHED:**

BLACK ANODIZED

**RoHS compliant**

Unit: mm