

**80**mm sq.

# San Ace 80



## General Specifications

- Material ..... Frame: Plastics (Flammability: UL94V-0),  
Impeller: Plastics (Flammability: UL94V-0)
- Expected Life ..... Refer to specifications (L10:Survival rate:90% at 60°C ,  
rated voltage, and continuously run in a free air state)
- Lead Wire ..... ⊕red ⊖black or blue (Sensor) yellow
- Storage Temperature ..... -30°C to +70°C (Non-condensing)

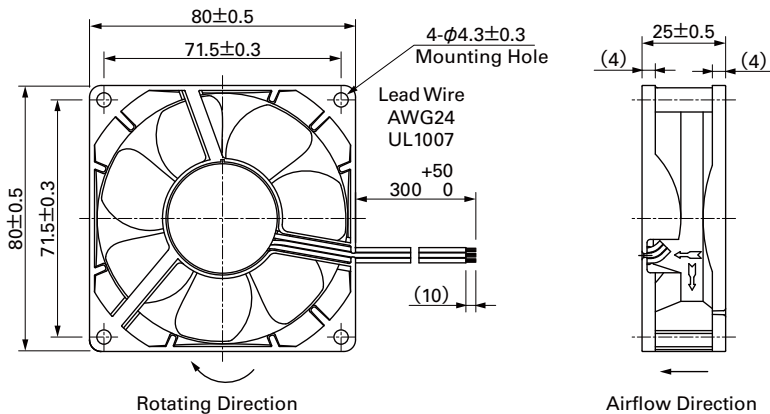
## 80×80×25mm (Mass : 90g) 9A type San Cooler

**Specifications** The following nos. **have pulse sensors and ribs.** For ribless, append "1" to the model no.

Model No.	Rated Voltage [V]	Operating Voltage Range [V]	Rated Current [A]	Rated Input [W]	Rated Speed [min <sup>-1</sup> ]	Max. Airflow [m <sup>3</sup> /min] [CFM]	Max. Static Pressure [Pa] [inchH <sub>2</sub> O]	SPL [dB(A)]	Operating Temperature [°C]	Expected Life [h]				
9A0812G401	12	6 to 13.2	0.38	4.56	4,500	1.5	53.0	80.3	0.323	40	-20 to +60	30,000/60°C		
9A0812S401			0.18	2.16	3,400	1.2	42.4	48	0.193	34				
9A0812H401		6 to 13.8	0.13	1.56	2,900	1.03	36.4	35.3	0.142	29			-20 to +70	40,000/60°C
9A0812F401			0.11	1.32	2,600	0.92	32.5	28.4	0.114	26				
9A0812M401			0.09	1.08	2,350	0.83	29.3	22.5	0.090	23				
9A0812L401			0.06	0.72	1,850	0.65	23.0	14.7	0.059	20				
9A0824G401	24	12 to 26.4	0.21	5.04	4,500	1.5	53.0	80.3	0.323	40	-20 to +60	30,000/60°C		
9A0824S401		12 to 27.6	0.1	2.4	3,400	1.2	42.4	48	0.193	34				
9A0824H401			0.07	1.68	2,900	1.03	36.4	35.3	0.142	29				
9A0824F401			0.06	1.44	2,600	0.92	32.5	28.4	0.114	26				
9A0824M401			0.05	1.2	2,350	0.83	29.3	22.5	0.090	23				
9A0824L401		14 to 27.6	0.04	0.96	1,850	0.65	23.0	14.7	0.059	20				

Models without sensors, or with lock sensors, or PWM control function are available as options. Please refer to the index (p. 470).

## Dimensions (unit: mm) (With ribs)



## Reference Dimensions of Mounting Holes and Vent Opening (unit: mm)

