



Rugged Keypad 6 Pushbutton (CAN). Series 09.

Thank you for your order of the Series 09 Rugged Keypad!

Order numbers

K09-00.000011 (CANOpen), K09-00.000013 (J1939)

The delivery scope contains:

1	Rugged Keypad 6 pushbuttons CAN with integrated symbol inserts (number 1 to 6)	1pc
2	Retaining clips for 2 mm panel	6pc
3	Rubber washer 4.8 x 15 x 1	12pcs
4	Washers DIN 9021 stainless A2	4pcs
5	Nuts	4pcs
6	Coupler	1pc

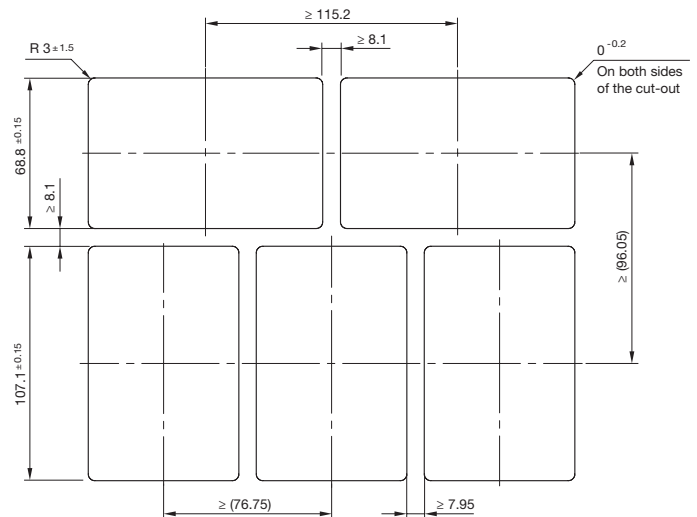
Further information is available at
www.eao.com/09-keypads



Mounting cut-out

Mounting cut-out 107.0 mm x 69.0 mm

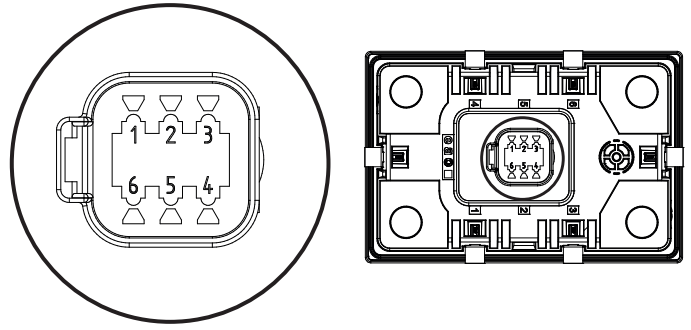
Panel thickness 1.0 mm ... 4.0 mm



Connector type

Connections 6-DT (DT04-6P)

- Mating plug Deutsch DT06-0S
 - Matching contacts e.g. 1062-16-0122
 - Matching wedge W6-S
 - Pin out
- | | |
|-------|------------|
| Pin 1 | GND |
| Pin 2 | CAN High |
| Pin 3 | WakeUp_Out |
| Pin 4 | WakeUp_In |
| Pin 5 | CAN Low |
| Pin 6 | Vcc |

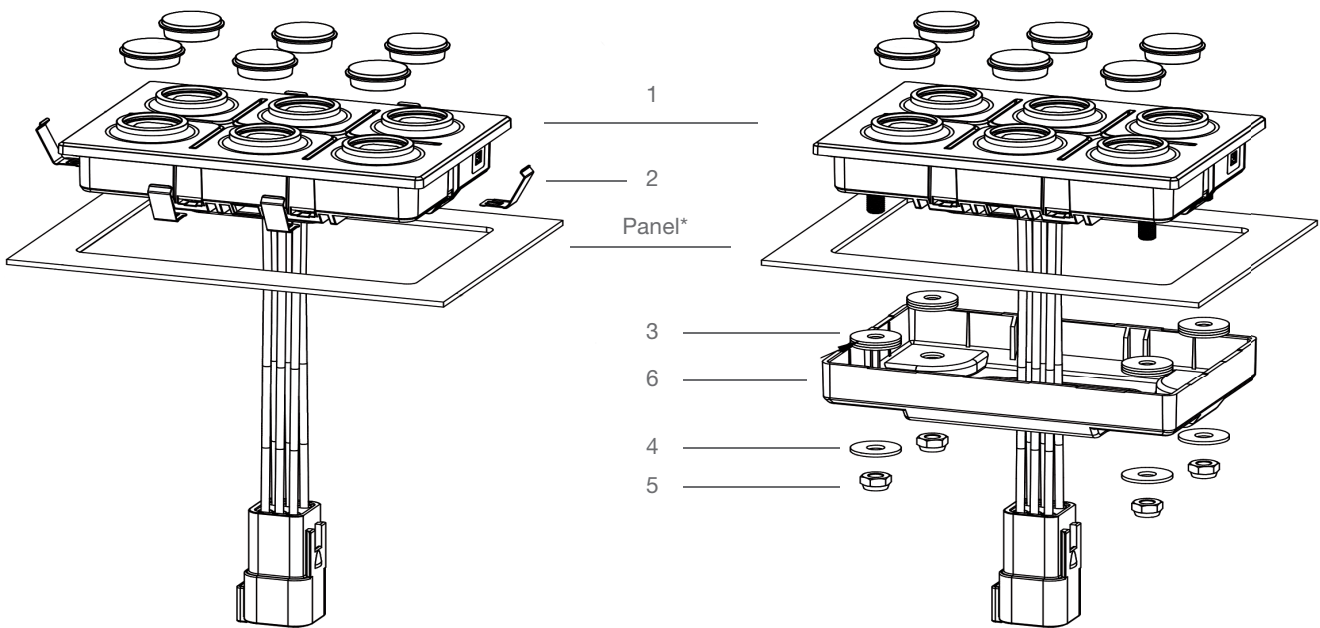


The circuit diagrams can be found in the provided data package.

Mounting instruction:

Clip-in version

Screw-in version



* Customer-specific application.

Safety notice!

The Series 09 Rugged Keypad 6 pushbutton (CANopen) can also be used for safety-relevant applications. Thanks to the diagnostic capability through resistance coding (Namur Circuit as optional option), cable breaks and switching states can be detected.

The customer must ensure the functional and product safety conformity of the integration of the keypad. Therefore, the customer must perform all security activities at the integration level of the switch and confirm that all relevant functions are implemented to ensure that the application handles critical issues in a secure manner.