

Pulse counters, electromechanical

Mini counters

5 digits with reset (AC+DC)

W 15



The mini totalisers W 15 are manually resettable and have been designed for various front panel sizes in a wide variety of applications.

They offer an excellent price / performance ratio and are easy to operate.

Characteristics

- 5-digit miniature pulse counter, adding with manual reset
- Low power consumption
- Available for all common DC and AC voltages
- DIN housing 48 x 24 mm available

Benefits

- Long service life (50 million pulses)
- Ideal for battery operation and electronic switching operations

Applications

Machines and appliances, battery-powered devices, heat and water consumption measurement, establishing tolls and charges, general quantity counting

Type series

Description	Panel mount dimensions	Housing	Display	Type	Order information
Panel mount with mounting clip, 34 x 23 mm	31 x 20 mm	plastic	front side	W 15.21	- Art.-No. - For special voltages, please give type, voltage, kind of voltage and series e.g.: W 15.21, 4.5 V DC/0 black
Panel mount with mounting clip, 48 x 24 mm	45 x 22 mm	plastic	front side	W 15.51	

Accessories

		Order-No.
Adapter front bezel, 53 x 28 mm	For cut-out 50 x 25 mm to cut-out 45 x 22.2 mm, with clip mounting for counters 48 x 24 mm	anthracite T008180
Adapter front bezel, 56 x 40 mm	For cut-out 50 x 25 mm to cut-out 45 x 22.2 mm, with screw mounting for counters 48 x 24 mm	anthracite T008181
Adapter front bezel, 72 x 36 mm	For cut-out 68 x 33 mm to cut-out 45 x 22.2 mm, for counters 48 x 24 mm, as set	black and silver anodised 162704 Set
Adapter front bezel, 48 x 48 mm	For cut-out 45 x 45 mm to cut-out 45 x 22.2 mm, with clip mounting for counters 48 x 24 mm	black T008883
Adapter front bezel, 60 x 50 mm	For cut-out 54 x 29 mm to cut-out 45 x 22.2 mm, with screw mounting and gasket for counters 48 x 24 mm	black N003001
Transparent cover, lockable, IP65	For cut-out 54 x 29 mm, for screw mounting to front bezel F1B or adapter front bezel N003001, for counters with cut-out 50 x 25 mm or 45 x 22.2 mm	N003002
Sealing cover type K1, IP65	Suitable for front bezel 60 x 50 mm for screw mounting of electromechanical counters and via adapter front bezel N003001, for counters 48 x 24 mm	G008301
Mounting frame with cut-out 50 x 25 mm via separate adapter also for 45 x 22.2 mm	For snap-on mounting on 35 mm top-hat DIN rail, for counters 53 x 28 mm and via separate adapter (T008180) for counters 48 x 24 mm	chromated G300004

Suitable gaskets as well as further accessories can be found in the accessories section or in the accessories area of our website at: www.kuebler.com/accessories.

Pulse counters, electromechanical

Mini counters	5 digits with reset (AC+DC)	W 15
----------------------	------------------------------------	-------------

Technical data		
Electrical connection	Standard	flying leads AWG 22, approx. 150 mm ø 0.34 mm ² , 6 mm stripped wire ends, tinned
Rated voltage	type 05 (8 Hz) type 0 (10 Hz) type a0 (10 Hz)	1.5 / 3 / 4.5 / 5 / 6 / 12 V DC (+15%, -5%) 12 / 24 / 48 / 115 / 185 V DC ±10% 12 / 24 / 48 / 115 / 230 V AC, ±10%
Cycle duration factor		100 %
Height of figures		approx. 1.7 x 4 mm
Colour of figures		white on black
Counting mechanism shaft		stainless steel
Operating temperature		-10°C ... +50°C (non-condensing)
Mounting position		any
Operating life		> 50 x 10 ⁶ pulses
Protection		IP40 (front side)
Weight	AC DC	52 g 62 g

Options		
Electrical connection		<ul style="list-style-type: none"> - pin ø 1.5 mm with push on connectors (Art.-No.: 1.151.X1X.XXX) - with flat pin 0.8 x 2.8 mm and flat push on connectors (Art.-No.: 1.159.X1X.XXX) - with flat pin 0.8 x 6.3 and flat push on connectors (Art.-No.: 1.155.XXX.XXX) - with screw terminal (Art.-No.: 1.154.XXX.XXX)
Colour of housing (availability see table)	grey black	Art.-No.: X.XXX.XX0.XXX Art.-No.: X.XXX.XX1.XXX
Extended temperature range		on request

Pulse counters

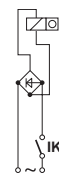
Connection diagram

type
0 a.1, DC



IK = Pulse contact

type
a, AC



Type / Counting mechanism						
Voltage	Type	Pulse frequency max.	Pulse on time min.	Pulse interval min.	Power consumption approx.	Permi. residual ripple max.
V DC	05	8 Hz	50 ms	75 ms	130 mW	5 %
V DC	0	10 Hz	50 ms	50 ms	0.5 W (≤115 V) 1 W (185 V)	48 %
V AC	a0	10 Hz	50 ms	50 ms	0.75 VA (≤ 115 V) 1.5 VA (230 V)	–

Pulse counters, electromechanical

Mini counters

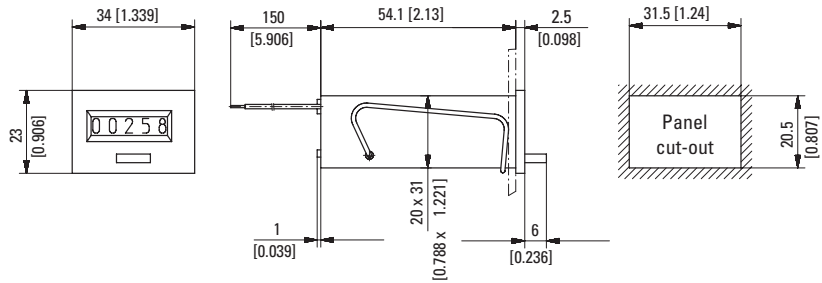
5 digits with reset (AC+DC)

W 15

Panel mount with mounting clip

Panel mount dimensions 31 x 20 mm

Type W 15.21



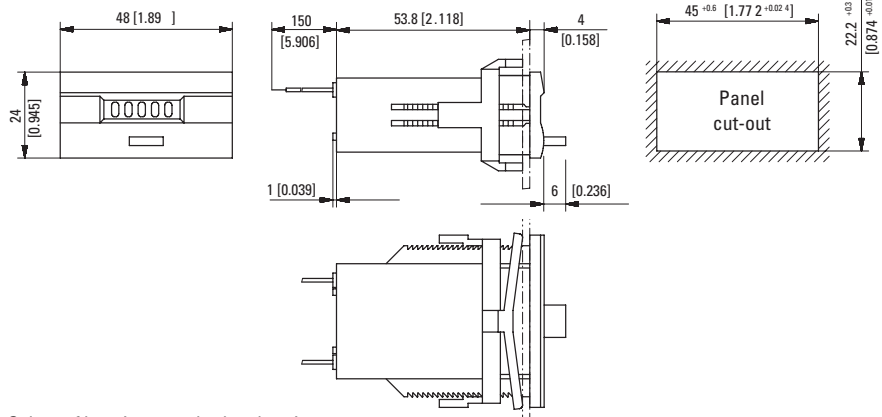
Colour of housing black: Art.-No. 1.150.211.XXX

Type	Voltage	Display	Art.-No.				Further stock types:
			12 V	24 V	115 V	230 V	
W 15.21	DC (8 Hz) / 05	5 digits	1.150.210.049	1.150.210.050			1.150.211.012 12 V DC/0 sw 1.150.211.013 24 V DC/0 sw 1.150.211.050 24 V DC/05 sw 1.150.211.056 230 V AC/a0 sw
	DC (10 Hz) / 0		1.150.210.012	1.150.210.013 ¹⁾			
	AC (10 Hz) / a0			1.150.210.051	1.150.210.054	1.150.210.056 ¹⁾	

Panel mount with mounting clip

Panel mount dimensions 45 x 22 mm

Type W 15.51



Colour of housing: standard anthracite

Type	Voltage	Display	Art.-No.			
			12 V	24 V	115 V	230 V
W 15.51	DC (8 Hz) / 05	5 digits	1.150.510.049.550	1.150.510.050.550		
	DC (10 Hz) / 0		1.150.510.012.550 ¹⁾	1.150.510.013.550 ¹⁾		
	AC (10 Hz) / a0			1.150.510.051.550	1.150.510.054.550 ¹⁾	1.150.510.056.550 ¹⁾