

- 1
- 2
- 3
- 4
- 5
- 6
- 7
- 8
- 9
- 10
- 11
- 12
- 13
- 14
- 15
- 16
- 17
- 18
- 19

## GUIDE TUBE

Chrome-plated steel.

## WORM SCREW WITH TRAPEZOIDAL THREADING

AISI 303 stainless steel.

## SLIDER

Brass.

## SLIDER CONNECTING INSERT

Natural steel.

## CLOSING END-CAPS

Polyamide based (PA) technopolymer.

## STANDARD EXECUTIONS

- GN 291-R1: right threaded screw, projecting on one side.
- GN 291-L1: left threaded screw, projecting on one side.

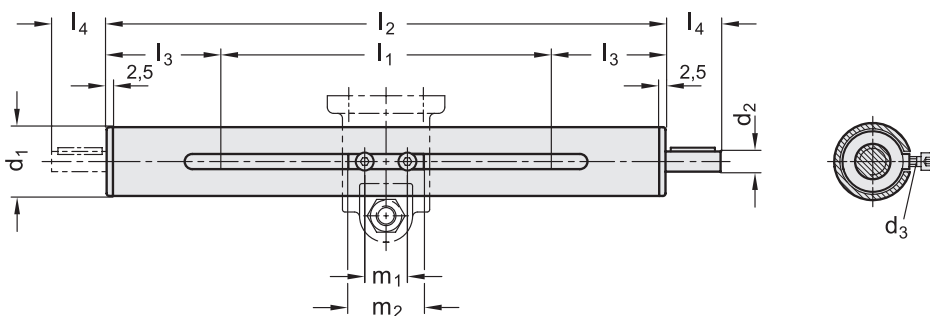
## FEATURES AND APPLICATIONS

The assembly of GN 291 linear actuators can be made by using the different types of connecting clamps.

In order to measure the movement and fix the position of the sliders can be used the digital gravity position indicators DD52R (see page 665) and DD51 (see page 662).

## SPECIAL EXECUTIONS ON REQUEST

- Linear actuators with different lengths.
- AISI 304 stainless steel guide tube linear actuators.
- Linear actuators with two separated worm screws.
- Linear actuators with worm screw projecting on both ends, right threaded (GN 291-R2) or left threaded (GN 291-L2).
- Guide tubes with laser-engraved precision graduations.





## GN 291-R1

Code	Description	d1	d2/7	d3	l1 Travel (standr lengths)	Max. travel*	Shaft thread	l2	l3	l4	m1	m2	Keyway DIN 6885	
GN.66326	GN 291-18-65-R1-SCR	18	6	M3	65	350	TR10x3	205	70	16	17	24	A2x2x12	230
GN.66306	GN 291-18-165-R1-SCR	18	6	M3	165	350	TR10x3	305	70	16	17	24	A2x2x12	330
GN.66316	GN 291-18-265-R1-SCR	18	6	M3	265	350	TR10x3	405	70	16	17	24	A2x2x12	430
GN.66336	GN 291-30-100-R1-SCR	30	8	M4	100	1250	TR14x4	305	102.5	16	23	38	A2x2x12	780
GN.66346	GN 291-30-150-R1-SCR	30	8	M4	150	1250	TR14x4	355	102.5	16	23	38	A2x2x12	890
GN.66356	GN 291-30-200-R1-SCR	30	8	M4	200	1250	TR14x4	405	102.5	16	23	38	A2x2x12	1000
GN.66366	GN 291-30-300-R1-SCR	30	8	M4	300	1250	TR14x4	505	102.5	16	23	38	A2x2x12	1210
GN.66416	GN 291-40-70-R1-SCR	40	12	M5	70	1800	TR20x4	305	117.5	17	42	54	A4x4x12	1640
GN.66376	GN 291-40-170-R1-SCR	40	12	M5	170	1800	TR20x4	405	117.5	17	42	54	A4x4x12	2080
GN.66386	GN 291-40-220-R1-SCR	40	12	M5	220	1800	TR20x4	455	117.5	17	42	54	A4x4x12	2310
GN.66396	GN 291-40-270-R1-SCR	40	12	M5	270	1800	TR20x4	505	117.5	17	42	54	A4x4x12	2530
GN.66406	GN 291-40-320-R1-SCR	40	12	M5	320	1800	TR20x4	555	117.5	17	42	54	A4x4x12	2750
GN.66466	GN 291-50-65-R1-SCR	50	12	M6	65	1965	TR20x4	305	120	18	42	54	A4x4x12	2410
GN.66426	GN 291-50-115-R1-SCR	50	12	M6	115	1965	TR20x4	355	120	18	42	54	A4x4x12	2720
GN.66436	GN 291-50-215-R1-SCR	50	12	M6	215	1965	TR20x4	455	120	18	42	54	A4x4x12	3360
GN.66446	GN 291-50-265-R1-SCR	50	12	M6	265	1965	TR20x4	505	120	18	42	54	A4x4x12	3670
GN.66456	GN 291-50-315-R1-SCR	50	12	M6	315	1965	TR20x4	555	120	18	42	54	A4x4x12	3990
GN.66476	GN 291-60-220-R1-SCR	60	14	M8	220	1920	TR24x4	505	142.5	19	50	70	A5x5x16	5300
GN.66486	GN 291-60-720-R1-SCR	60	14	M8	720	1920	TR24x4	1005	142.5	19	50	70	A5x5x16	9920

## GN 291-L1

Code	Description	d1	d2/7	d3	l1 Travel (standr lengths)	Max. travel*	Shaft thread	l2	l3	l4	m1	m2	Keyway DIN 6885	
GN.66321	GN 291-18-65-L1-SCR	18	6	M3	65	350	TR10x3	205	70	16	17	24	A2x2x12	320
GN.66301	GN 291-18-165-L1-SCR	18	6	M3	165	350	TR10x3	305	70	16	17	24	A2x2x12	330
GN.66311	GN 291-18-265-L1-SCR	18	6	M3	265	350	TR10x3	405	70	16	17	24	A2x2x12	430
GN.66331	GN 291-30-100-L1-SCR	30	8	M4	100	1250	TR14x4	305	102.5	16	23	38	A2x2x12	780
GN.66341	GN 291-30-150-L1-SCR	30	8	M4	150	1250	TR14x4	355	102.5	16	23	38	A2x2x12	890
GN.66351	GN 291-30-200-L1-SCR	30	8	M4	200	1250	TR14x4	405	102.5	16	23	38	A2x2x12	1000
GN.66361	GN 291-30-300-L1-SCR	30	8	M4	300	1250	TR14x4	505	102.5	16	23	38	A2x2x12	1210
GN.66411	GN 291-40-70-L1-SCR	40	12	M5	70	1800	TR20x4	305	117.5	17	42	54	A4x4x12	1640
GN.66371	GN 291-40-170-L1-SCR	40	12	M5	170	1800	TR20x4	405	117.5	17	42	54	A4x4x12	2080
GN.66381	GN 291-40-220-L1-SCR	40	12	M5	220	1800	TR20x4	455	117.5	17	42	54	A4x4x12	2310
GN.66391	GN 291-40-270-L1-SCR	40	12	M5	270	1800	TR20x4	505	117.5	17	42	54	A4x4x12	2530
GN.66401	GN 291-40-320-L1-SCR	40	12	M5	320	1800	TR20x4	555	117.5	17	42	54	A4x4x12	2750
GN.66461	GN 291-50-65-L1-SCR	50	12	M6	65	1965	TR20x4	305	120	18	42	54	A4x4x12	4620
GN.66421	GN 291-50-115-L1-SCR	50	12	M6	115	1965	TR20x4	355	120	18	42	54	A4x4x12	2720
GN.66431	GN 291-50-215-L1-SCR	50	12	M6	215	1965	TR20x4	455	120	18	42	54	A4x4x12	3360
GN.66441	GN 291-50-265-L1-SCR	50	12	M6	265	1965	TR20x4	505	120	18	42	54	A4x4x12	3670
GN.66451	GN 291-50-315-L1-SCR	50	12	M6	315	1965	TR20x4	555	120	18	42	54	A4x4x12	3990
GN.66471	GN 291-60-220-L1-SCR	60	14	M8	220	1920	TR24x4	405	142.5	19	50	70	A5x5x16	5300
GN.66481	GN 291-60-720-L1-SCR	60	14	M8	720	1920	TR24x4	1005	142.5	19	50	70	A5x5x16	9920

\* Executions available on request up to the maximum travel indicated.