
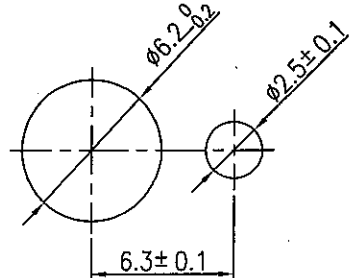
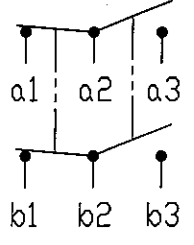
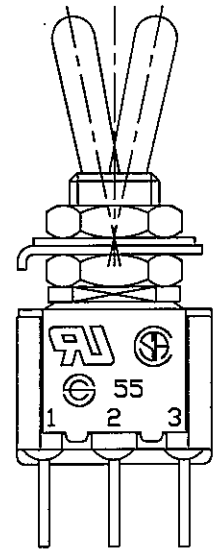
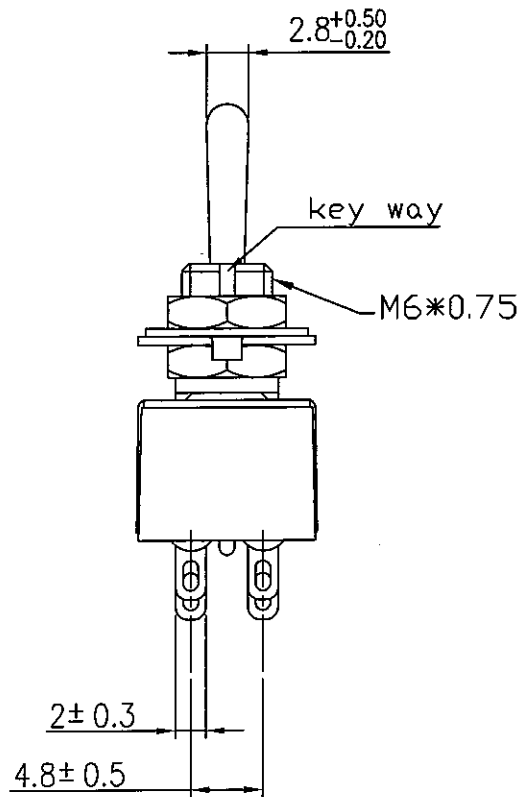
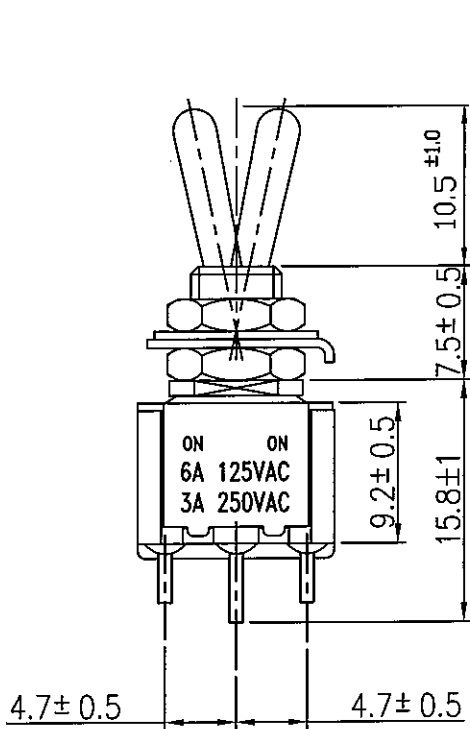
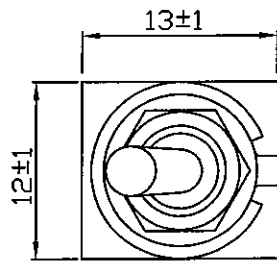


Toggle switches



Order code	Manufacturer code	Description
75-0140	n/a	3A DPDT MINIATURE TOGGLE SWITCH (RC)

Toggle switches	Page 1 of 2
The enclosed information is believed to be correct, Information may change without notice due to product improvement. Users should ensure that the product is suitable for their use. E. & O. E.	Revision A 20/02/2007

Rating	6A 125V AC, 3A 250V AC 	Mounting Hole	Circuit Diagram
Contact Resistance	50m ohm Max.		
Insulation Resistance	DC 500V 100M ohm Min.		
Dielectric Strength	AC 1000V 1 minute		
Circuit	6P DPDT ON-ON		



C8\55\TA202A1(1860089)

						△	
						△	
Date	Name	Description				NO	
Drawn	Checked	Approved	SCI BOM NO.	1860089	Model Name	MINI TOGGLE SWITCH	
曹盈芳			Customer No.		Model No.	TA202A1	REV.
10/15/'07			Unit	mm	 SHIN CHIN INDUSTRIAL CO., LTD.		0