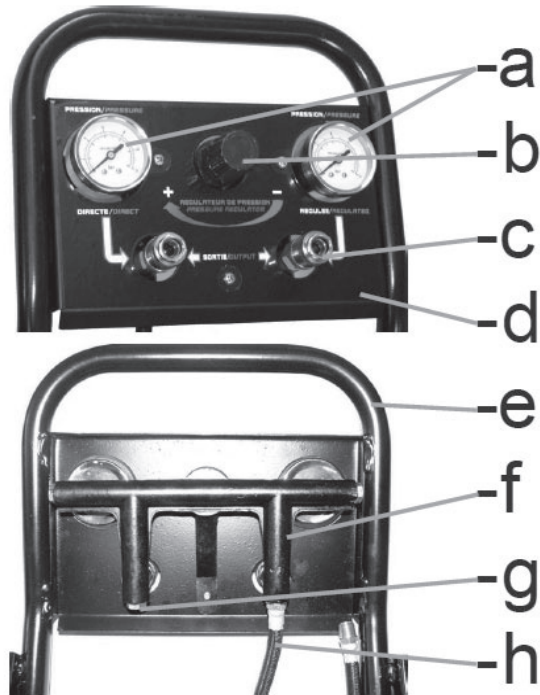
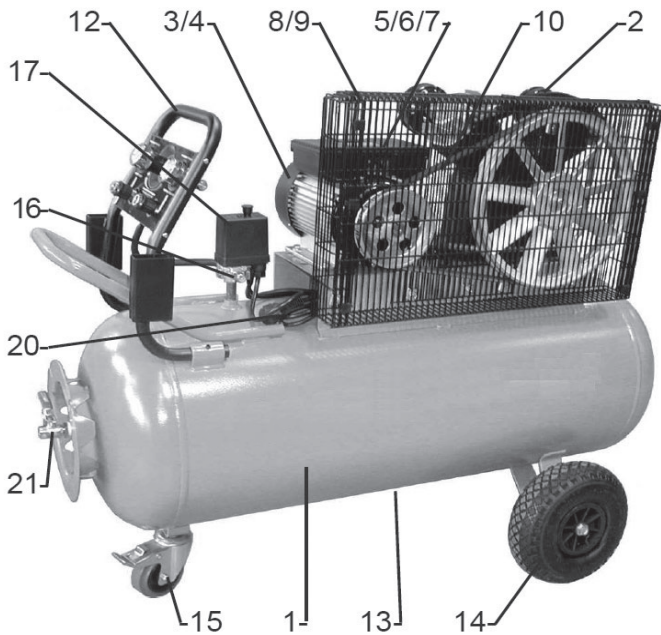
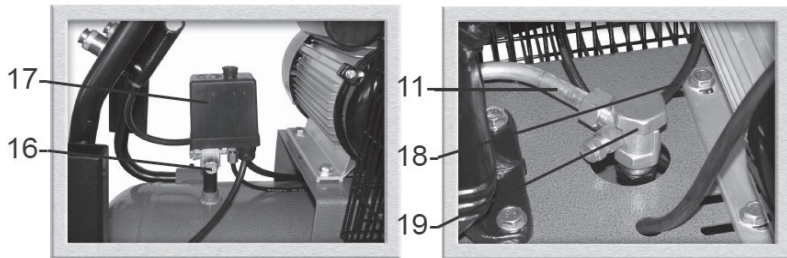




Parts Information:
**Compressor 150ltr Belt Drive 3hp with
 Front Control Panel**
Model No: SAC3153B



Item	Part No.	Description
1	SAC3153B.01	TANK 150ltr
2	SAC3203B.02	PUMP 2 CYLINDER (VED355)
3	SAC3203B.03	ELECTRICAL MOTOR
4	SAC3203B.04	MOTOR PULLEY
5	SAC3203B.05	THERMAL OVERLOAD
6	SAC3203B.06	RUN CAPACITOR
7	SAC3203B.07	START CAPACITOR
8	SAC3203B.08	BELT GUARD
9	SAC32775B.06	PLASTIC CLIP (BELT GUARD)
10	V/A52	V-BELT (ID-1320) A52
11	SAC3203B.11	ALUMINIUM TUBE
12	SAC3203B.12	HANDLE
13	SAC32055B.12	DRAIN PLUG 1/4"
14	SAC3203B.14	WHEEL,PNEUMATIC (260x20x85)
15	SAC3203B.15	WHEEL,CASTOR (W/BRAKE)(100x9x32x126)

Item	Part No.	Description
16	SAC32055B.15	SAFETY VALVE 11bar
17	SAC3203B.17	PRESSURE SWITCH 20Amp 10Bar 145Psi
18	SAC32775B.17	DECOMPRESSION TUBE
19	SAC32055B.18	CHECK VALVE
20	MC3CX1.5	MAINS CABLE BLK, 3 CORE, 1.5MM2
21	SAC32055B.20	BALL VALVE 1/4" F/F
A	SAC3203B.H01	PRESSURE GAUGE d:50
B	SAC3203B.H02	PRESSURE REDUCER
C	SAC3203B.H03	QUICK COUPLER
D	SAC3203B.H04	ADHESIVE PANEL
E	SAC3203B.H05	CARRY HANDLE
F	SAC3203B.H06	MANIFOLD
G	SAC3203B.H07	MANIFOLD CAP 1/4"
H	SAC3203B.H08	FLEXIBLE CONNECTING PIPE

NOTE: It is our policy to continually improve products and as such we reserve the right to alter data, specifications and component parts without prior notice.

IMPORTANT: No liability is accepted for incorrect use of product.

WARRANTY: Guarantee is 12 months from purchase date, proof of which will be required for any claim.

Sealey Group, Kempson Way, Suffolk Business Park, Bury St Edmunds, Suffolk. IP32 7AR



01284 757500



01284 703534

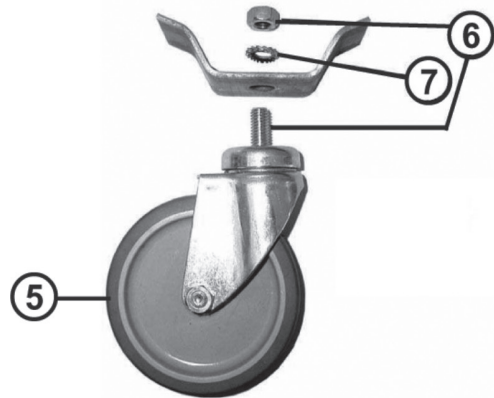
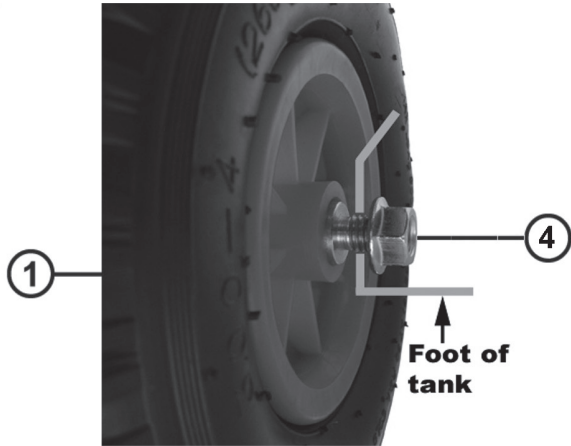


sales@sealey.co.uk



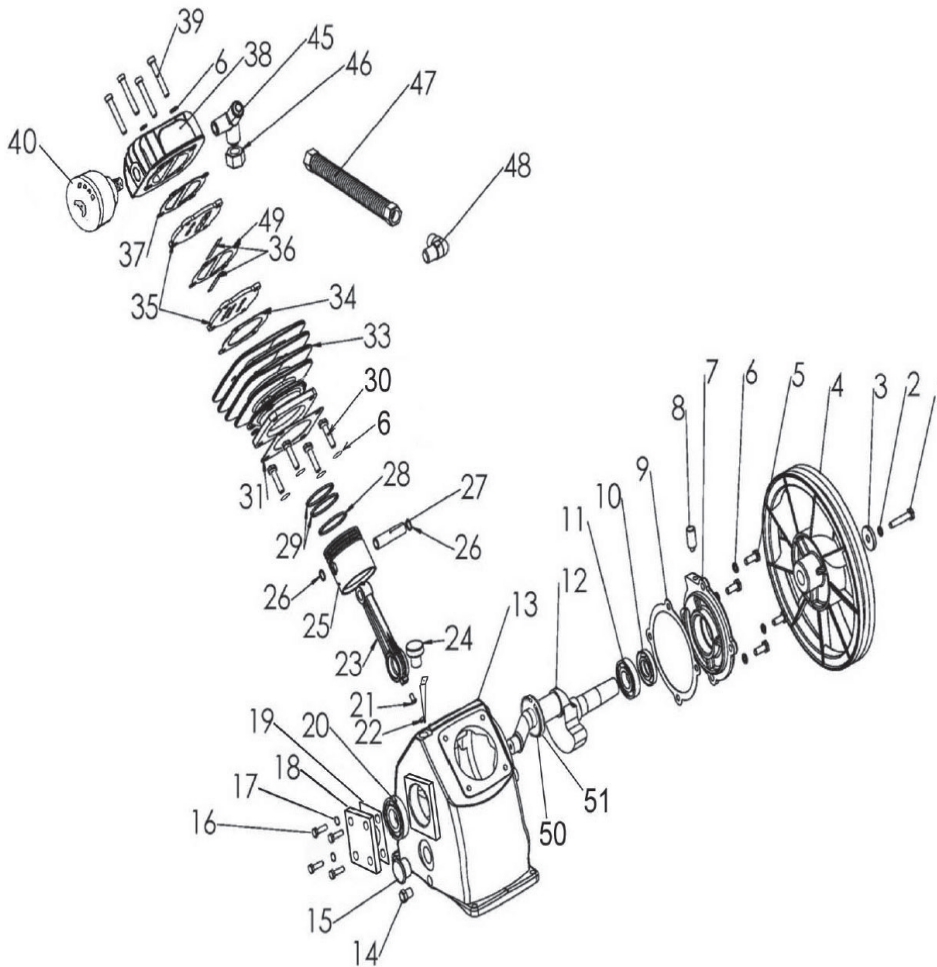
www.sealey.co.uk

Parts Information:
**Compressor 150ltr Belt Drive 3hp with
 Front Control Panel**
Model No: SAC3153B



Item	Part No.	Description
1	SAC3503B.W01N	Wheel, Pneumatic D.260
4	SAC3503B.W02N	Wheel Bolt c/w Nut
5	SAC3103B.15	Wheel, Castor (w/brake) (100x9x32x126)

Item	Part No.	Description
6	SAC3203B.W08	Castor Wheel Bolt & Nut M10
7	SAC3203B.W07	M10 Ext Tooth Washer Zinc



NOTE: It is our policy to continually improve products and as such we reserve the right to alter data, specifications and component parts without prior notice.

IMPORTANT: No liability is accepted for incorrect use of product.

WARRANTY: Guarantee is 12 months from purchase date, proof of which will be required for any claim.



Parts Information:
**Compressor 150ltr Belt Drive 3hp with
Front Control Panel**
Model No: SAC3153B

Item	Part No.	Description
1	SAC32055B.P01	PULLEY BOLT (LEFT)
2	SAC32055B.P02	SPRING WASHER
3	SAC32055B.P03	WASHER - PULLEY
4	SAC3203B.P04	FLYWHEEL
5	SAC32055B.P05	BEARING SEAT BOLT
6	SAC32055B.P06	SPRING WASHER
7	SAC3203B.P07	BEARING SEAT
8	SAC32775B.P57	BREATHER M16x1.5
--	SAC3203B.P08A	BREATHER BASE (NOT SHOWN)
9	SAC3203B.P09	GASKET - BEARING SEAT
10	SAC32055B.P11	OIL SEAL (24x47x8)
11	SAC32055B.12	DRAIN PLUG 1/4"
12	SAC3203B.P12	CRANKSHAFT
13	SAC3203B.P13	CRANKCASE
14	SAC32055B.P16	OIL DRAIN PLUG 1/4"
15	SAC32055B.P17	OIL LEVEL 3/4"
16	SAC32055B.P18	BEARING COVER BOLT
17	SAC32055B.P19	SPRING WASHER
18	SAC32055B.P20	BEARING COVER
19	SAC32055B.P21	BEARING COVER GASKET
20	B/6304	BEARING 6304
21	SAC3203B.P21	BOLT
22	SAC3203B.P22	CONNECTING ROD PIN

Item	Part No.	Description
23	SAC3203B.P23	CON-ROD
24	SAC32055B.P23	OIL FILLER PLUG (M16x1.5)
25	SAC32055B.P28	PISTON
26	SAC32055B.P30	PISTON PIN CIRCLIP
27	SAC32055B.P29	PISTON PIN
29	SAC32055B.P31	PISTON RING SET
30	SAC32055B.P33	CYLINDER BOLT (M8)
31	SAC32055B.P34	CRANKCASE CYLINDER GASKET
33	SAC32055B.P36	CYLINDER
34	SAC32775B.P50	HP VALVE SET GASKET 65mm
35	SAC3203B.P35	VALVE SEAT
36	SAC3203B.P36	VALVE PLATE
37	SAC32775B.P46	HP HEAD GASKET 65mm
38	SAC32055B.P41	CYLINDER HEAD (ALUMINIUM)
39	SAC32055B.P42	CYLINDER HEAD BOLT
40	SAC32055B.P43	AIR FILTER
45	SAC3203B.P45	CONNECTOR (3-WAY)
46	SAC32055B.P51	EXHAUST NUT
47	SAC3203B.P47	COOLER COMPLETE
48	SAC32055B.P50	ELBOW
49	SAC32775B.P49	HP ALUMINIUM SEAT
50	SAC3203B.P50	CIRCLIP FOR CRANKSHAFT
51	SAC3203B.P51	FLAT WASHER

NOTE: It is our policy to continually improve products and as such we reserve the right to alter data, specifications and component parts without prior notice.

IMPORTANT: No liability is accepted for incorrect use of product.

WARRANTY: Guarantee is 12 months from purchase date, proof of which will be required for any claim.

Sealey Group, Kempson Way, Suffolk Business Park, Bury St Edmunds, Suffolk. IP32 7AR



01284 757500



01284 703534



sales@sealey.co.uk



www.sealey.co.uk