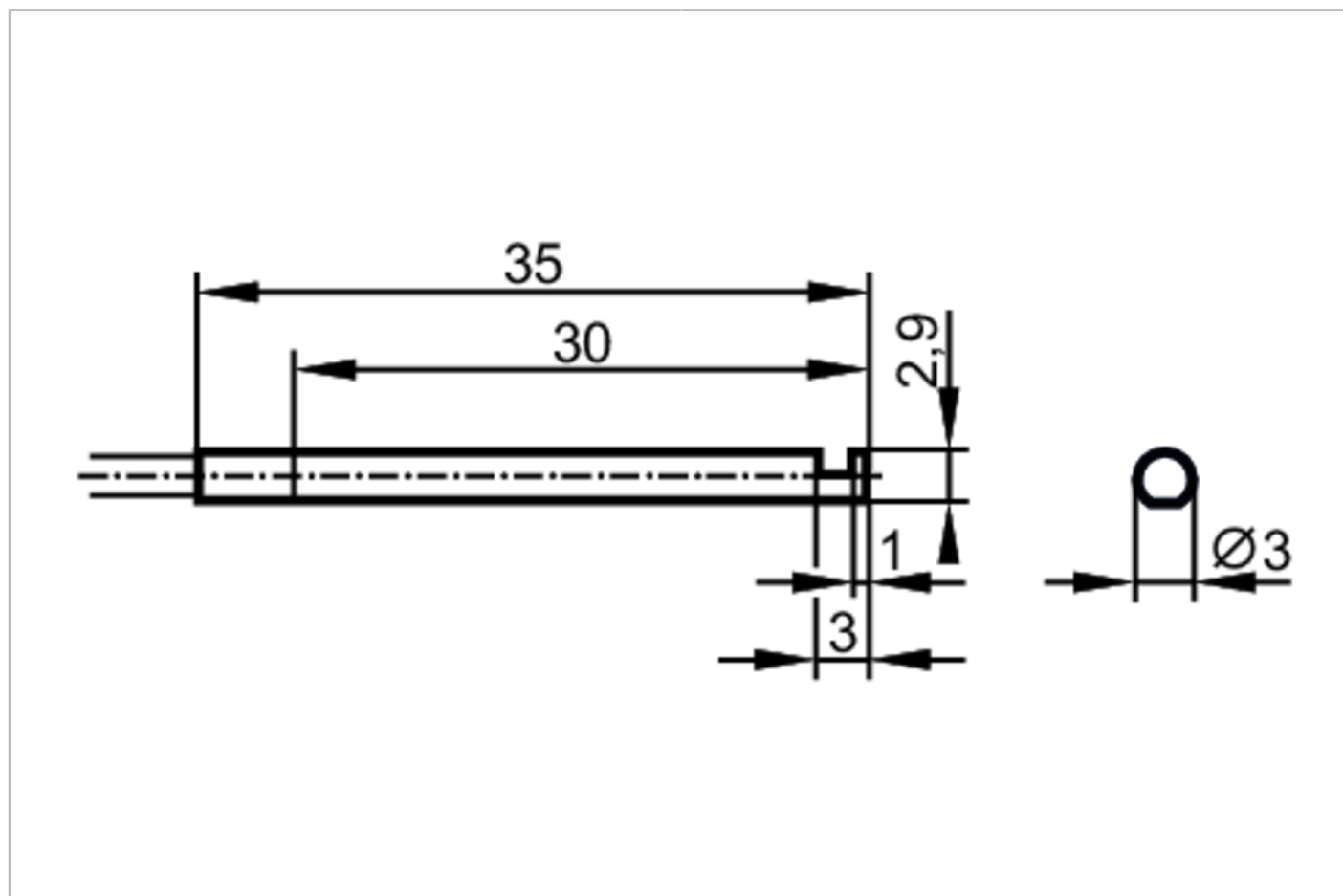


E20714



Fibre optic through beam sensor

FE-11-E-V-E3R/2m



| Application | | |
|---------------------------------------|------|----------------------------------|
| Design | | 90° deflection of the light beam |
| Function principle | | Through-beam sensor |
| Detection zone | | |
| Range with fibre optic amplifier type | | OB50; OBF; OO50 |
| OB50 | | |
| Range of fibre optics | [mm] | 140 |
| OBF | | |
| Range of fibre optics | [mm] | 230 |
| OO50 | | |
| Range of fibre optics | [mm] | 400 |
| Operating conditions | | |
| Ambient temperature | [°C] | -40...70 |

E20714



Fibre optic through beam sensor

FE-11-E-V-E3R/2m

| Mechanical data | |
|----------------------------|--------------------------------|
| Weight [g] | 58.5 |
| Version of sensing head | angled |
| Sensing head diameter [mm] | 3 |
| Total length [mm] | 2000 |
| Min. bending radius [mm] | 25 |
| Fibre arrangement | ● |
| Fibre material | PMMA |
| Fibre head material | stainless steel (1.4305 / 303) |
| Fibre sheath material | PE |
| Accessories | |
| Accessories (supplied) | E20107 |
| Remarks | |
| Pack quantity | 1 pcs. |