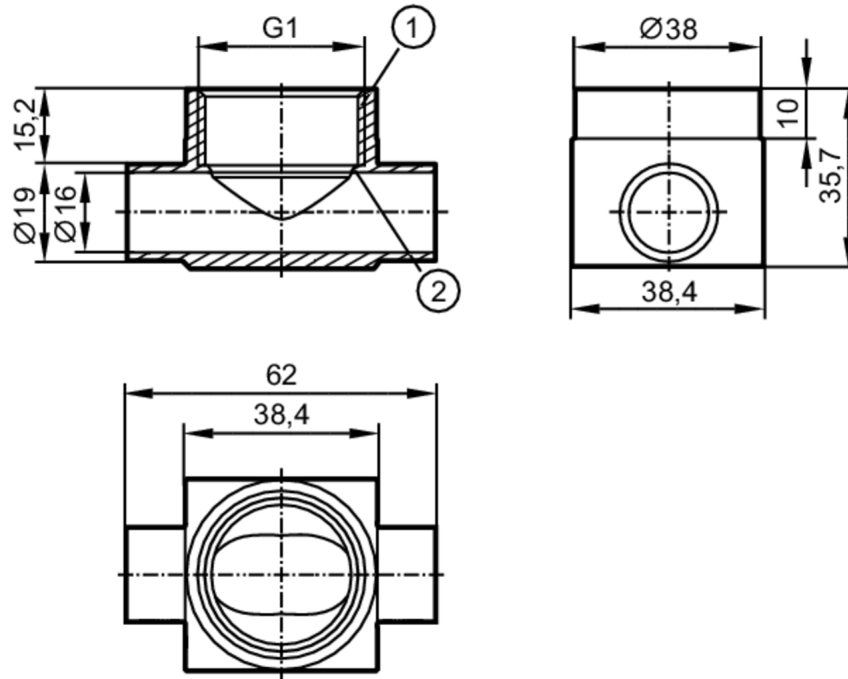


# E33252



## Welding adapter for process sensors

T-ADAPT G1 DN15



- 1 Aseptoflex Vario
- 2 sealing area

EC 1935/2004 

Application	
Pressure rating [bar]	25
Note on pressure rating	for the connection sensor - adapter
Mechanical data	
Weight [g]	273.5
Materials	stainless steel (1.4404 / 316L)
Sensor connection	G 1 external thread Aseptoflex Vario
Process connection	welding adapter D19
Surface characteristics Ra/Rz of the wetted parts	0.4 / 4
Sealing	Gasket
Accessories	
Accessories (supplied)	O-ring: 1 x 24 x 2 (EPDM), FDA compliant, E30054
Accessories (optional)	O-ring: 1 x 24 x 2 (FKM), FDA compliant, E30123
Remarks	
Pack quantity	1 pcs.