



Part no.: 50142455
A7-MH1
Signaling column element



Figure can vary

Contents

- Technical data
- Dimensioned drawings
- Notes
- Accessories

Part no.: 50142455 – A7-MH1 – Signaling column element

Technical data

Basic data	
Series	A7

Mechanical data	
Design	Cylindrical
Dimension (Ø x L)	70 mm x 47 mm
Housing material	Plastic
Net weight	85 g
Housing color	Black
Design of mounting device	Horizontal mounting
Type of fastening, at system	Screw type / horizontal
Module holder	One side

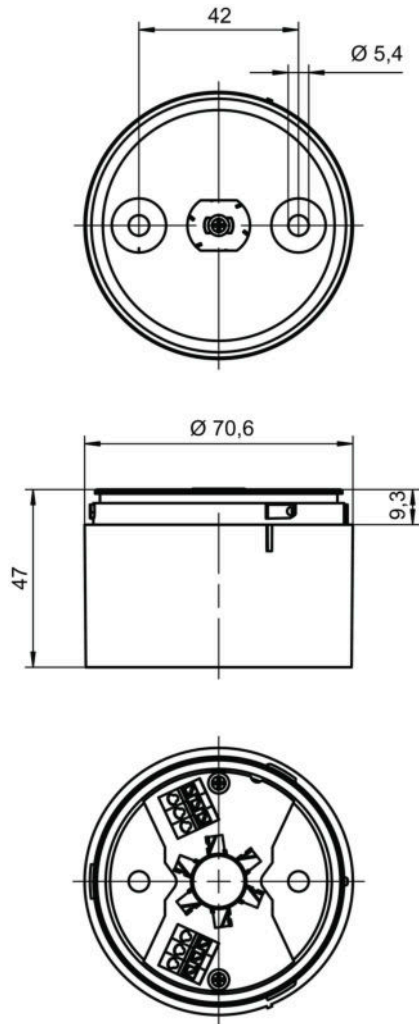
Environmental data	
Ambient temperature, operation	-10 ... 60 °C

Certifications	
Degree of protection	IP 66 , Only when mounted on a housing with the same degree of protection
Certifications	CSA

Classification	
Customs tariff number	85318070
eCl@ss 8.0	27371234
eCl@ss 9.0	27371234
ETIM 5.0	EC001259
ETIM 6.0	EC001259

Dimensioned drawings

All dimensions in millimeters




Notes

Observe intended use!

- This product is not a safety sensor and is not intended as personnel protection.
- The product may only be put into operation by competent persons.
- Only use the product in accordance with its intended use.



Accessories

Mounting technology - Mounting brackets

	Part no.	Designation	Article	Description
	50142896	A7-MW2	Signaling column element	Design: Angle, L-shape Fastening, at system: Through-hole mounting

Part no.: 50142455 – A7-MH1 – Signaling column element

General

	Part no.	Designation	Article	Description
	50135462	A7-V1-BZ1-M	Signaling column element	<p>Signaling: Acoustic Current consumption, max.: 70 mA Design: Cylindrical Diameter: 70 mm Fastening: Bayonet system Operational controls: DIP switch, 225° potentiometer Ambient temperature: -10 ... 60 °C Degree of protection: IP 66 Tone type: Continuous or pulse tone Sound pressure: 100 dB Number of tones: 8 Piece(s)</p>
	50138151	A7-V1-BZ2-S	Signaling column element	<p>Signaling: Acoustic Current consumption, max.: 20 mA Design: Cylindrical Diameter: 70 mm Fastening: Bayonet system Operational controls: 225° potentiometer Ambient temperature: -10 ... 60 °C Degree of protection: IP 66 Tone type: Continuous tone Sound pressure: 105 dB Number of tones: 1 Piece(s)</p>
	50135457	A7-V1-DS-R-T	Signaling column element	<p>Signaling: Optical Current consumption, max.: 50 mA Design: Cylindrical Diameter: 70 mm Fastening: Bayonet system Illuminant: LED/24V Signal image: Continuous light Lens color: Red Angle of radiation: 360° Ambient temperature: -10 ... 60 °C Degree of protection: IP 66</p>

Note

A list with all available accessories can be found on the Leuze electronic website in the Download tab of the article detailed page.