

IMPACT67 COMPACT MODULE, PLASTIC

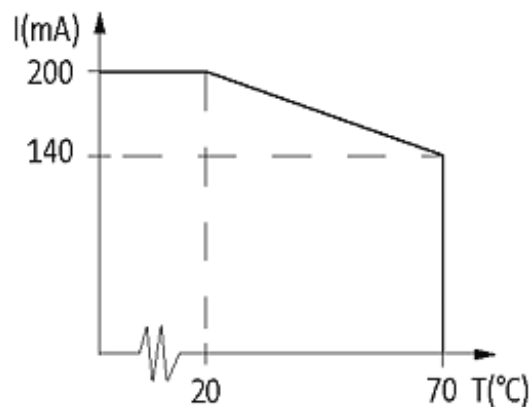
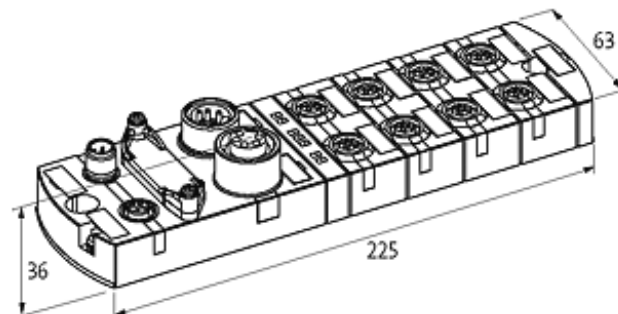
DeviceNet, 16 dig In

Digital inputs
DI16

For connection cables please see chapter "Connection Technology" Housings potted on the back

[Link to Product](#)

Illustration



Product may differ from Image

Approvals



More Info



Input

Sensor supply US	24 V DC (EN 61131-2), max. 200 mA (M12 female), short-circuit and overload protected
Type	for 3-wire sensors or mechanical switches, PNP, (EN 61131-2)

Connections

Fieldbus	M12, A-coded
Sensor-system/actuator supply	7/8", 5-pole, 2 × max. 9 A
I/O ports	M12, A-coded, 5-pole

Fieldbus

Operating voltage	24 V DC (EN 61131-2)
Operating modes	Polling; change of state; Cyclic
Transfer rate	125 kbit/s; 250 kbit/s; 500 kbit/s
Addressing	Rotary switch 0...63

General data

Protection	IP67
Mounting method	2 hole screw mounting, compatible with I/O modules of MVK model range
Temperature range	-25...+70 °C (storage temperature -25...+70 °C)
Dimensions H × W × D	39×63×225 mm

Diagnostic

Communication status	via LED
Diagnostic via LED	per module and channel
Diagnostic via BUS	per module
Monitoring - under voltage	yes
Monitoring - no voltage	yes
Short circuit and overload	yes

Commercial data

country of origin	DE
customs tariff number	85176200
minimum order quantity	1