

SVS ECO LED VALVE PLUG FORM CI 9.4 MM LED VDR 110V

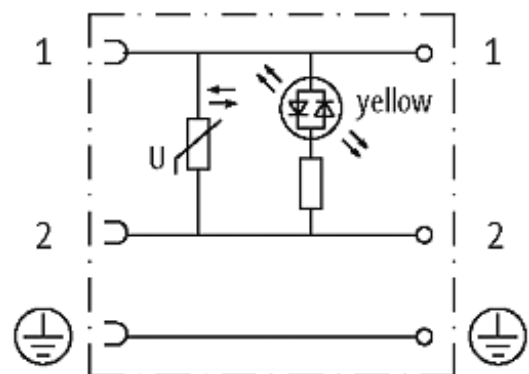
2+PE field-wireable M12

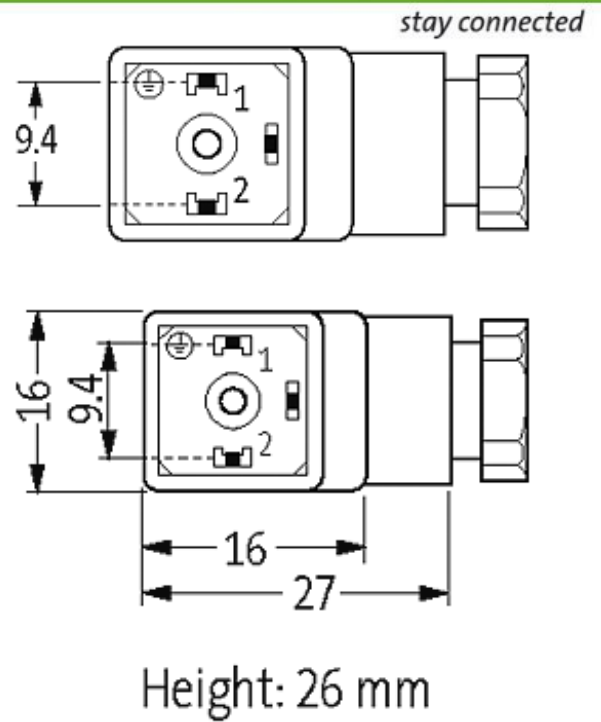
Form CI (9.4 mm)
110 V AC/DC with LED and VDR
metric

Plastic housings with good resistance against chemicals and oils. The resistance to aggressive media should be individually tested for your application. Further details on request.

[Link to Product](#)

Illustration





Product may differ from Image

Approvals



Form

30215

Technical Data

Operating voltage	110 V AC/DC (95...121 V AC/DC)
Operating current per contact	max. 1.5 A
Connection cross section	0.34...0.5 mm ²
Sealing range (cable diameter)	4...6 mm
Locking of ports	M3 (recommended torque 0.4 Nm)
Compression gland	M12 × 1.75 mm
Contact figure	Cable outlet can be turned in 90° steps
Protection	IP65 inserted and tightened

General data

Temperature range	-40...+60 °C
-------------------	--------------

Commercial data

country of origin	HU
customs tariff number	85369010
minimum order quantity	1