



Model Number

LA28/LK28-FC-Z/31/116

Fire protection thru-beam sensor with terminal compartment

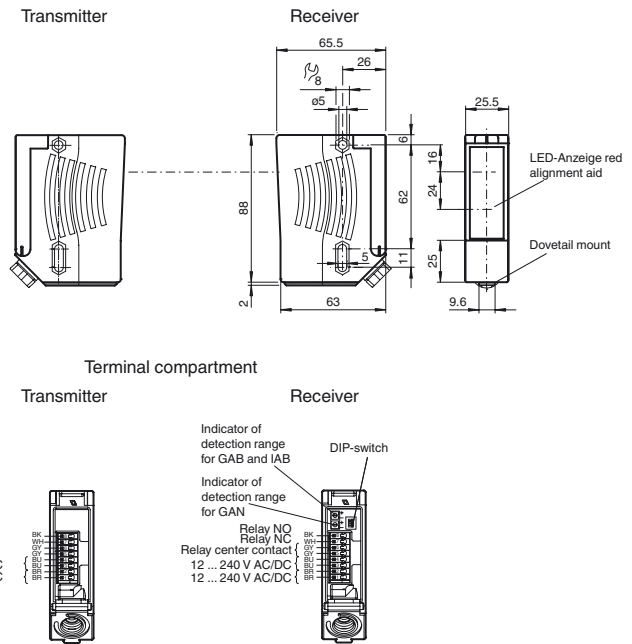
Features

- Compact fire protection photoelectric sensor for safety devices on fire barriers
- Approval in accordance with VdS Test Report FSA
- In the event of fire the smoke is disregarded, while persons in the smoke are detected
- Not sensitive to ambient light, even with switched energy saving lamps

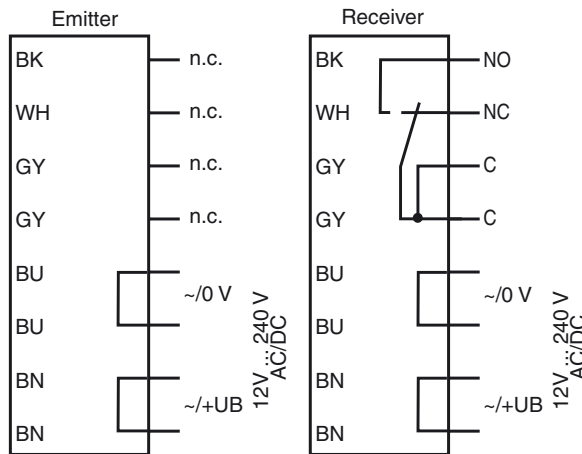
Product information

It is essential that fire is not allowed to spread in buildings should it break out. Fire protection regulations therefore prescribe fire barriers. These include fire doors, industrial fire doors and fire dampers, which are generally kept closed at all times. In areas where doors are left open, such as heavily traveled passageways and corridors, a self-closing mechanism must be automatically triggered in case of fire. However, the door must not close when persons or objects are in the closing area. Legislation consequently requires monitoring with appropriate safety devices. The technical challenge is to ignore the smoke and at the same time reliably detect people and objects in it. These certified photoelectric sensors fulfill this function.

Dimensions

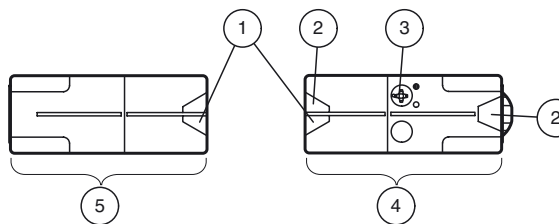


Electrical connection



The relay-functions "NC" and "NO" bear on the switching mode "Dark-ON". This complies to the default setting of the light/dark switch (factory setting).

Indicators/operating means



1	Operating display	green
2	Schaltanzeige	yellow
3	Bright/dark switch	
4	Receiver	
5	Transmitter	

Release date: 2012-06-11 16:14 Date of issue: 2012-08-01 203495_eng.xml

Subject to modifications without notice

Pepperl+Fuchs Group
www.pepperl-fuchs.com

USA: +1 330 486 0001
fa-info@us.pepperl-fuchs.com

Germany: +49 621 776-4411
fa-info@pepperl-fuchs.com

Copyright Pepperl+Fuchs
Singapore: +65 6779 9091
fa-info@sg.pepperl-fuchs.com

Technical data**General specifications**

Effective detection range	0 ... 10 m
Threshold detection range	10 m
Light source	LED, 660 nm and IRED, 880 nm
Light type	modulated visible red light and modulated infrared light
Tests	Verband der Sachversicherer e. V. report: FSA 07007
Alignment aid	LED red (in receiver lens) illuminated constantly: beam is interrupted, flashes: reaching switching point, off: sufficient stability control
Diameter of the light spot	approx. 0.2 m at 10 m
Angle of divergence	Emitter 1.2°, Receiver 5°
Ambient light limit	50000 Lux

Indicators/operating means

Operating display	LED green
Function display	LED yellow: 1. LED lit constantly: signal > 2 x switching point (function reserve) 2. LED flashes: signal between 1 x switching point and 2 x switching point 3. LED off: signal < switching point
Controls	Light/Dark switch ; Time adjuster

Electrical specifications

Operating voltage	U_B	12 ... 240 V AC/DC
Protection class		II, rated voltage ≤ 250 V AC with pollution degree 1-2 according to IEC 60664-1 Output circuit basis insulation of input circuit according to EN 50178, rated insulation voltage 230 V AC Caution! The protection class 2 is only valid when the terminal compartment is closed.
Power consumption	P_0	≤ 3.5 VA

Output

Switching type		light/dark on, switchable . (selectable, light/dark switching is only activated if the receiver has 'dark on' selected.)
Signal output		Relay, 1 alternator
Switching voltage		max. 250 V AC/DC
Switching current		max. 2 A
Switching frequency	f	25 Hz
Response time		20 ms
Timer function		ON delay (GAN), OFF delay (GAB), one shot (IAB), ON delay-OFF delay (GAN-GAB), programmable adjustment range 0.1 ... 10 s

Standard conformity

Standards	EN 60947-5-2
-----------	--------------

Ambient conditions

Ambient temperature	-40 ... 60 °C (-40 ... 140 °F)
Storage temperature	-40 ... 75 °C (-40 ... 167 °F)

Mechanical specifications

Protection degree	IP67
Connection	terminal compartment with 8 spring-loaded terminals for wire cross section 0.5 ... 1.5 mm ² , Insulation stripping 7.5 ... 8.5 mm, M16 x 1.5 cable gland
Material	
Housing	Plastic ABS
Optical face	Plastic pane
Mass	200 g (emitter and receiver)

Approvals and certificates

CCC approval	Certified by China Compulsory Certification (CCC)
--------------	---

Typical applications

- Protection of barriers that can be walked through, such as fire doors, industrial fire doors and fire dampers
- Protection of barriers in the vicinity of track-based conveyor systems
- Reliable detection of people and objects for hold-open systems on fire barriers, even in smoky conditions

Detection area**Accessories****OMH-05**

Mounting aid for round steel ø 12 mm or sheet 1.5 mm ... 3 mm

OMH-07

Mounting aid for round steel ø 12 mm or sheet 1.5 mm ... 3 mm

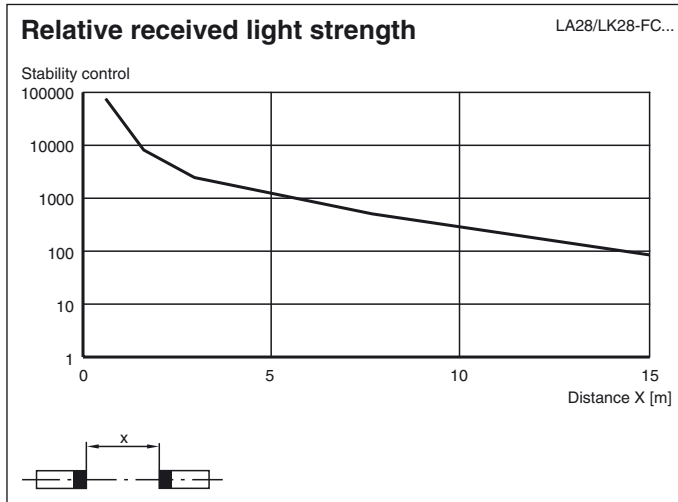
OMH-21

Mounting bracket

OMH-22

Mounting bracket

Other suitable accessories can be found at www.pepperl-fuchs.com



Functional principle

Fire protection photoelectric sensors are photoelectric sensor systems as safety devices for hold-open systems on fire barriers. The safety device is used to monitor the closing area of fire barriers for obstacles. The safety device ensures that the barrier is only closed if there are no obstacles in the closing area.

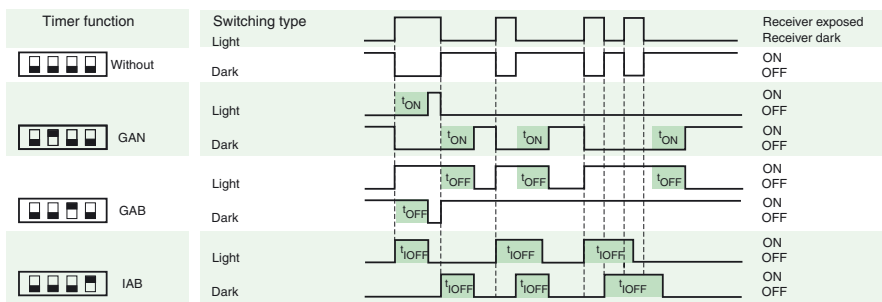
The LA28/LK28-FC is a thru-beam sensor with a power supply for 12 - 240 V AC/DC.

The thru-beam sensor contains an emitter and a receiver in separate housings. These components must be optically aligned with one another in a single line. The light emitted from the source is detected by the receiver and evaluated. When the light beam is interrupted, the switching function is triggered.

With its high excess gain at sensing ranges of up to 10 m, the thru-beam sensor is suitable as a safety device for hold-open devices on fire barriers. The photoelectric sensor is insensitive to reflective and shiny objects.

Setting the timer functions:

The desired timer function can be set with the DIP switches.



Version	Description	Notes
-Z	"OFF delay" time relay, (GAB)	Time range adjustable, 0.1 s - 10 s
	Impulse-type "OFF delay" time relay, (IAB)	
	"On delay" time relay, (GAN)	
	"ON/OFF delay" double time relay (GAN/GAB)	
	"ON impulse-type/OFF delay" double time relay (GAN/IAB)	