

RoHS
Compliant



30 Piece Universal Adapter

Kit Contains:

- 6 - Universal Adapters
- 2 - BNC - Male
- 2 - BNC - Female
- 2 - N - Male
- 2 - N - Female
- 2 - SMA - Male
- 2 - SMA - Female
- 2 - TNC - Male
- 2 - TNC - Female
- 2 - UHF - Male
- 2 - UHF - Female
- 2 - M - UHF Male
- 2 - M - UHF Female

Create any inter-series or intra-series adapter you need.

Each fitting has a common connector end and a universal adapter end. Choose the two common connector ends you need, and screw them together with the universal adapter.

Our adapter kits let you mix and match any 2 male or female coaxial fittings.

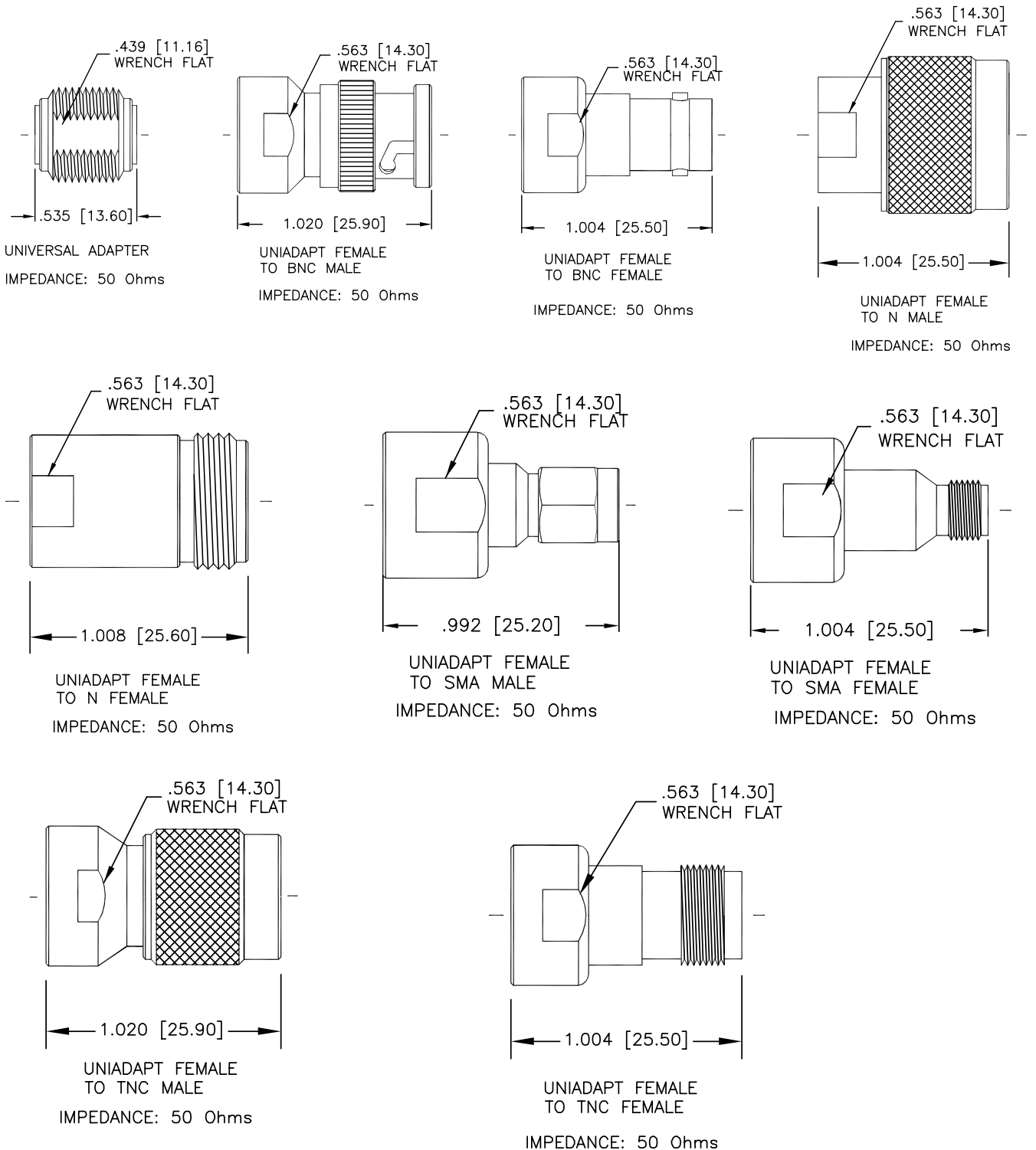
Build the perfect adapter for the job - male to male, male to female, or female to female.

All sections are made of silver plated machined brass with a gold plated phosphor bronze contact anchored in a PTFE dielectric.

Thirty pieces are stored in a padded, soft zippered carrying case.

Universal Adapter Kit

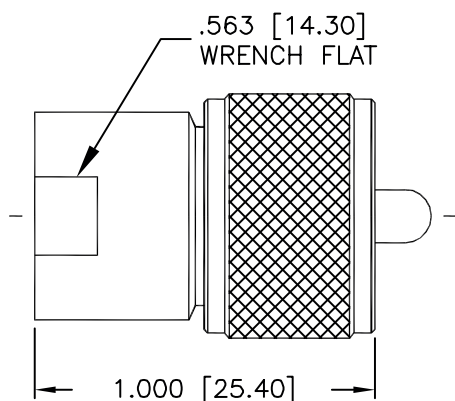
multicomp PRO



Dimensions : Inches (Millimeters)

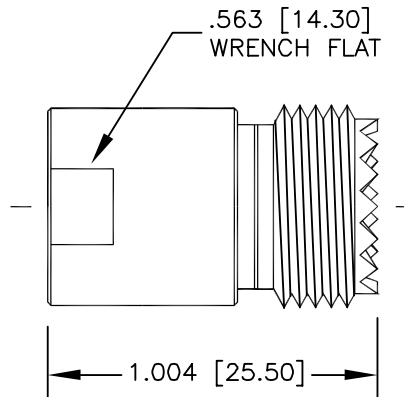
Newark.com/multicomp-pro
 Farnell.com/multicomp-pro
 Element14.com/multicomp-pro

multicomp PRO



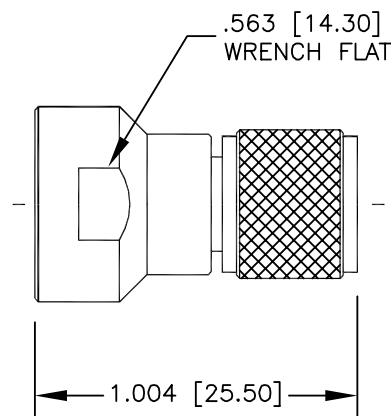
UNIADAPT FEMALE
TO UHF MALE

IMPEDANCE: Non Constant



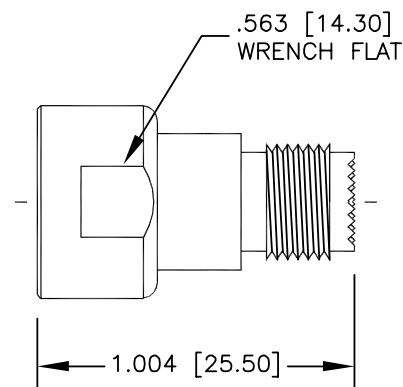
UNIADAPT FEMALE
TO UHF FEMALE

IMPEDANCE: Non Constant



UNIADAPT FEMALE
TO MINI UHF MALE

IMPEDANCE: 50 Ohms



UNIADAPT FEMALE TO
MINI UHF FEMALE

IMPEDANCE: 50 Ohms

Dimensions : Inches (Millimeters)

Part Number Table

Description	Part Number
Universal Adapter Kit, 30 Pieces, S,G,T	8589-0863

Important Notice : This data sheet and its contents (the "Information") belong to the members of the AVNET group of companies (the "Group") or are licensed to it. No licence is granted for the use of it other than for information purposes in connection with the products to which it relates. No licence of any intellectual property rights is granted. The Information is subject to change without notice and replaces all data sheets previously supplied. The Information supplied is believed to be accurate but the Group assumes no responsibility for its accuracy or completeness, any error in or omission from it or for any use made of it. Users of this data sheet should check for themselves the Information and the suitability of the products for their purpose and not make any assumptions based on information included or omitted. Liability for loss or damage resulting from any reliance on the Information or use of it (including liability resulting from negligence or where the Group was aware of the possibility of such loss or damage arising) is excluded. This will not operate to limit or restrict the Group's liability for death or personal injury resulting from its negligence. Multicomp Pro is the registered trademark of Premier Farnell Limited 2019.