

## Line laser, red, 650 nm, 90 °, 3 mW

LB650-3-3(16x45)  
Order Number: 70103083

Main Parameters (*)	min	typ	max	Unit
Wavelength		650		nm
Optical Output Power		3		mW
Operating Voltage	2.7	3	3.3	V DC
Operating Current	30	40	50	mA
Operating Temperature	-20		50	°C
Storage Temperature	-40		80	°C

### Main Data

Warranty 1 years

### Technical Parameters

Lifetime > 5,000 h  
RoHS yes

### Optical Parameters

Beam Shape	Line
Laser Class	1
Divergence	B - 0.3 mrad
Fan Angle	90 °
Line Thickness	<1.5mm@2m
Operating Distance	2 m
Optics	glass lens AR coated
Laser technology	diode
Focus	fixed (2000mm)
Camber	Less then 1mm

### Electrical Parameters

Potential of Housing isolated  
Power Supply LFNT-3

### Mechanical Parameters

Size	Ø16x45 mm
Material	aluminium
Cable length	100 mm
Wire type	26AWG, 0,14mm <sup>2</sup>
Housing Color	black
Weight	23.5 g

(\*) Over the complete operating temperature range

## Features



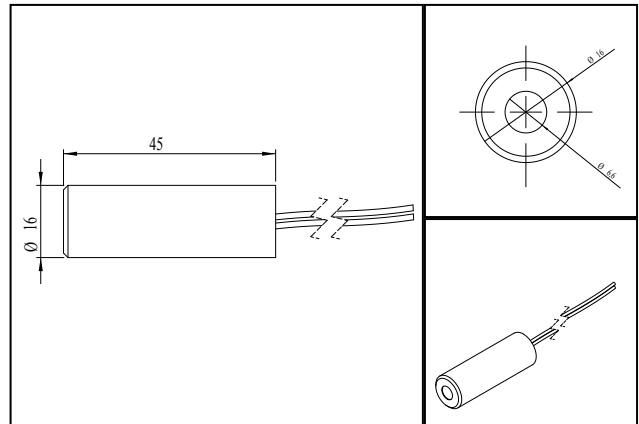
## Picture



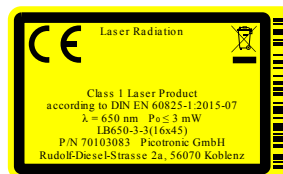
## Cable color

Ground		black	GND
positive		red	2.7 - 3.3, typ 3 V DC

## Drawing



## Safety Label



## Valid Revision

5 | 23-APR-2013