

# FDSD Series Micro Mini Side Actuated Detect Switches

**NEW**



## Features/Benefits

- Extremely small package size
- Vertical Side Actuation
- Flat or Bending Terminations
- Long Travel Type
- RoHS Compliant

## Typical Applications

- Consumer electronics
- Medical devices
- Safety control devices

## Specifications

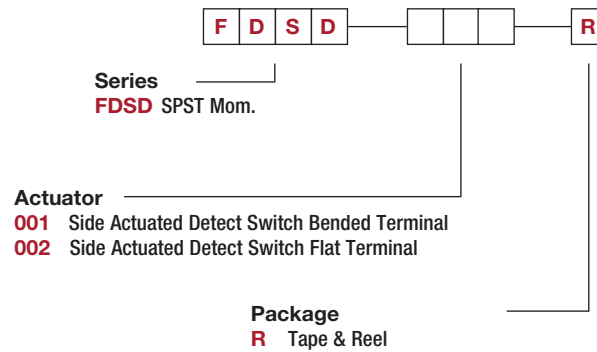
CONTACT RATING: 50  $\mu$ A @ 3VDC, 10 mA @ 5 VDC  
 MECHANICAL & ELECTRICAL LIFE: 50,000 operations  
 CONTACT RESISTANCE: 1  $\Omega$  max  
 INSULATION RESISTANCE: 100M  $\Omega$  min  
 DIELECTRIC STRENGTH: 100VAC @ 1 minute  
 OPERATING TEMPERATURE: -10°C to +60°C  
 OPERATING FORCE: 40gf max.  
 TRAVEL: 3.05 mm or 60°  
 SOLDERABILITY: According to lead free solder profiles  
 PACKAGING: 3,500 pieces per reel.

## Materials

BASE: PA9T  
 COVER: C7701R  
 ACTUATOR: PA 46  
 MOVABLE CONTACT: Beryllium Copper  
 TERMINALS: Phosphor Bronze, Ag over Ni Plating

## Build-A-Switch

Complete part numbers for FDSD Series are shown below.



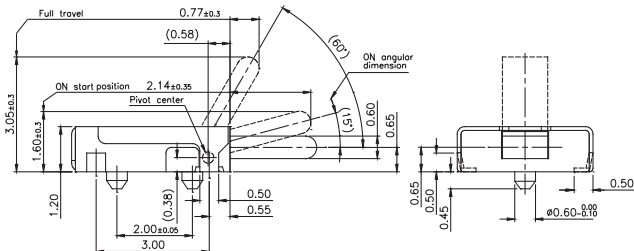
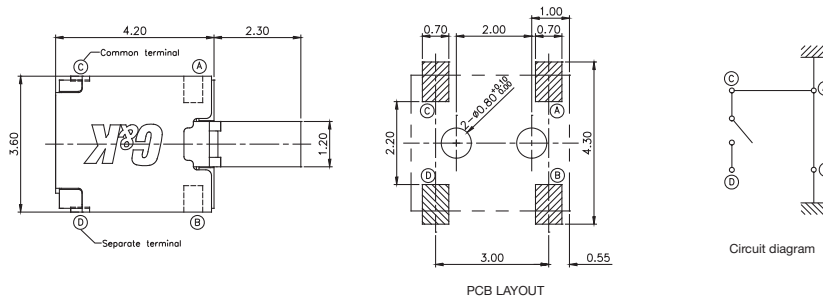
Detect

NEW

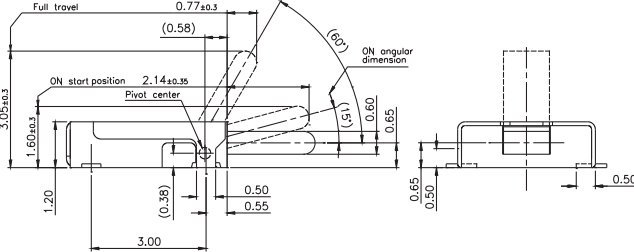
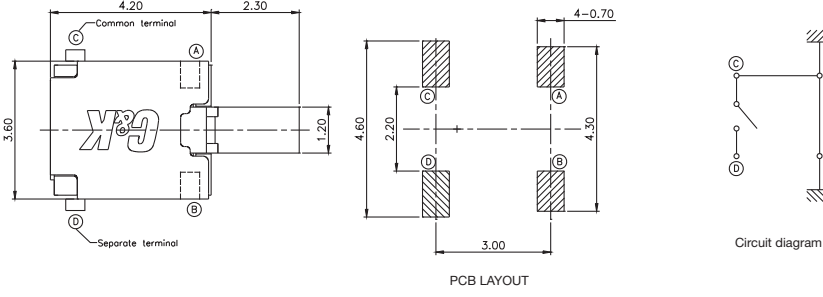
# FDSD Series Micro Mini Side Actuated Detect Switches

## SERIES

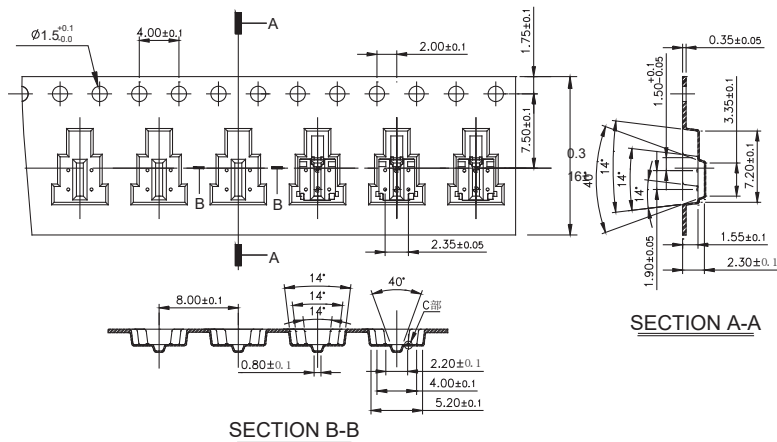
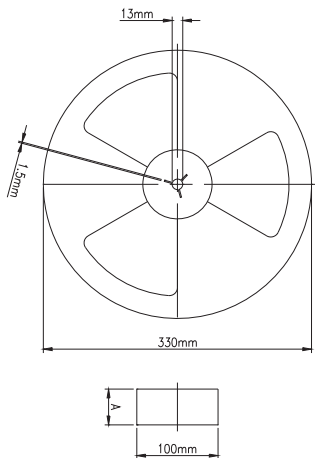
### FDSD001R



### FDSD002R



## TAPE & REEL



Detect