

SPEEDY RJ45 Heavy-Duty Ratchet Crimp Tool



SPEEDY RJ45 Heavy-Duty Ratchet Crimp Tool (TRCSPDY2)

Our Heavy-Duty ratchet crimp tool is designed for professional installers using **SPEEDY** RJ45 and similar feedthrough plugs. This high-quality tool has blades that are designed for use with cable with larger core ODs (for example horizontal Category 6A) but is also suitable for standard cores.

Features:

- Designed for use with all **SPEEDY** RJ45 plugs including PGSPDY3
- Suitable for use with cores OD 0.9-1.4mm
- Suitable for crimping standard RJ45 plugs
- Replacement blade TBSDPY2 recommended after 1000 crimps
- Made in Taiwan

Specifications:

- Net weight (including primary packaging): 476 g
- Dimensions (including primary packaging): 21.5 x 8.5 x 3.5 mm
- Colour: blue and black



- **Materials:**
Frame: Carbon Steel with black oxide finish
Handles – Thermoplastic Rubber (TPR)

Packaging: Packaged in white carton

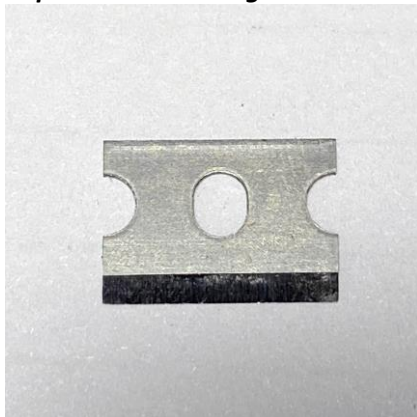
EAN: 5055386510297

Commodity Code: 84678900

Country of Origin: Taiwan

Video: https://www.youtube.com/watch?v=55BwDioHv_U&ab_channel=TUKLTD

Replacement Cutting Blades



Cutting blade for TRCSPDY2 crimp tool

This replacement blade ensures that crimping performance level is maintained throughout the life of the heavy duty TRCSPDY2 **SPEEDY RJ45** crimp tool.

Note: Different core sizes and insulation materials wear the blade differently. For Category 6A cable, to maintain excellent performance, it is recommended that the blade is replaced after every 1000 terminations.

Features

- High performance cutting blade guarantees a flush wire trim on extended conductors

Specifications

- Material: tool steel

Product code: TBSPDY2

Packaging

Supplied in individual poly bag, then in packs of 10



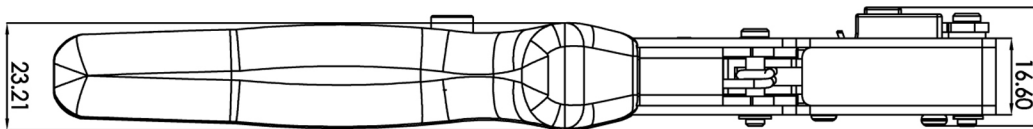
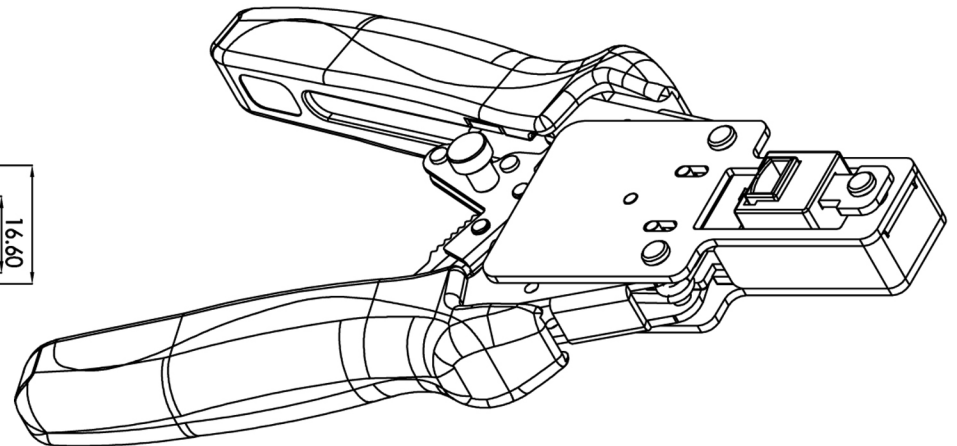
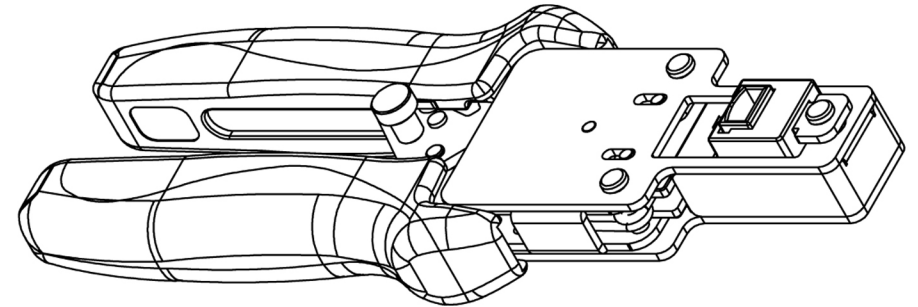
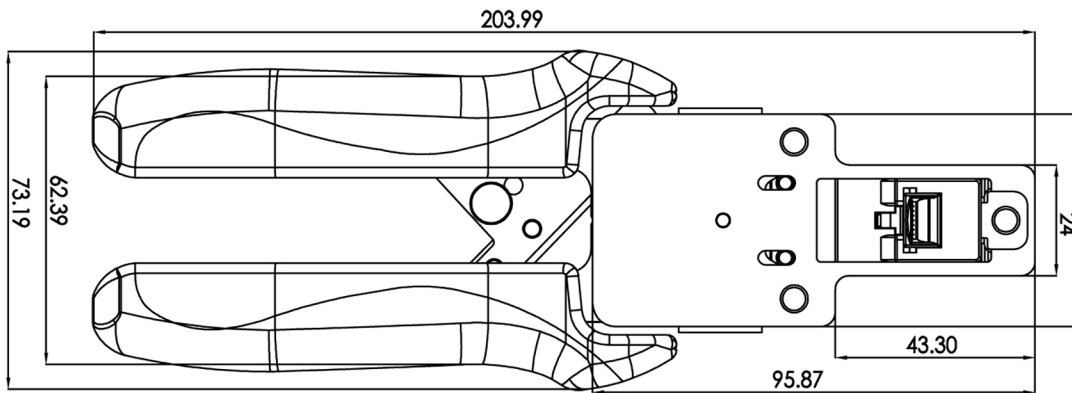
09/11/2022



SPEEDY RJ45

ROHS Compliant

Code: TRCSPDY2



01/11/2022