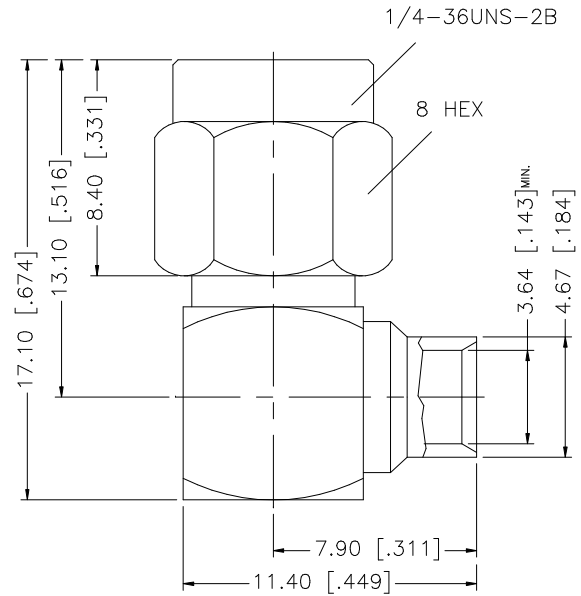


| REV. | DATE     | DESCRIPTION     |
|------|----------|-----------------|
| NC   | 05/22/03 | INITIAL RELEASE |



|   |               |             |         |     |
|---|---------------|-------------|---------|-----|
| 8 |               |             |         |     |
| 7 | COVER         | BRASS       | GOLD    | 1   |
| 6 | GASKET        | SILICONE    | RED     | 1   |
| 5 | RETAINER RING | BER. COPPER | NATURAL | 1   |
| 4 | CONTACT PIN   | BRASS       | GOLD    | 1   |
| 3 | INSULATOR     | TEFLON      | NATURAL | 1   |
| 2 | BODY          | BRASS       | GOLD    | 1   |
| 1 | SHELL         | BRASS       | GOLD    | 1   |
|   | DESCRIPTION   | MATERIAL    | FINISH  | QTY |

UNLESS OTHERWISE SPECIFIED DIMENSIONS ARE IN MILLIMETERS. DIMENSIONS IN [ ] ARE IN INCHES AND FOR CUSTOMER REFERENCE ONLY.

UNLESS OTHERWISE SPECIFIED TOLERANCES FOR MILLIMETERS ARE:  
0.5 - 8mm ± 0.20mm  
8 - 30mm ± 0.40mm  
30 - 120mm ± 0.50mm

UNLESS OTHERWISE SPECIFIED TOLERANCES FOR INCHES ARE:  
.020 - .315 = ± 0.007"  
.315 - 1.180 = ± 0.015"  
1.180 - 4.724 = ± 0.020"

DO NOT SCALE DRAWING

| APPROVALS    | DATE              |
|--------------|-------------------|
| DRAWN G.R.S. | 05/22/03          |
| CHECKED      |                   |
| ISSUED       |                   |
| SHEET 1 OF 1 |                   |
| CAD FILE     | C:/132/132112.DWG |

|  |            |       |    |
|--|------------|-------|----|
| <b>Amphenol Connex</b>                                     |            |       |    |
| PART DESCRIPTION   |            |       |    |
| SMA R/A DIRECT SOLDER PLUG<br>(FOR .141" SEMI-RIGID CABLE) |            |       |    |
| PART NO.   |            |       |    |
| 132112   |            |       |    |
| DWG. NO.   | 132112.DWG | REV.  | NC |
| SIZE   | A          | SCALE | NA |