

# Miniature Circular Plastic Connectors

## Product Facts

- Two shell sizes: Size 8 (1-4) or Size 11 (5-9) contact positions
- Pre-positioned 1/4 turn coupling ring with positive lock and alignment feature
- Unique contact pattern for each position size helps prevent accidental mating with other position sizes
- Sealed to IP67 (Protected against immersion in water up to 1 meter for 1/2 hour)
- Front or rear jam nut panel mounting
- No assembly required
- Receptacle available in free-hanging or panel mount versions
- Alternate keys available



AMP Miniature Circular Plastic Connectors (CPC) are available in wire-to-wire and wire-to-panel configurations. Utilizes existing Mini-Universal MATE-N-LOK stamped and formed contacts designed for up to 500 mating cycles when plated with gold or up to 50 cycles with tin plating. Nylon housings offer good resistance to a wide range of chemical agents while the IP67 sealing helps prevent ingress of dirt or fluids that could have an adverse effect on the contact interface. Ideal for Industrial, Instrumentation and Transportation applications where size, contact density and environmental exposure are primary concerns.

## Technical Documents

### Product Specification

108-2079 Miniature CPC Connectors

### Application Specification

114-13105

## Material and Finish

**Seal, Wire Entry** – Elastomer, yellow or white

**Seal, Peripheral** – Elastomer, gray

**Housing** – Thermoplastic, black

**Protector, Seal** – Thermoplastic, natural

**Ring, Coupling** – Thermoplastic, black

**Nut, Jam** – Brass, nickel plated

**Plate, Seal Retention** – Thermoplastic, black

# Receptacles and Plugs, Shell Size 8 (4 Position shown)

## Receptacle Assembly, Panel Mount

(Order pin contacts separately - see page 66)



## Housing Part Numbers

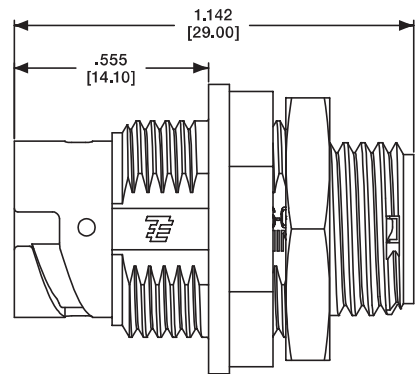
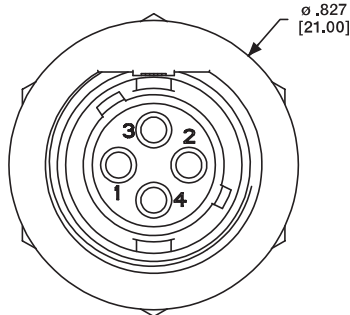
Arrangement	Shell Size	No. of Pos.	Insulation Diameter Range	Housing Part Numbers		
				Panel Mount Receptacle	Free-Hanging Receptacle	Plug
8	1	1	.035-.059 [.89-1.5]*	1445539-1	1445526-1	1445536-1
			.059-.110 [1.5-2.39]	1445539-3	1445526-3	1445536-3
8	2	2	.035-.059 [.89-1.5]*	1445538-1	—	1445535-1
			.059-.110 [1.5-2.39]	1445538-3	1445522-3	1445535-3
8	3	3	.035-.059 [.89-1.5]*	1445537-1	1445510-1	1445534-1
			.059-.110 [1.5-2.39]	1445537-3	1445510-3	1445534-3
8	4	4	.035-.059 [.89-1.5]*	1445421-1	1445389-1	1445390-1
			.059-.110 [1.5-2.39]	1445421-3	1445389-3	1445390-3

**Note:** Alternate keys available (115° part numbers shown in above chart)

\* Insertion Tip (Seal Protector) **Part No. 1604816-1** recommended for use when inserting socket contacts within this insulation range.

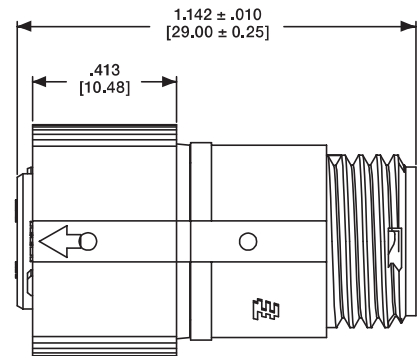
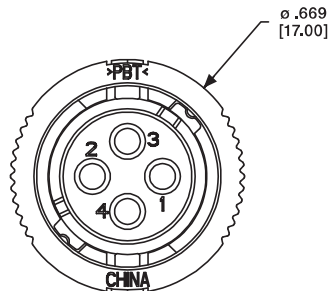
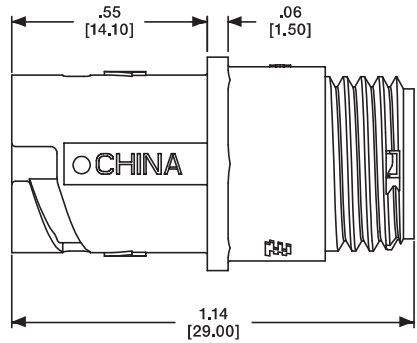
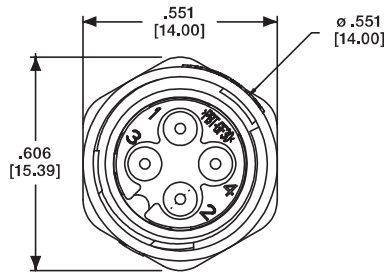
## Receptacle Assembly, Free-Hanging

(Order pin contacts separately - see page 66)



## Plug Assembly

(Order socket contacts separately - see page 66)



## Related Product Data

Part Numbers - Page 65

Contacts - Page 66

Accessories - Page 66