

Line laser, green, 532nm, 90°, 50mW

LD532-50-24(40x210)

Order Number: 70115482

| Main Parameters (*) | min | typ | max | Unit |
|-----------------------|------|-----|------|------|
| Wavelength | | 532 | | nm |
| Optical Output Power | | 50 | | mW |
| Operating Voltage | 21.6 | 24 | 26.4 | V DC |
| Operating Current | 50 | 100 | 150 | mA |
| Operating Temperature | 15 | | 30 | °C |
| Storage Temperature | -40 | | 80 | °C |

Technical Parameters

| | |
|----------|---------|
| Lifetime | >10000h |
| RoHS | yes |

Optical Parameters

| | |
|--------------------|----------------------|
| Beam Shape | Line |
| Laser Class | 2M |
| Divergence | D - 0.5mrad |
| Fan Angle | 90° |
| Line Thickness | <3mm@7m |
| Operating Distance | 30m |
| Optics | glass lens AR coated |
| Beam Mode | TEM00 |
| Laser technology | YVO4+KTP |
| Stability | +/- 20% @ 15-30°C |
| Focus | fixed (7.0m) |
| Warm up time | <15min |

Electrical Parameters

| | |
|----------------------|----------|
| Potential of Housing | isolated |
|----------------------|----------|

Mechanical Parameters

| | |
|-----------------|---------------------|
| Size | Ø40x210mm |
| Material | aluminium |
| Cable length | 3000mm |
| Wire type | 18AWG, black, 3,6mm |
| Output Aperture | 8mm |
| Weight | 920g |

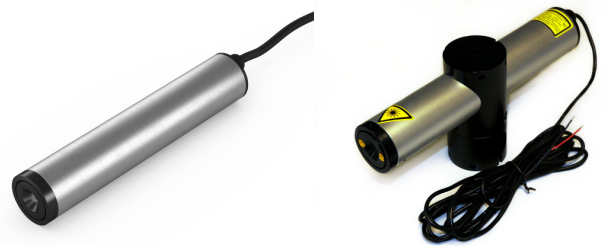
(*) Over the complete operating temperature range

Features

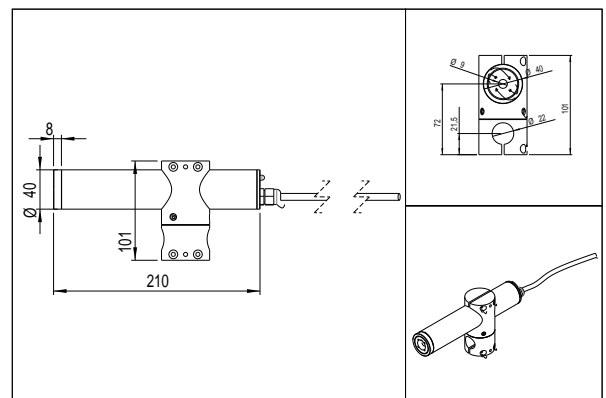


- Operating Voltage 24V DC
- Glas lenses anti reflex coated
- Laser Class 2M
- Operating Voltage 24V DC
- Uniform line thickness

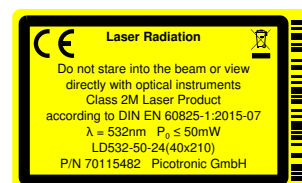
Picture



Drawing



Safety Label



Revision

REV 7 | 28-NOV-2017