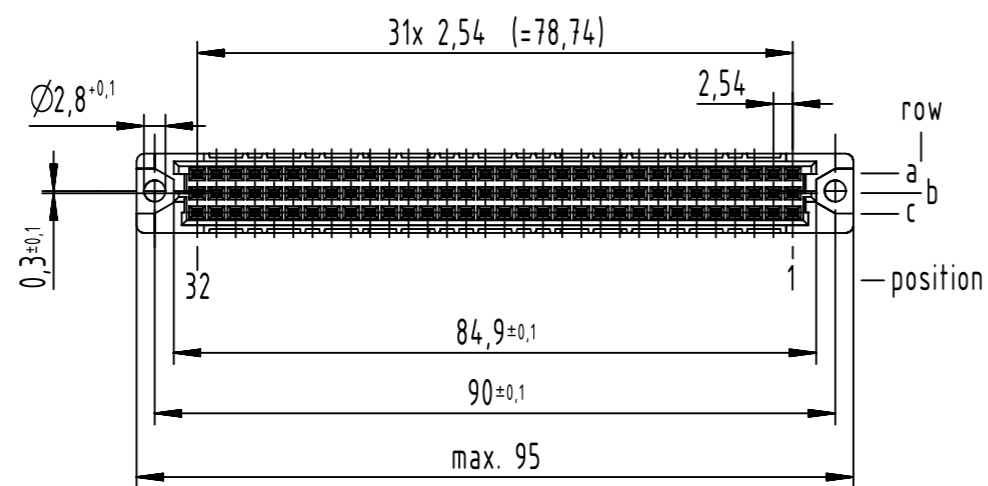
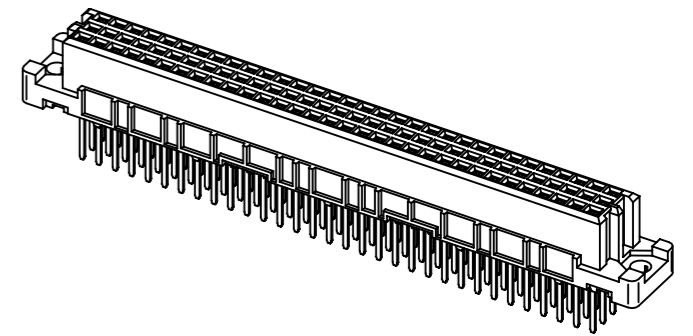
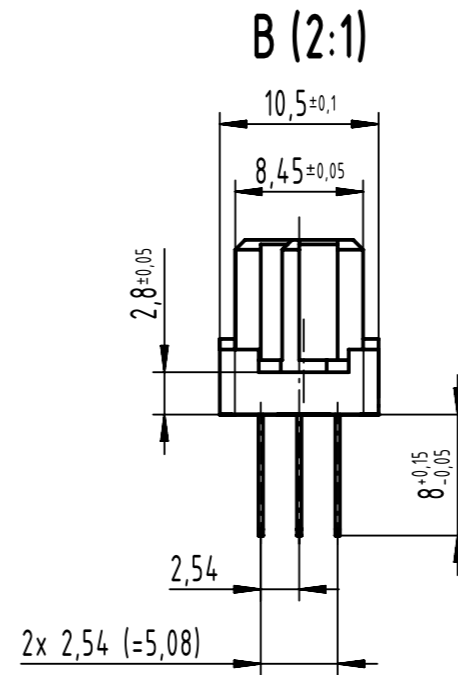
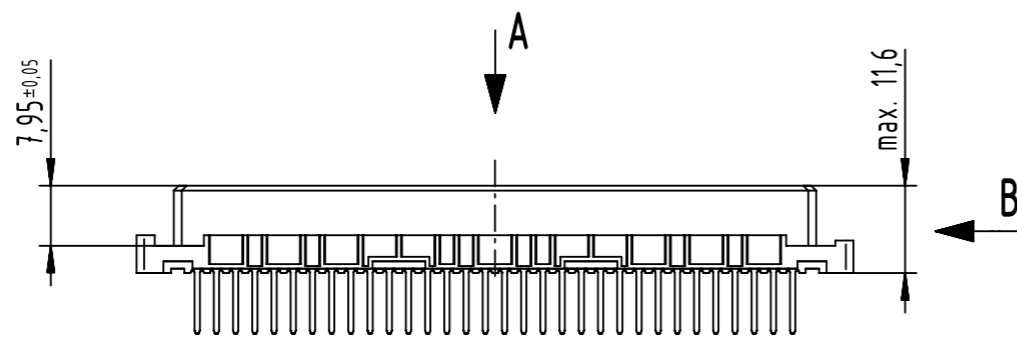


96 solder contacts

☒ = solder contact

□ = position without contact



further information see product data sheet

09 03 296 6877	2
part no.	performance level

	All Dimensions in mm Original Size DIN A3		Scale 1:1	Free size tol. IEC 60603-2		Ref.	
	All rights reserved Department EL PD		Created by STORCK	Inspected by LEHNERT	Standardisation 302077	Date 2021-03-23	State Final Release
HARTING D-32339 Espelkamp		Title DIN Signal type C female solder 8.0 CTI>400				Doc-Key / ECM-Nr. 100197382/UGD/005/G 500000191082	
		Type TB	Number 0903296X877			Rev. G	Page 1/1