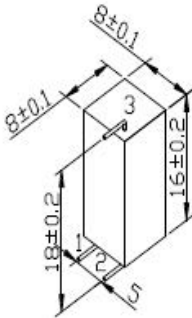
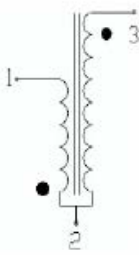
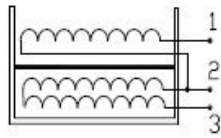


Datasheet

Item no. 1565077

V1_0917_01_en

Trigger Transformer for Flash Lamp

<u>SPECIFICATION</u>		Parts No: C-E3E-1.2	
Customer :	_____	REV : <u> 01 </u>	
Description :	_____	DATE : <u>2016.07.08</u>	
Specification :	<u>8X8X16</u>		
Parts No :	<u>C-E3E-1.2</u>		
Remark :			
<p>一、Mechanical :</p> <div style="display: flex; justify-content: space-around; align-items: center;">    </div>			
<p>二、Electrical Requirement</p>		<p>三、Test Instruments</p>	
<p>1. Inductance</p>		<p>1. Inductance TH2811 Type LCR Digital bridge</p>	
PIN: 1-2	15+/-4uH	<p>2. DC Resistance TH2811 Type LCR Digital bridge</p>	
PIN: 2-3	25+/-5mH	<p>3. OutPut Tektronix TDS1012</p>	
<p>2. DC Resistance</p>		<p>4. INSULATION MS2670B Type Voltage tester</p>	
PIN: 1-2	0.35Ω(MAX)		PRIMARY SECONDARY
PIN: 2-3	140Ω+/- 20%	PRIMARY VOLTAGE, U _{sp}	200V 11KVp-p
Turns ratio	43:1 0.23/34T 0.05/1420T	PRIMARY CAPACITANCE	0.047uF
4. INSULATION Pressure	20KV (MIN)	SECONDARY VOLTAGE, U _{sec}
<p>Remark</p>			
Approved By	Checked By	Quality Protection	Drawn By