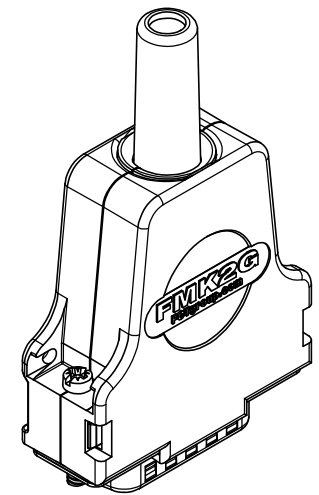
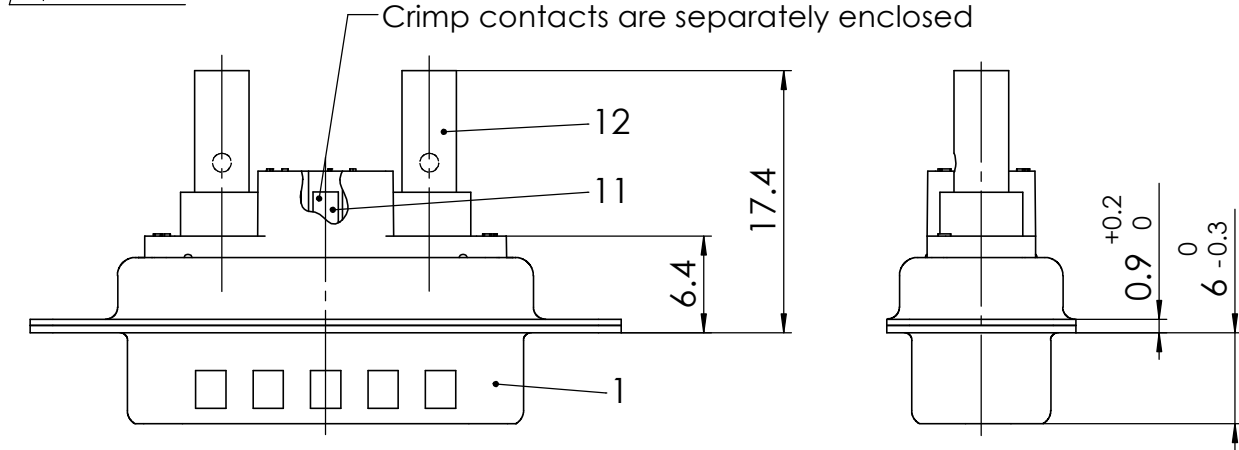
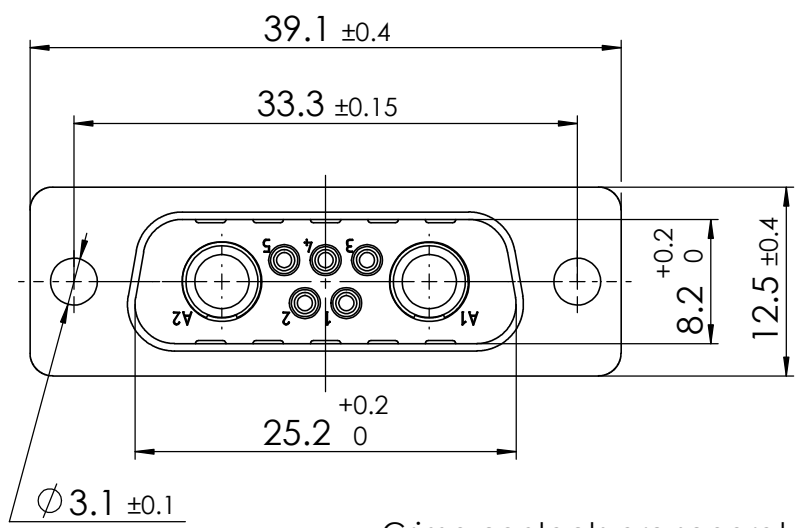


COMMENT: ALL RIGHTS ARE RESERVED BY US FOR THIS DRAWING. WITHOUT OUR PRIOR CONSENT, IT MAY NEITHER BE DUPLICATED NOR MADE AVAILABLE TO A THIRD PARTY, AND IT ALSO MAY NOT BE IMPROPERLY USED BY THE RECEIVER, OR A THIRD PARTY.

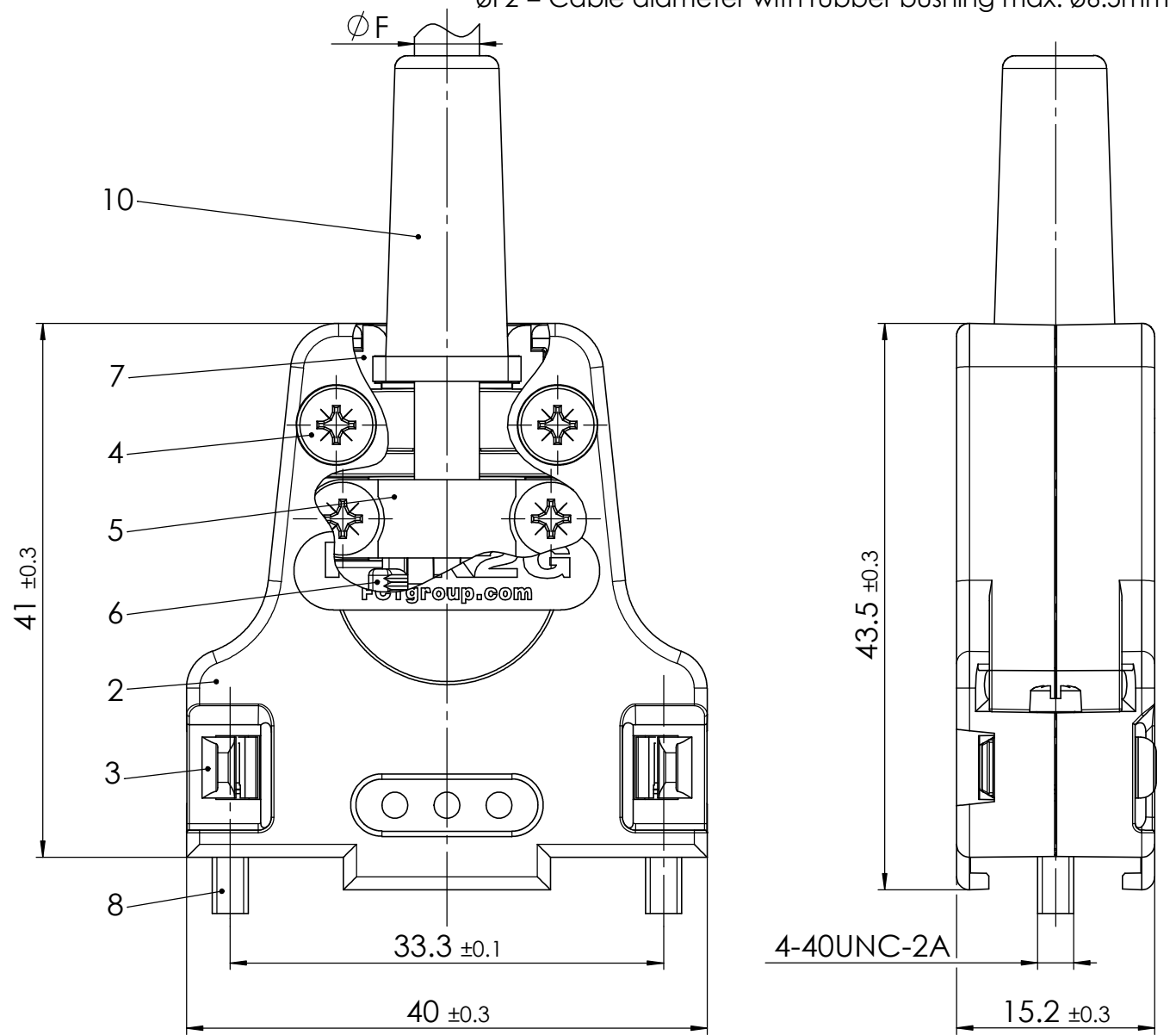


reverse side
1:1

RoHS compliant
by exemption

Packing unit on supplement AM0665
max. torque are 40 Ncm
Part-No. 4, 5, 10, 11 and 12 not mounted

ØF1 = Cable diameter without rubber bushing Ø3 - Ø8.5mm
ØF2 = Cable diameter with rubber bushing max. Ø6.5mm



12	2	High power contact	FMP003P103	20A / AWG 12-14
11	5	Crimp contact	FK20PL-02V	0.2µm Au / AWG 20-24
10	1	Rubber bushing	TPE	black
9	2	Locking screw	FVS1/5-K1163 M3 / Steel	nickel plated
8	2	Locking screw	FVS1/5-K1163 4-40 / Steel	nickel plated
7	2	Cable reduction plate	Zinc die-cast	nickel plated
6	1	Strain relief	ABS	nickel plated
5	1	Cable clamp	Steel	tin plated
4	4	Screw	Case hardened steel	zinc plated
3	2	Catch spring	PEI	black
2	1	Hood	FMK2G / Zinc die-cast	nickel plated
1	1	Mixed-Layout Connector	FL7W2P7-K120	
No.	St.	Part	Type Description / Material	Surface plating / Colour / Class

SYMBOLS					THIS DRAWING CONTAINS INFORMATION THAT IS PROPRIETARY TO MOLEX ELECTRONIC TECHNOLOGIES, LLC AND SHOULD NOT BE USED WITHOUT WRITTEN PERMISSION				
▽ = 0	▽ = 0	▽ = 0	▽ = 0	▽ = 0	DIMENSION UNITS	SCALE	MEASUREMENTS WITHOUT TOLERANCE ACC. TO	molex	
▽ = 0	▽ = 0	▽ = 0	▽ = 0	▽ = 0	mm	2:1	ISO 2768-m		
▽ = 0	▽ = 0	▽ = 0	▽ = 0	▽ = 0	CURRENT REVISION			PRODUCT CUSTOMER DRAWING	
▽ = 0	▽ = 0	▽ = 0	▽ = 0	▽ = 0	DRWN: DRAWN BY ameyerrichte 18-08-2021			MATERIAL NUMBER	
▽ = 0	▽ = 0	▽ = 0	▽ = 0	▽ = 0	APPR: APPR BY BWittek 14-09-2021			REVISION	
▽ = 0	▽ = 0	▽ = 0	▽ = 0	▽ = 0	INITIAL REVISION			1731140991	
▽ = 0	▽ = 0	▽ = 0	▽ = 0	▽ = 0	DRWN: DRAWN BY ameyerrichte 18-08-2021			DOCUMENT NUMBER	
▽ = 0	▽ = 0	▽ = 0	▽ = 0	▽ = 0	APPR: APPR BY BWittek 14-09-2021			FMK2G-7W2P7-6199	
▽ = 0	▽ = 0	▽ = 0	▽ = 0	▽ = 0	REV.	CH.-NO.	REPLACEMENT FOR:	CUSTOMER	SHEET NUMBER
▽ = 0	▽ = 0	▽ = 0	▽ = 0	▽ = 0			THIRD ANGLE PROJECTION	GENERAL MARKET	1 OF 1
▽ = 0	▽ = 0	▽ = 0	▽ = 0	▽ = 0			DRAWING		
▽ = 0	▽ = 0	▽ = 0	▽ = 0	▽ = 0			A3-SIZE		