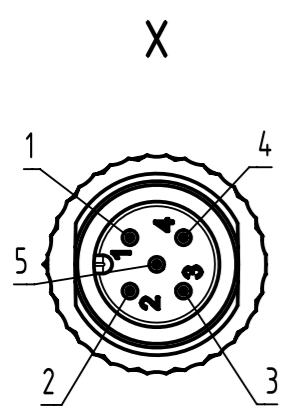


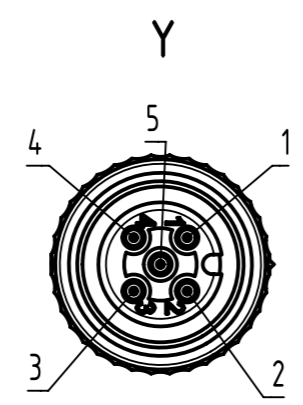
M12 A-coded 5-poles, male straight connector

M12 A-coded 5-poles, female straight connector

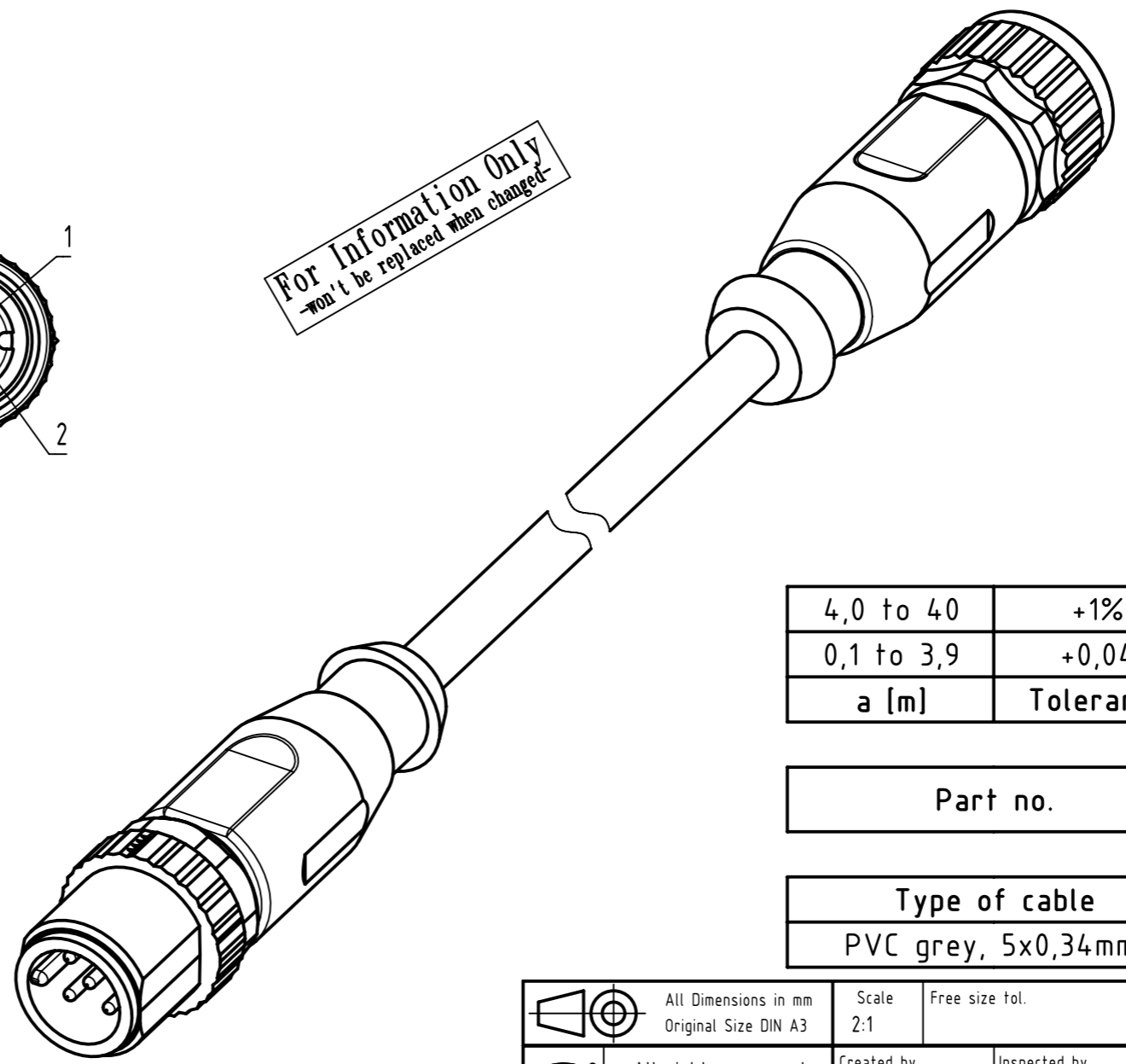


Loading-Plan:

- 1 brown 1
- 2 white 2
- 3 blue 3
- 4 black 4
- 5 green-yellow 5



For Information Only
won't be replaced when changed



- Protection level: IP67
- Temperature range: -25°C ... +80°C

length in "1m" step	40	XXX=400
	39	XXX=390
	.	.
	12	XXX=120
length in "0,1m" step	11	XXX=110
	10	XXX=100
	9,9	XXX=099
	9,8	XXX=098
	.	.
	0,4	XXX=004
	0,3	XXX=003
	0,2	XXX=002
	0,1	XXX=001
Step	a [m]	XXX

4,0 to 40	+1%
0,1 to 3,9	+0,04
a [m]	Tolerance

Part no.	213484855XXXXXX
----------	-----------------

Type of cable	XX
PVC grey, 5x0,34mm ²	XX=85

All rights reserved Department EC PD - RO		All Dimensions in mm Original Size DIN A3	Scale 2:1	Free size tol.	Ref. Sub.
HARTING Electronics GmbH D-32339 Espelkamp	Created by TOMUTA	Inspected by	Standardisation	Date 2014-05-23	State Checked Out
Title M12 A-coded Cable Assembly				Doc-Key / ECM-Nr. 100578788/UGD/009/A	
Type TB		Number 213484855XXXXXX		Rev. A	Page 1/1